

PARTS MANUAL

Model

**R1200
Generator**

PUB-GP0357
Rev. 8/98

HOW TO USE THIS PARTS CATALOG

1. Reference numbers with an asterisk

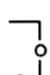
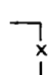

Reference numbers marked with an asterisk indicate that the particular part is available only as a complete set or assembly.

Example:

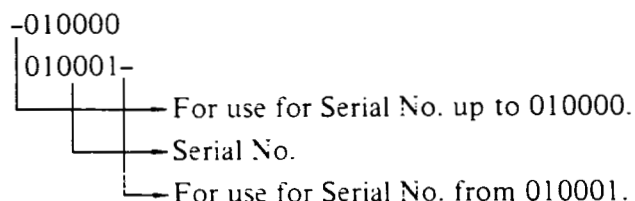
If the reference number is marked with an asterisk and the description of the part states that certain items are included, this means that those included items cannot be ordered separately and must be purchased as a complete assembly.

2. Description of interchangeability and execution columns

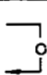


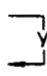
Example: Interchangeability column

-  Items interchangeable between the new and old parts
-  Items not interchangeable between the new and old parts
-  Items conditionally interchangeable between the new and old parts which are subject to the description in the execution column.

Example: Execution column



Example:

Part Number		Execution	Explanation
Part B Part A		020000-	This indicates that A-part changed to B-part for generators with serial numbers from 20000, and that they are interchangeable.
Part C Part B Part A	 	020000- 015000-	This indicates that A-part changed to B-part for generators with serial numbers from 15000, and that they are interchangeable. Also, B-part changed to C-part for generators with serial numbers from 20000 and that they are interchangeable.
Part A		020000-	This indicates that A-part is a new part for generators with serial numbers from 20000.
Part B		-030000	This indicates that B-part is no longer available for generators with serial numbers from 30001.
Part B Part A		020000-	This indicates that A-part changed to B-part for generators with serial numbers from 20000, and that they are conditionally interchangeable (see NOTE described at the end of the section).

CONTENTS

GENERATOR PARTS

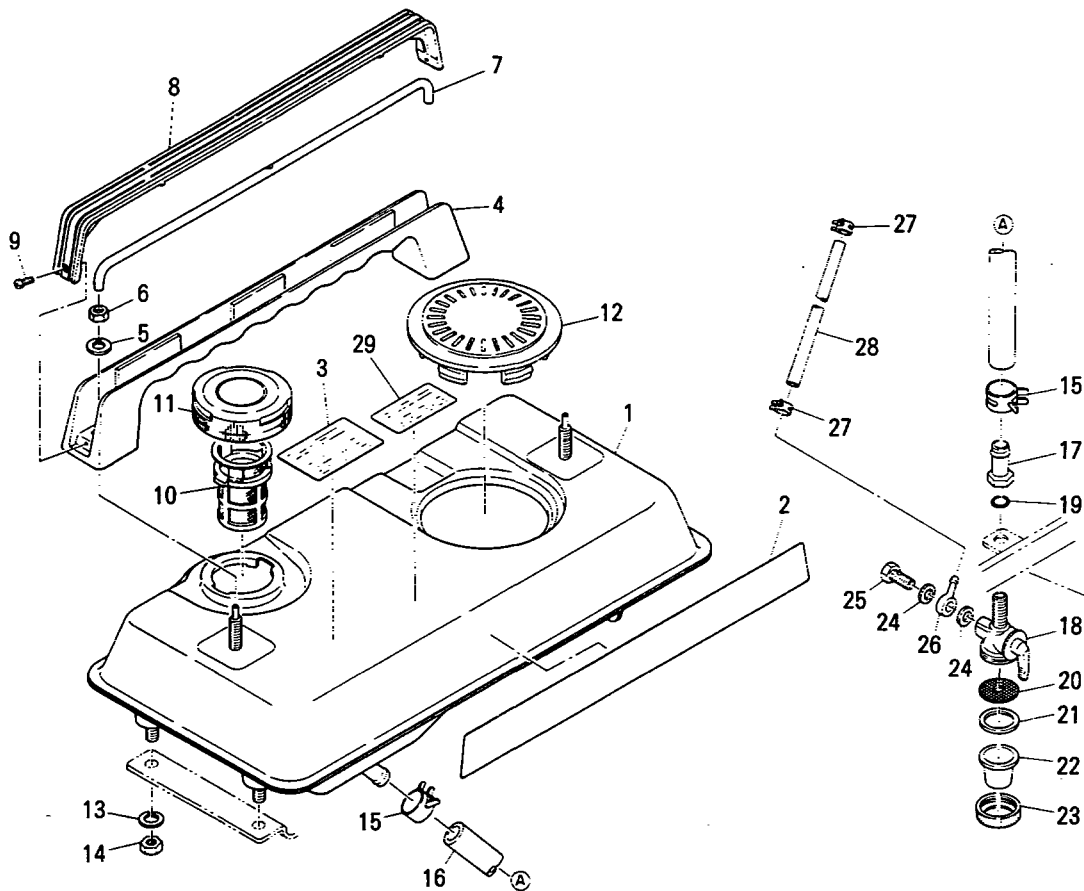
Fig. 1	FUEL TANK	1
Fig. 2	CONTROL PANEL	3
Fig. 3	GENERATOR	6
Fig. 4	COVER	7

ENGINE PARTS

Fig. 5	CRANKCASE and CYLINDER HEAD	9
Fig. 6	CRANKSHAFT, CAMSHAFT and PISTON	11
Fig. 7	GOVERNOR	12
Fig. 8	BLOWER HOUSING and MUFFLER	13
Fig. 9	CARBURETOR and AIR CLEANER	14
Fig. 10	MAGNETO	15
Fig. 11	RECOIL STARTER	16

Fig. 1 FUEL TANK

GENERATOR PARTS

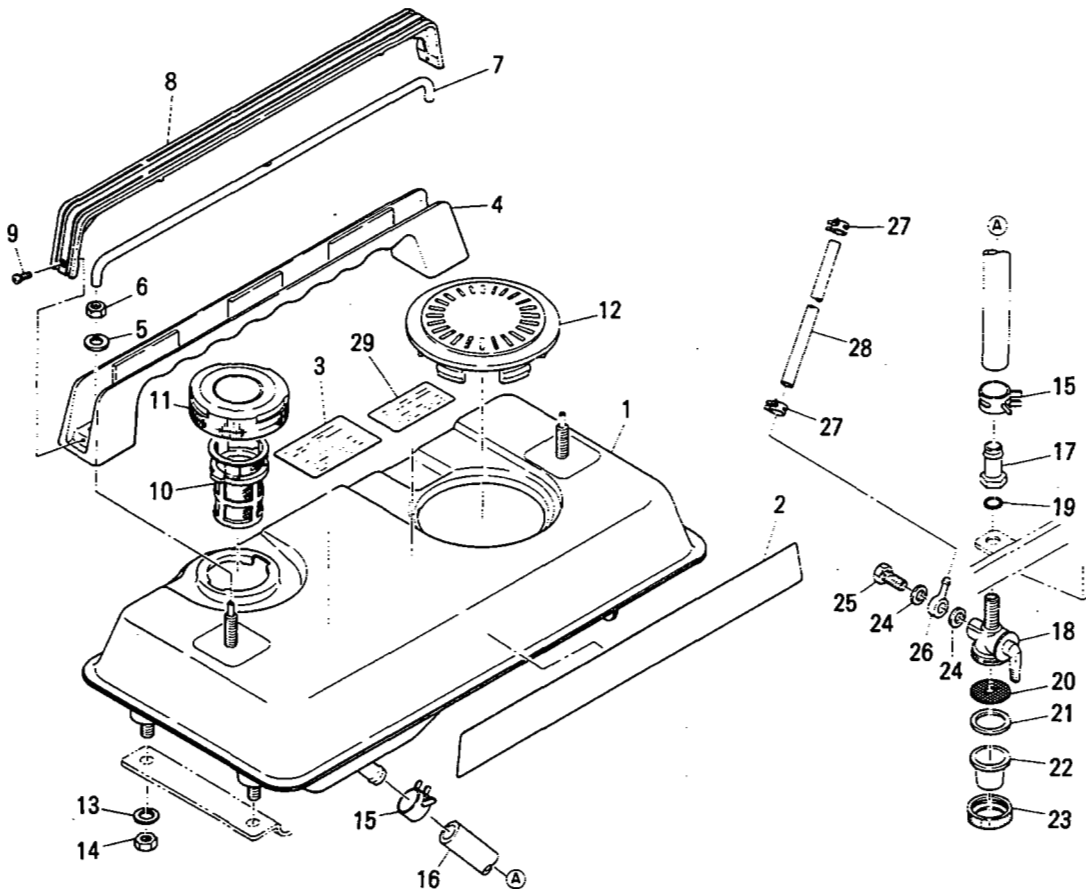


Interchangeability					Interchangeability				
Ref No.	Description	Part Number	Q'ty	Execution	Ref No.	Description	Part Number	Q'ty	Execution
1	FUEL TANK, complete (Color : RED)	350 60101 71	1		8	HANDLE COVER	350 65401 13	1	
1	FUEL TANK, complete (Color : RED)	350 60101 41	1		8	HANDLE COVER	350 65401 03	1	
1	FUEL TANK, complete (Color : RED)	350 60101 31	1		9	SCREW, pan head	004 31031 00	2	
1	FUEL TANK, complete (Color : BLACK)	350 60103 71	1		10	FUEL FILTER	064 13600 20	1	
1	FUEL TANK, complete (Color : BLACK)	350 60103 41	1		10	FUEL FILTER	064 13600 10	1	
1	FUEL TANK, complete (Color : BLACK)	350 60103 31	1		11	FUEL TANK CAP, complete	043 04300 41	1	
1	FUEL TANK, complete (Color : BLACK)	350 60103 31	1		11	FUEL TANK CAP, complete	043 04300 40	1	
2	LABEL, trade mark For STD. and CHINA	350 91701 03	1		12	PLUG COVER	227 66001 03	1	
2	LABEL, trade mark For FRANCE	350 91703 03	1		13	SPRING WASHER	003 20080 00	2	
3	LABEL, caution For STD.	073 20026 30	1		14	NUT	002 18080 00	2	
3	LABEL, caution For FRANCE	073 20026 62	1	15	HOSE CLAMP	056 11700 10	2		
3	LABEL, caution For CHINA	073 20029 60	1	16	RUBBER PIPE (11.5 φ × 17 φ × 135 mm)	085 11100 00	1		
4	HANDLE	350 65201 01	1	17	NUT, joint	053 30900 20	1		
5	SPRING WASHER	003 20080 00	2	*18	FUEL STRAINER ASSEMBLY Includes items 19 thru 28	064 20049 01	1		
6	NUT	002 18080 00	2	*18	FUEL STRAINER ASSEMBLY Includes items 19 thru 28	064 20049 00	1		
7	BREATHER PIPE	350 65501 03	1	19	"O" RING	064 20003 30	1		
				20	FILTER	064 20002 20	1		
				21	PACKING	064 20002 30	1		
				22	CUP	064 20002 10	1		
				23	LOCK NUT, cup	064 20024 10	1		

When ordering parts: Always give the Model, Specification and Serial Number of Generator.

Fig. 1 FUEL TANK

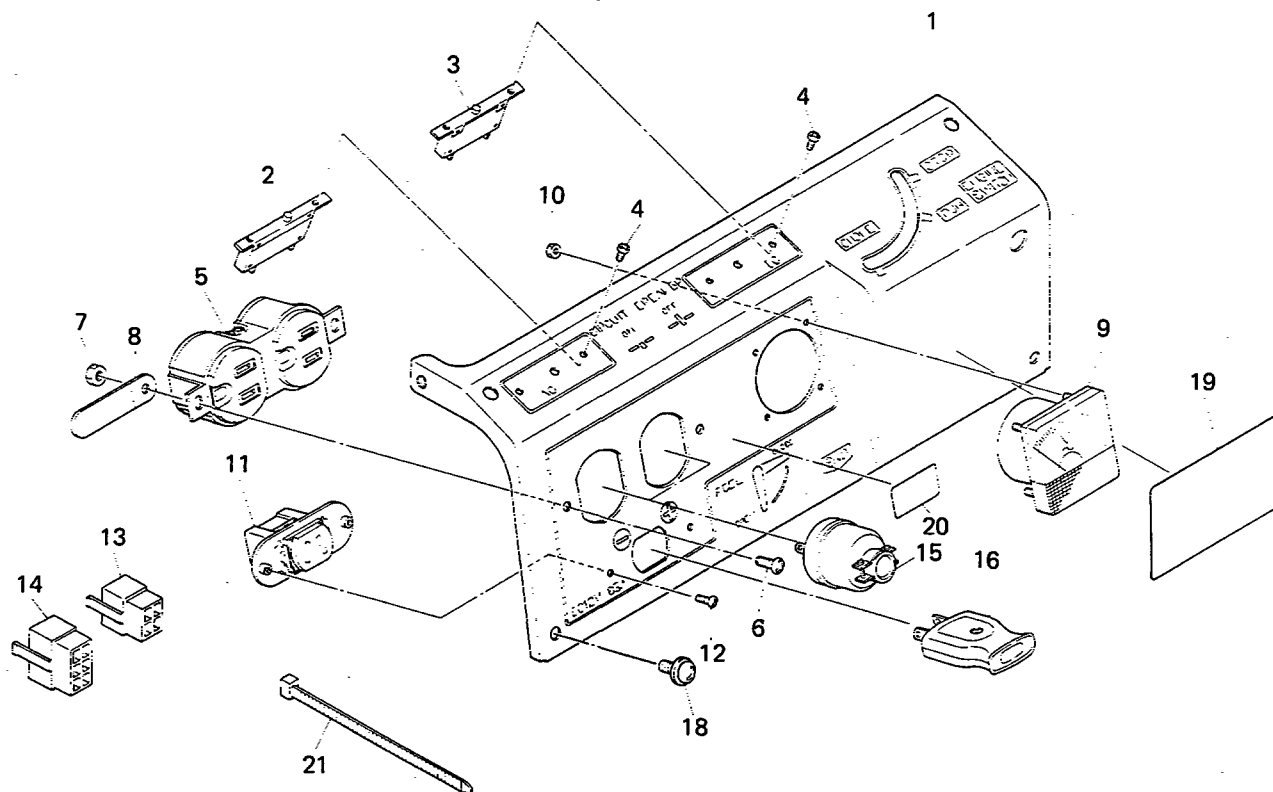
GENERATOR PARTS



Ref No.	Description	Part Number	Interchangeability		Ref No.	Description	Part Number	Interchangeability	
			Q'ty	Execution				Q'ty	Execution
24	FIBER PACKING	064 20002 50	2						
25	BANJO BOLT	064 20002 40	1						
26	BANJO	052 10700 42	1						
27	HOSE CLAMP	056 11100 20	2						
28	RUBBER PIPE (6 φ × 12 φ × 140 mm)	085 10600 00	1						
29	LABEL, oil caution For CHINA	073 20030 80	1						

When ordering parts: Always give the Model, Specification and Serial Number of Generator.

Fig. 2 CONTROL PANEL

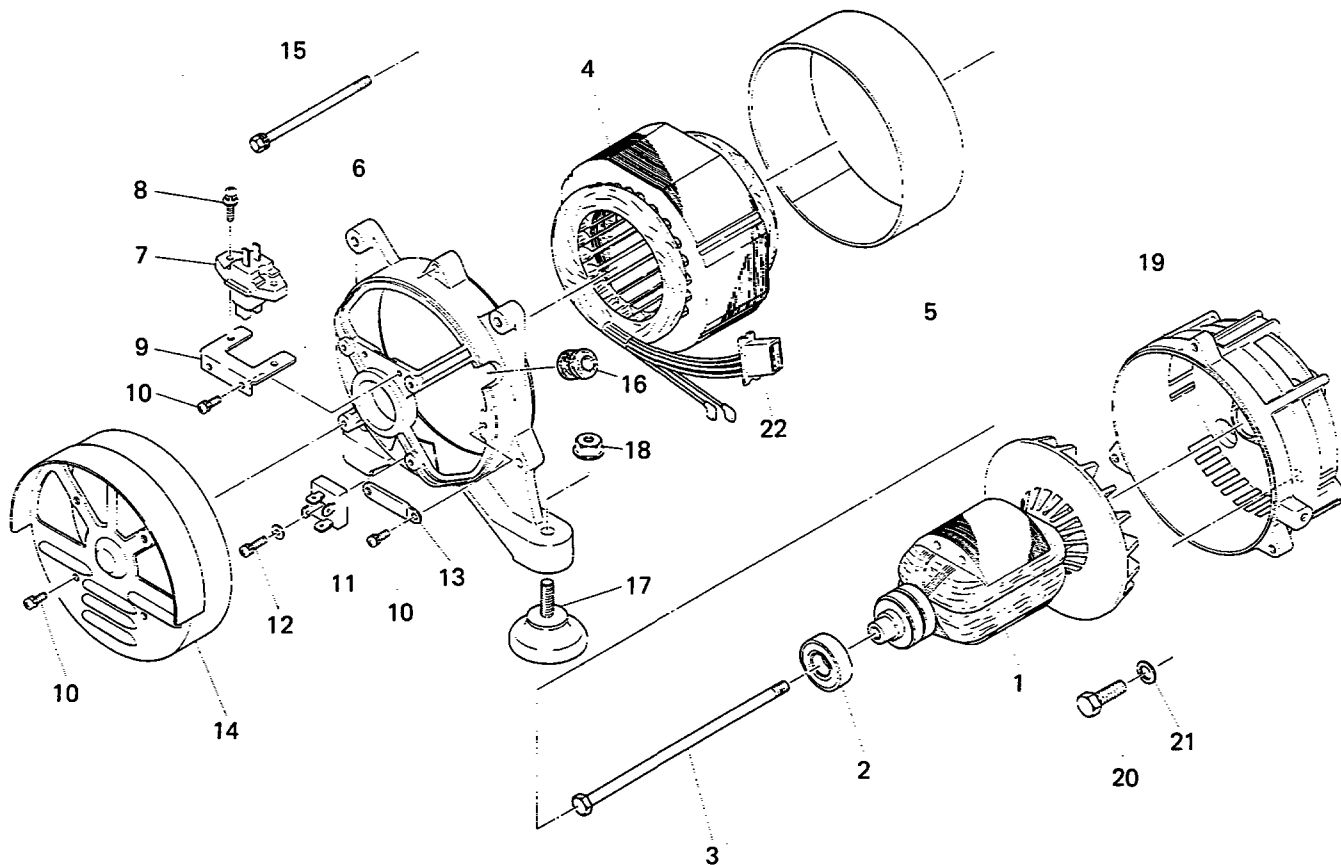


Interchangeability					Interchangeability				
Ref No.	Description	Part Number	Q'ty	Execution	Ref No.	Description	Part Number	Q'ty	Execution
1	CONTROL PANEL, complete	350 40601 31	1		5	AC RECEPTACLE (125V-15A) For 110V	320 59850 08	1	
1	CONTROL PANEL, complete	350 40601 11	1		5	AC RECEPTACLE (NEMA) (125V-15A) For U.S.A.	356 45712 08	1	
1	CONTROL PANEL, complete For GERMANY	350 40615 01	1		5	AC RECEPTACLE For GERMANY	358 40614 08	2	
1	CONTROL PANEL, complete For AUSTRALIA	350 40612 01	1		5	AC RECEPTACLE For AUSTRALIA	358 40613 08	1	
1	CONTROL PANEL, complete For ENGLAND (BF)	350 40613 01	1		5	AC RECEPTACLE For ENGLAND (BF)	358 40616 08	1	
1	CONTROL PANEL, complete For SWITZERLAND	350 40616 01	1		5	AC RECEPTACLE For ENGLAND (BF)	358 40616 08	1	
1	CONTROL PANEL, complete For FRANCE	350 40610 21	1		5	AC RECEPTACLE For SWITZERLAND	358 40617 08	1	
1	CONTROL PANEL, complete For ENGLAND (BS 4343)	350 40618 01	1		5	AC RECEPTACLE For FRANCE	358 40612 08	1	
2	CIRCUIT BREAKER (10A) For 50Hz-110V, 60Hz-110V, 120V	352 45620 08	1		5	AC RECEPTACLE For ENGLAND (BS 4343)	353 45725 08	1	
2	CIRCUIT BREAKER (5A) For 50Hz-220V, 230V, 240V	350 40605 08	1		6	SCREW and WASHER ASSEMBLY	004 35041 00	2	
2	CIRCUIT BREAKER (6.3A) For 60Hz-220V	350 40606 08	1		6	SCREW For GERMANY	004 11031 20	8	
3	CIRCUIT BREAKER (10A) (DC)	352 45620 08	1		6	SCREW For AUSTRALIA	350 49910 08	2	
4	SCREW and WASHER ASSEMBLY	004 35030 60	4		6	SCREW and WASHER ASSEMBLY For ENGLAND (BF)	350 49909 18	2	
5	AC RECEPTACLE (250V-15A) For 220V, 230V, 240V	320 75121 08	1		6	SCREW, pan head For SWITZERLAND	004 31032 00	2	

When ordering parts: Always give the Model, Specification and Serial Number of Generator.

Fig. 3 GENERATOR

GENERATOR PARTS



Interchangeability

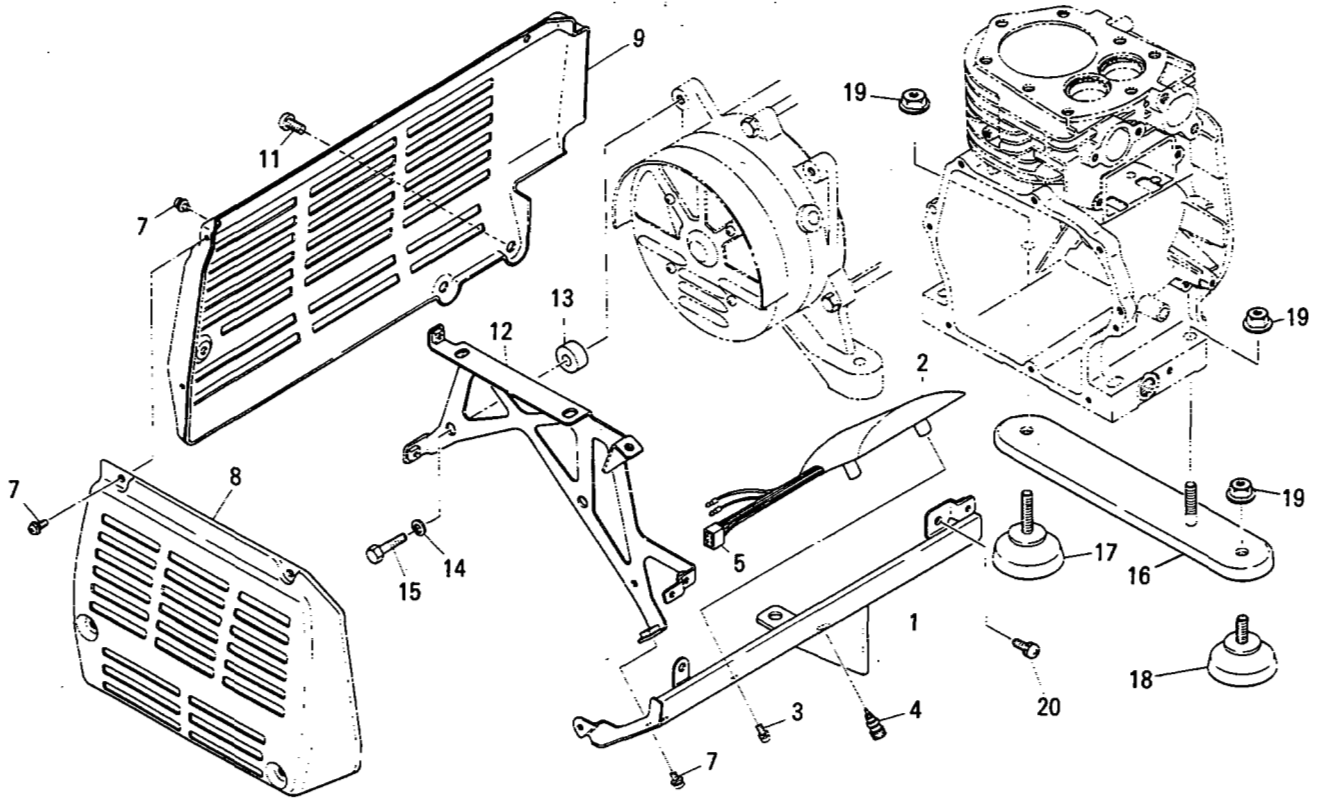
Interchangeability

Ref No.	Description	Part Number	Q'ty	Execution	Ref No.	Description	Part Number	Q'ty	Execution
* 1	ROTER, complete Includes item 2	350 21015 08	1		15	BOLT and WASHER ASSEMBLY	013 00600 90	3	
2	BALL BEARING	360 58201 08	1		15	BRACKET BOLT	366 59910 08	3	
3	THROUGH BOLT	010 00803 30	1		16	GROMMET	350 21055 08	1	
3	THROUGH BOLT	361 58002 08	1		17	MOUNT, complete (L=36mm) For 50Hz	350 30101 01	2	
4	STATOR, complete For 50Hz-110V	350 21021 08	1		17	MOUNT, complete (L=36mm) For 60Hz	350 30103 01	2	
4	STATOR, complete For 50Hz-220V, 230V, 240V	350 21022 08	1		18	FLANGE NUT	002 38080 00	2	
4	STATOR, complete For 60Hz-110V, 120V	350 21023 08	1		19	FRONT BRACKET	350 21056 08	1	
4	STATOR, complete For 60Hz-220V	350 21024 08	1		20	BOLT	001 66081 80	4	
5	STATOR COVER	350 21050 08	1		21	SPRING WASHER	003 20080 00	4	
6	REAR BRACKET	350 21051 08	1		22	CONNECTOR (6P)	353 47200 08	1	
7	BRUSH HOLDER	365 55002 08	1						
8	SCREW ASSEMBLY	004 36052 00	2						
9	BRUSH HOLDER BASE	350 21052 08	1						
10	SCREW and WASHER ASSEMBLY	013 10500 20	7						
10	SCREW ASSEMBLY	004 36051 00	7						
11	DIODE STACK ASSEMBLY	353 45804 08	1						
12	SCREW ASSEMBLY	350 21057 08	1						
13	CLAMP	350 21053 08	1						
14	END COVER	350 21054 08	1						

When ordering parts: Always give the Model, Specification and Serial Number of Generator.

Fig. 4 COVER

GENERATOR PARTS

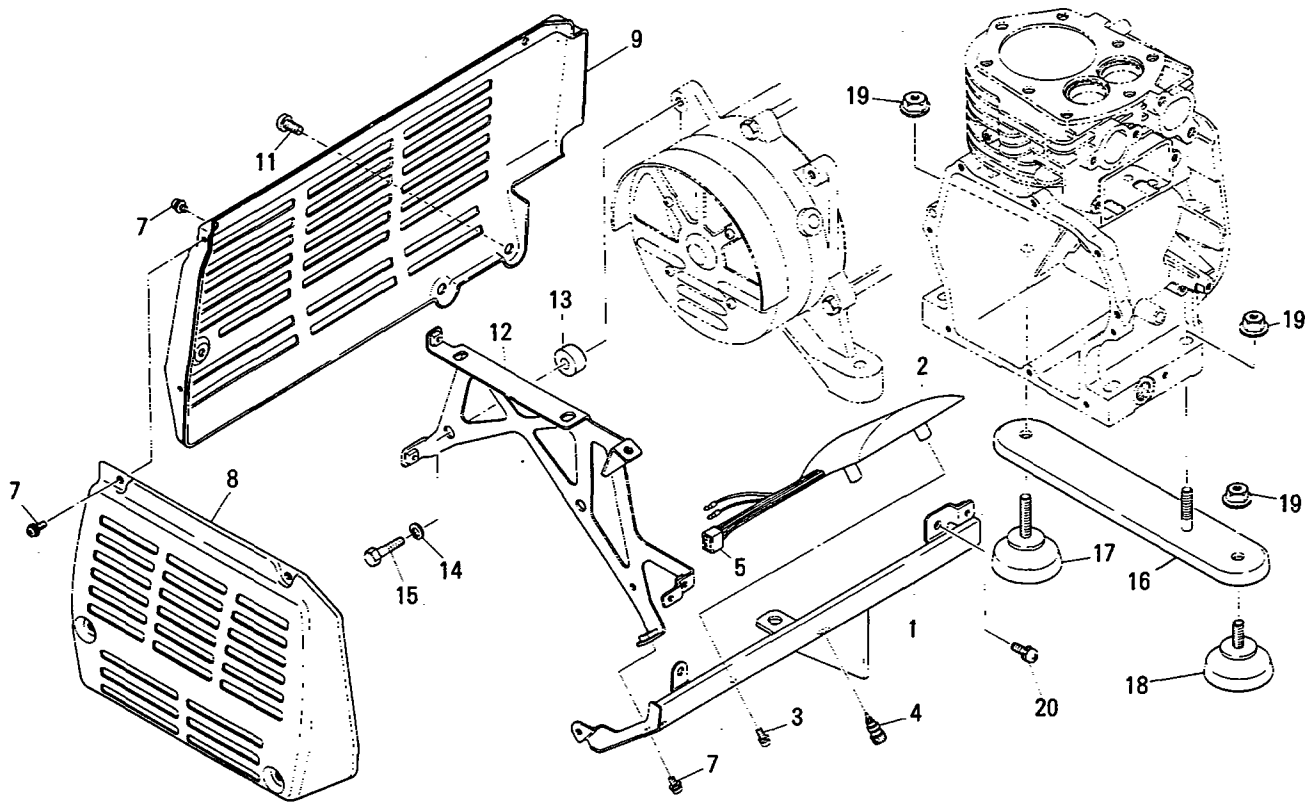


Ref No.	Description	Part Number	Interchangeability		Ref No.	Description	Part Number	Interchangeability	
			Q'ty	Execution				Q'ty	Execution
1	FRONT COVER, complete (Color : WHITE)	350 50101 01	1		* 2	AVR, complete Includes item 5 For 230V	350 24004 01	1	○
1	FRONT COVER, complete (Color : YELLOW)	350 50102 01	1		* 2	AVR, complete Includes item 5 For 50Hz-230V	350 21003 08	1	○
* 2	AVR, complete Includes item 5 For 110V	350 24001 01	1	○	* 2	AVR, complete Includes item 5 For 240V	350 24005 01	1	○
* 2	AVR, complete Includes item 5 For 50Hz-110V	350 21001 08	1	○	* 2	AVR, complete Includes item 5 For 50Hz-240V	350 21004 08	1	○
* 2	AVR, complete Includes item 5 For 60Hz-110V	350 21005 08	1	○	3	SCREW and WASHER ASSEMBLY	004 35040 80	2	
* 2	AVR, complete Includes item 5 For 120V	350 24002 01	1	○	4	TERMINAL BOLT (Color : BLACK)	363 45700 08	1	
* 2	AVR, complete Includes item 5 For 60Hz-120V	350 21006 08	1	○	5	CONNECTOR (4P)	353 47201 08	1	
* 2	AVR, complete Includes item 5 For 220V	350 24003 01	1	○	7	SCREW and WASHER ASSEMBLY	013 10500 20	8	○
* 2	AVR, complete Includes item 5 For 50Hz-220V	350 21002 08	1	○	7	SCREW, pan head	004 31050 80	10	○
* 2	AVR, complete Includes item 5 For 60Hz-220V	350 21006 08	1	○	8	SIDE COVER (Color : WHITE)	350 51601 01	1	
					8	SIDE COVER (Color : YELLOW)	350 51602 01	1	
					9	REAR COVER, complete (Color : WHITE)	350 50601 01	1	
					9	REAR COVER, complete (Color : YELLOW)	350 50602 01	1	

When ordering parts: Always give the Model, Specification and Serial Number of Generator.

Fig. 4 COVER

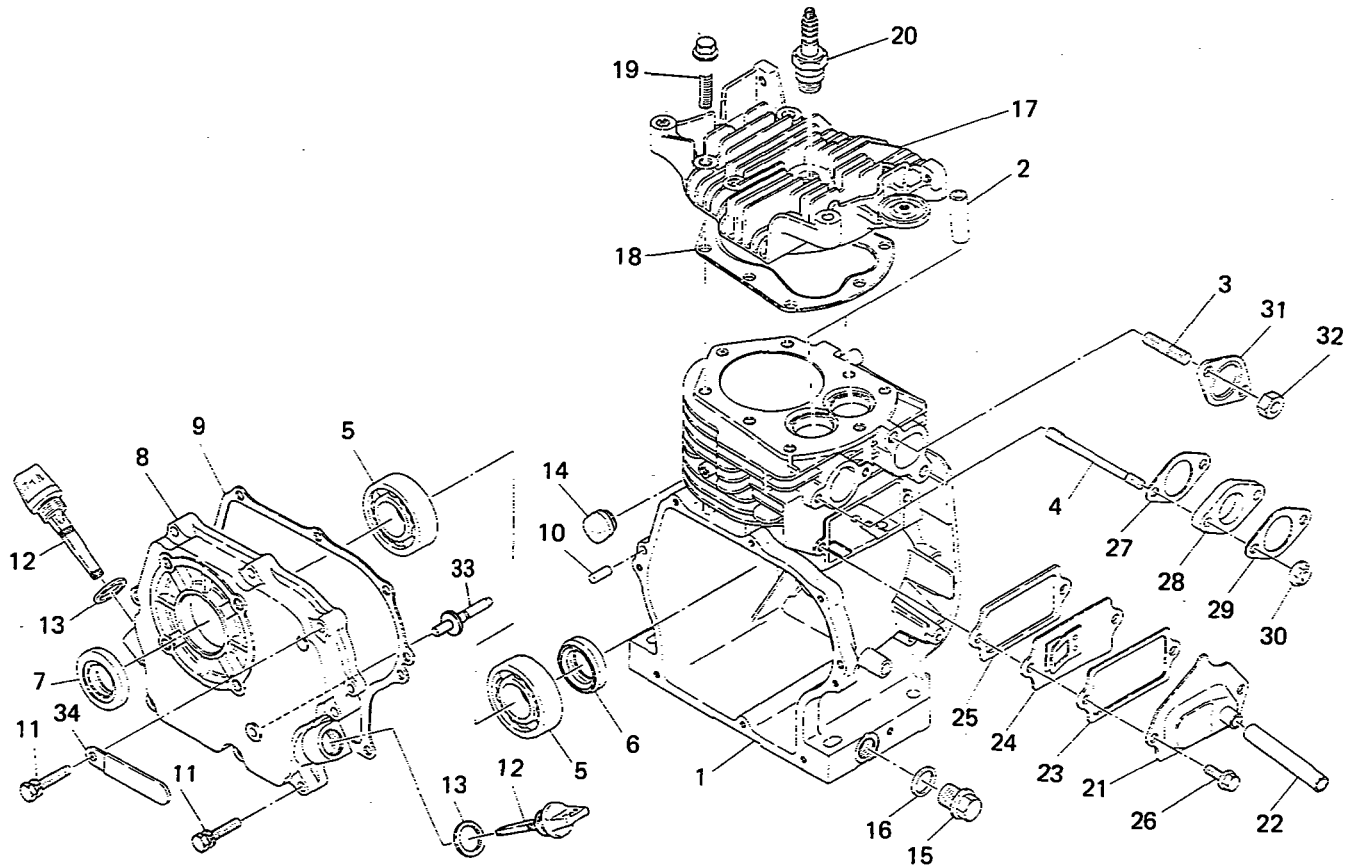
GENERATOR PARTS



Ref No.	Description	Part Number	Q'ty	Interchangeability		Ref No.	Description	Part Number	Q'ty	Interchangeability	
				Execution						Execution	
11	SCREW, pan head	004 31081 00	2								
12	BRACKET, complete, cover	350 35101 11	1								
12	BRACKET, complete, cover	350 35101 01	1								
13	SPACER	023 00801 01	2								
14	SPRING WASHER	003 20080 00	2								
15	BOLT	001 65083 00	2								
16	MOUNT BRACKET, complete	350 30701 21	1								
16	MOUNT BRACKET	350 30701 01	1								
17	MOUNT, complete (L=36mm) For 50Hz	350 30101 01	1								
17	MOUNT, complete (L=36mm) For 60Hz	350 30103 01	1								
18	MOUNT, complete (L=18mm) For 50Hz	350 30102 01	1								
18	MOUNT, complete (L=18mm) For 60Hz	350 30104 01	1								
19	FLANGE NUT	002 38080 00	3								
20	SCREW and WASHER ASSEMBLY	004 34051 00	2								

When ordering parts: Always give the Model, Specification and Serial Number of Generator.

Fig. 5 CRANKCASE and CYLINDER HEAD

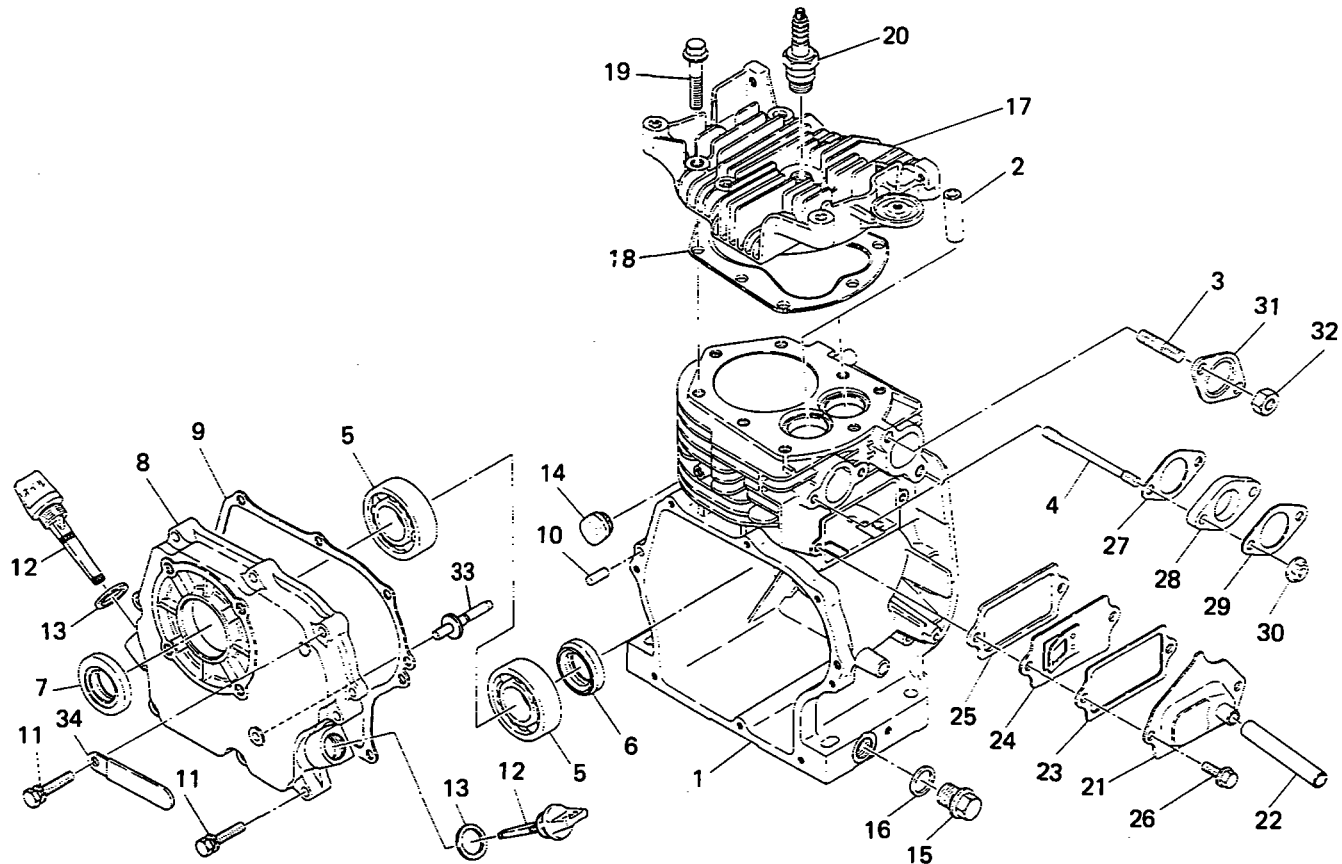


Interchangeability					Interchangeability				
Ref No.	Description	Part Number	Q'ty	Execution	Ref No.	Description	Part Number	Q'ty	Execution
* 1	CRANKCASE, complete Includes items 2 thru 6 and 10	226 10101 01	1		13	GASKET	021 31600 10	2	
2	VALVE GUIDE, over size	227 14202 03	2		14	GROMMET	227 75001 03	1	
3	STUD	010 50802 50	2		15	PLUG	040 11400 30	2	
4	STUD	010 50601 20	2		16	GASKET	021 11400 20	2	
5	BALL BEARING (BB-6205C 3)	060 02500 10	2		17	CYLINDER HEAD	226 13101 13	1	
6	OIL SEAL (TB-25 φ × 38 φ × 7)	044 02501 50	1		18	GASKET, complete, head	226 15001 11	1	
6	OIL SEAL (TB-25 φ × 38 φ × 7)	044 02500 70	1		19	FRANGE BOLT	011 00800 10	8	
7	OIL SEAL (TB-25 φ × 41.24 φ × 7.3)	044 02500 20	1		20	SPARK PLUG (NGK-BR 6HS)	065 01401 50	1	
* 8	MAIN BEARING COVER, complete Includes items 5, 7 and 33	227 11001 21	1		21	TAPPET COVER, complete	227 14301 01	1	
* 8	MAIN BEARING COVER, complete Includes items 5, 7 and 33	227 11001 11	1		22	RUBBER PIPE (8 φ × 11 φ × 75 mm)	085 10800 00	1	
* 8	MAIN BEARING COVER, complete Includes items 5, 7 and 33	227 11001 01	1		23	GASKET, tappet cover	227 16006 03	1	
9	GASKET, bearing cover	227 16001 03	1		24	BREATHER PLATE, complete	227 14401 01	1	
10	DOWEL PIN	031 00600 20	2		25	GASKET, breather plate	227 16007 03	1	
11	BOLT and WASHER ASSEMBLY	013 00600 40	8		26	FLANGE BOLT	011 00600 20	2	
12	OIL GAUGE	227 63601 03	2		27	GASKET, insulator	227 35901 03	1	
					28	INSULATOR	227 32901 03	1	
					29	GASKET 2, insulator	227 35902 03	1	
					30	FLANGE NUT	002 38060 00	2	
					31	GASKET, complete, exhaust	226 35201 01	1	
					32	NUT	002 19080 00	2	
					34	CLAMP	214 79002 01	1	

When ordering parts: Always give the Model, Specification and Serial Number of Generator.

Fig. 5 CRANKCASE and CYLINDER HEAD

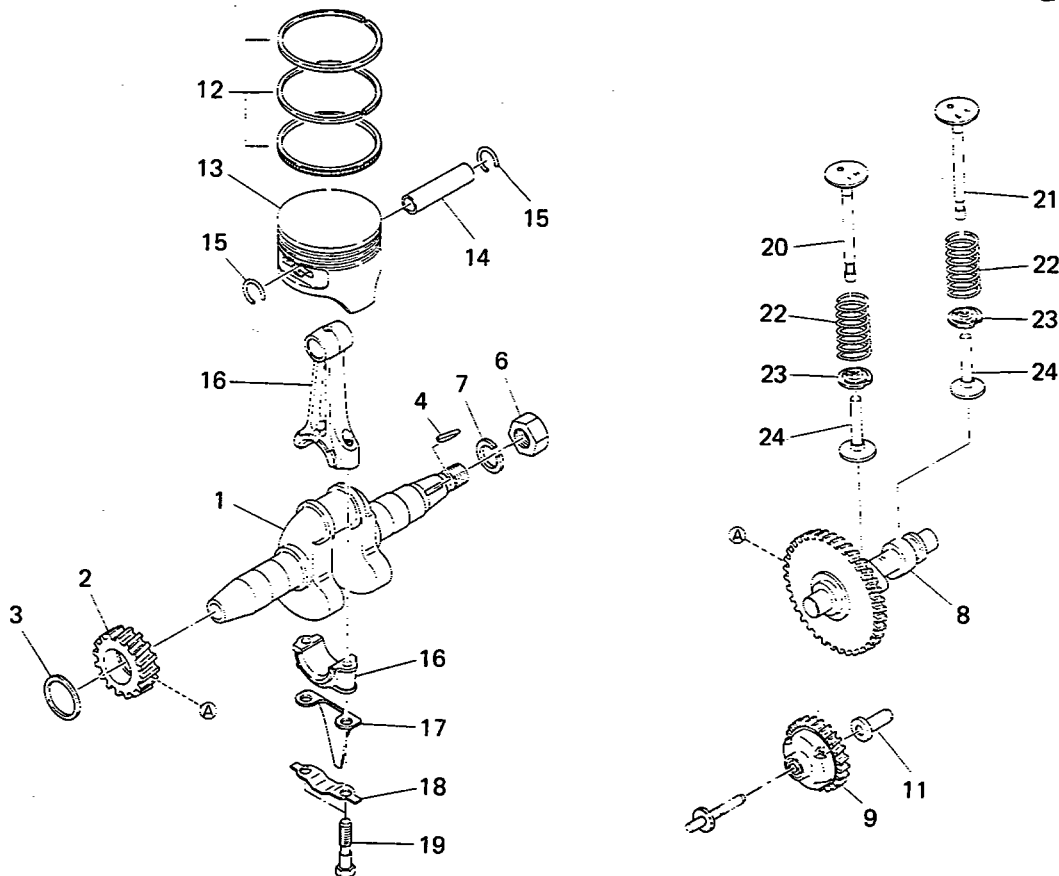
ENGINE PARTS



Ref No.	Description	Part Number	Interchangeability			Ref No.	Description	Part Number	Interchangeability		
			Q'ty	Execution	Execution				Q'ty	Execution	Execution
*	GASKET SET Includes items 9, 13, 18, 23, 25, 27, 29 and 31	226 99001 07	1								

When ordering parts: Always give the Model, Specification and Serial Number of Generator.

Fig. 6 CRANKSHAFT, CAMSHAFT and PISTON

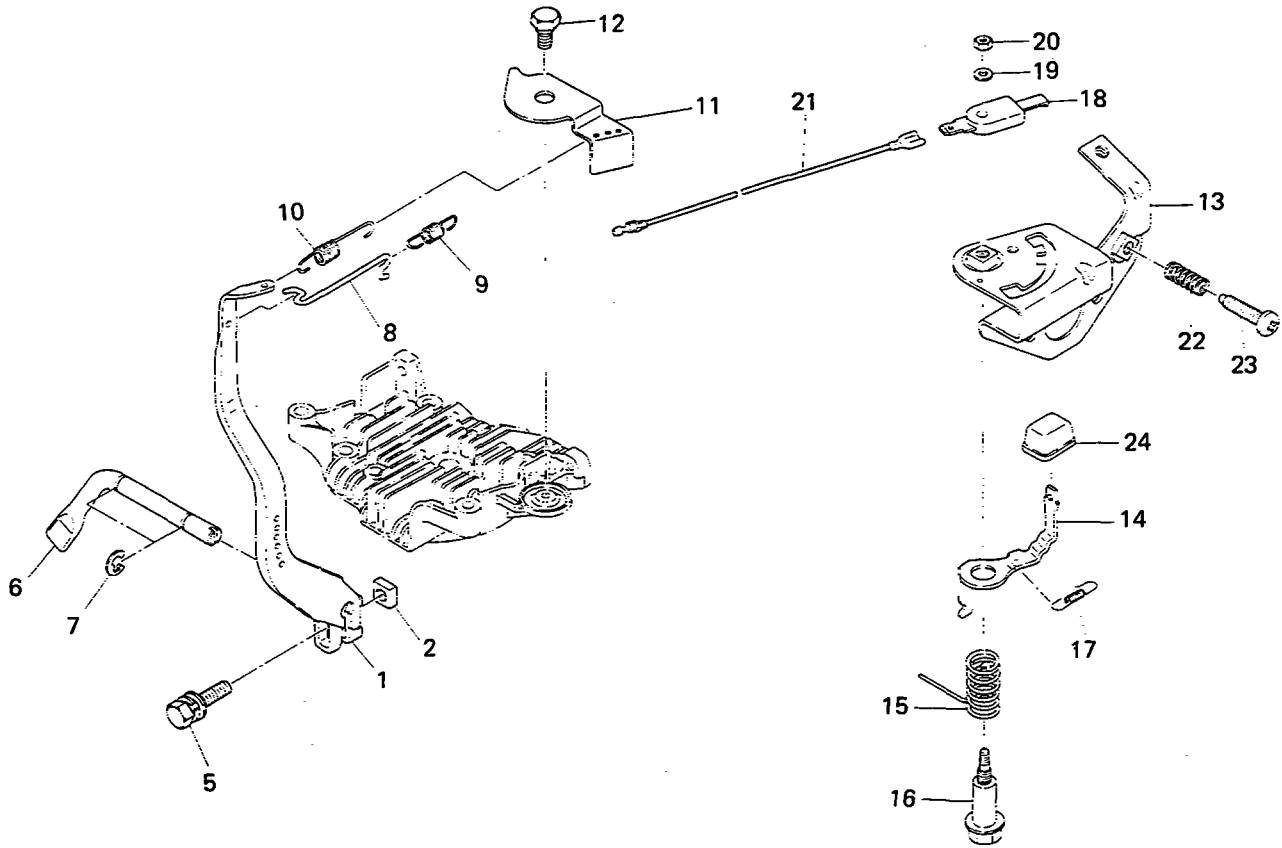


Ref No.	Description	Part Number	Q'ty	Interchangeability		Ref No.	Description	Part Number	Q'ty	Interchangeability	
				Execution						Execution	
* 1	CRANKSHAFT, complete Includes item 2	226 20202 01	1			17	OIL SCRAPER	226 23101 03	1		
3	SPACER, t=0.6	023 02501 10	1			18	ROD LOCK WASHER	205 23201 03	1		
3	SPACER, t=0.8	023 02501 20	1			19	CONNECTING ROD BOLT	226 23001 03	2		
3	SPACER, t=1.0	023 02501 30	1			20	INTAKE VALVE	226 33401 03	1		
4	WOODRUFF KEY	032 30300 10	1			21	EXHAUST VALVE	226 33501 03	1		
6	NUT	002 18140 00	1			22	VALVE SPRING	227 33601 03	2		
7	SPRING WASHER	008 20140 00	1			23	SPRING RETAINER	227 33701 03	2		
8	CAMSHAFT	226 31701 13	1			24	TAPPET	226 33301 03	2		
9	GOVERNOR GEAR, complete	227 45003 01	1								
11	GOVERNOR SLEEVE	205 41901 03	1								
12	PISTON RING SET (STD.)	226 23501 07	1								
12	PISTON RING SET, over size 0.25 mm	226 23502 07	1								
12	PISTON RING SET, over size 0.50 mm	226 23503 07	1								
13	PISTON (STD.)	226 23401 03	1								
13	PISTON, over size 0.25 mm	226 23402 03	1								
13	PISTON, over size 0.50 mm	226 23403 03	1								
14	PISTON PIN	214 23301 03	1								
15	CLIP	056 51400 10	2								
*16	CONNECTING ROD ASSEMBLY Includes items 17 thru 19	226 22511 00	1								

When ordering parts: Always give the Model, Specification and Serial Number of Generator.

Fig. 7 GOVERNOR

ENGINE PARTS

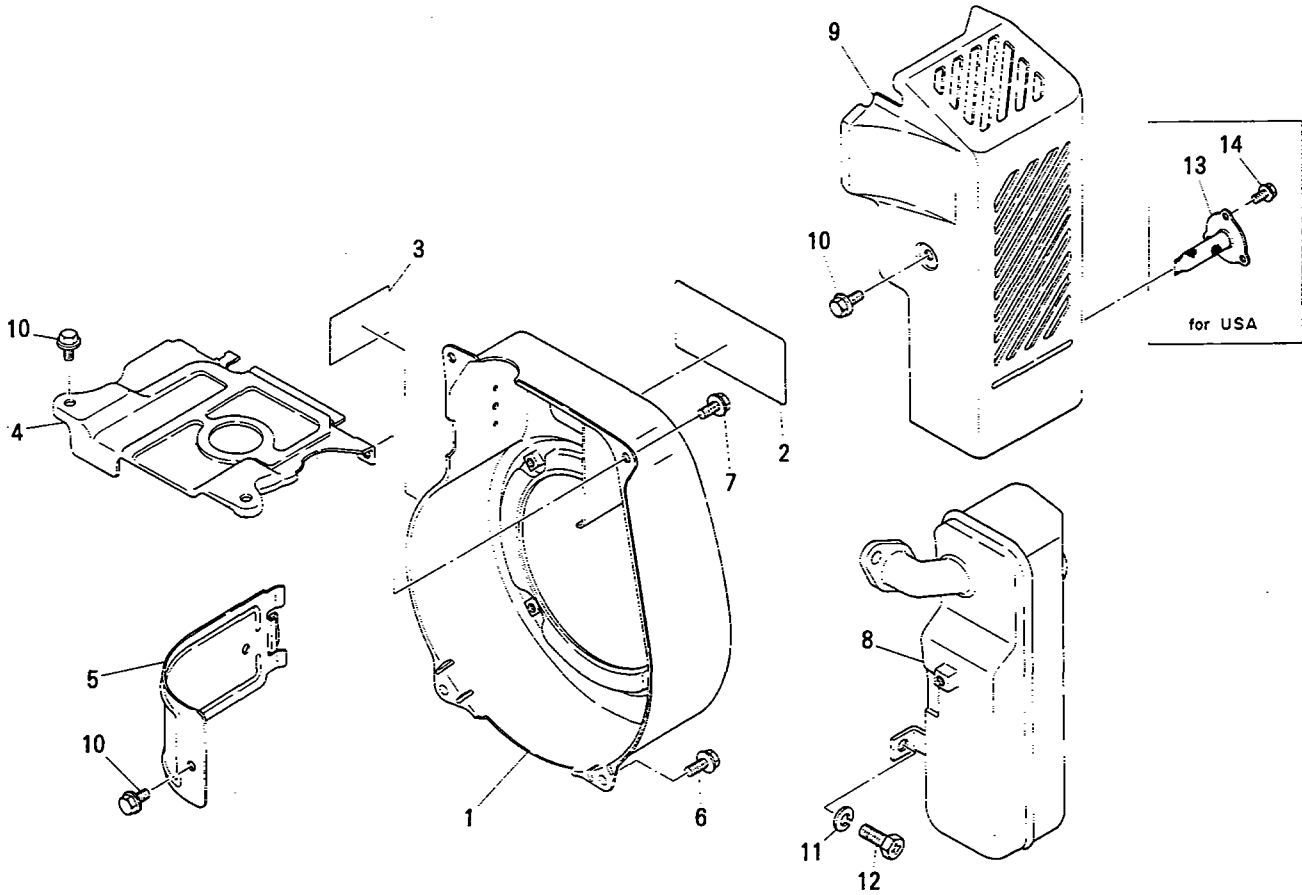


Ref. No.	Description	Part Number	Q'ty	Interchangeability		Ref. No.	Description	Part Number	Q'ty	Interchangeability	
				Execution						Execution	
1	GOVERNOR LEVER, complete	226 42301 01	1			18	STOP SWITCH, complete	226 72702 01	1		
2	NUT	018 60600 20	1			19	WASHER	003 10040 00	1		
5	BOLT and WASHER ASSEMBLY	001 14062 50	1			20	NUT	002 17040 00	1		
6	GOVERNOR SHAFT	227 42201 03	1			21	WIRE 10, complete	226 73110 01	1		
7	CLIP	003 13060 00	2			22	SPRING, adjust	226 48002 01	1		
8	GOVERNOR ROD	227 42701 01	1			23	SCREW, adjust	226 48004 01	1		
9	ROD SPRING	227 42801 01	1			24	KNOB	226 43901 13	1		
10	GOVERNOR SPRING For 50Hz	226 42506 01	1			24	KNOB	226 43901 03	1		
10	GOVERNOR SPRING For 50Hz	226 42502 11	1								
10	GOVERNOR SPRING For 60Hz	226 42501 11	1								
11	SPEED CONTROL	226 43304 01	1								
12	BOLT	226 48003 01	1								
13	CONTROL BRACKET, complete	226 47101 11	1								
13	CONTROL BRACKET, complete	226 47101 01	1								
14	CONTROL LEVER	226 45301 11	1								
14	CONTROL LEVER	226 45301 01	1								
15	SPRING, control	226 45004 01	1								
16	BOLT, control	226 48001 01	1								
17	SPRING, choke	226 48005 01	1								

When ordering parts: Always give the Model, Specification and Serial Number of Generator.

Fig.8 BLOWER HOUSING and MUFFLER

ENGINE PARTS

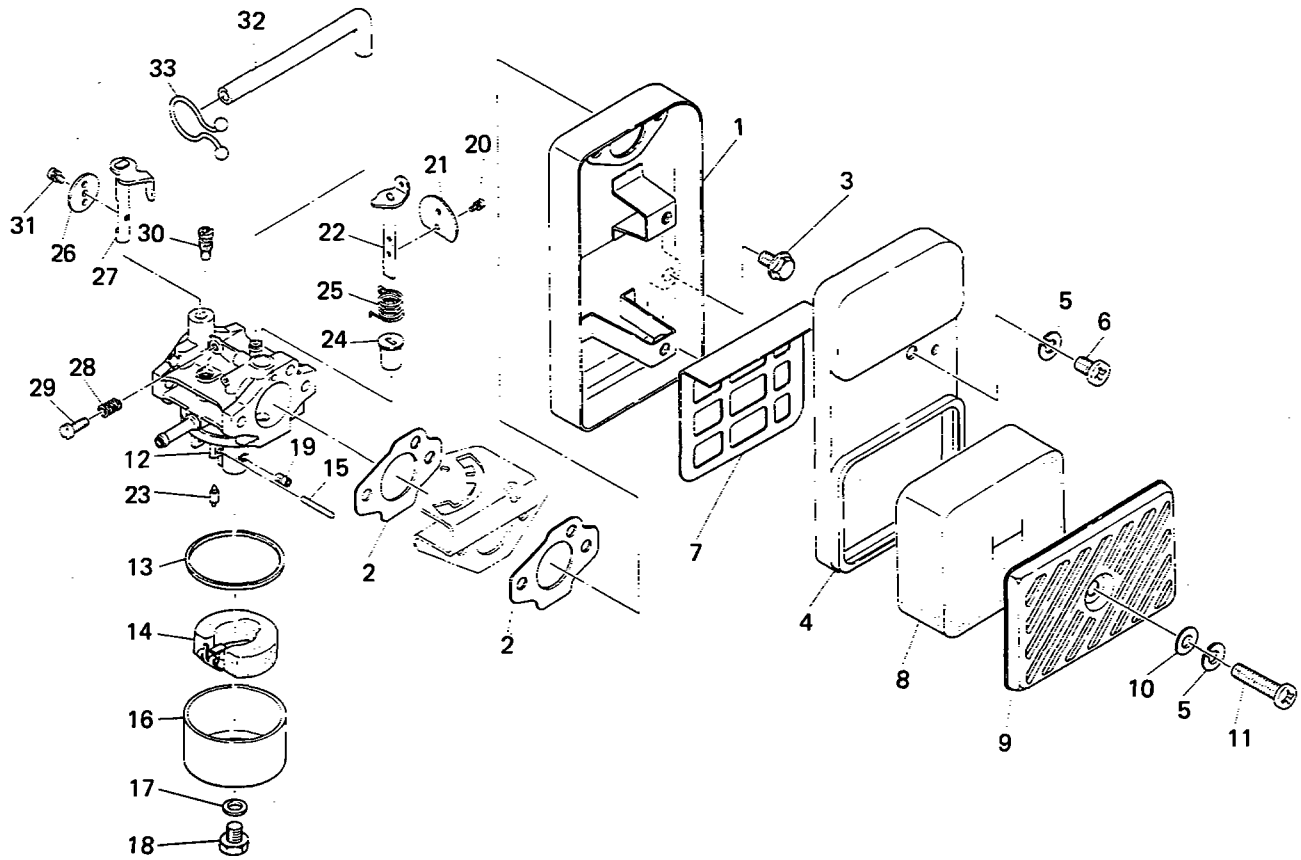


Ref. No.	Description	Part Number	Q'ty	Execution	Interchangeability				
					Ref. No.	Description	Part Number	Q'ty	Execution
* 1	BLOWER HOUSING, complete Includes items 2 and 3 (Color: RED) For STD.	226 51247 01	1		3	LABEL, oil For FRANCE	073 20026 80	1	
					3	LABEL, oil For CHINA	073 20029 90	1	
* 1	BLOWER HOUSING, complete Includes items 2 and 3 (Color: BLACK) For STD.	226 51292 01	1		4	HEAD COVER	226 52802 13	1	⊗
					4	HEAD COVER	226 52802 03	1	⊗
* 1	BLOWER HOUSING, complete Includes items 2 and 3 (Color: RED) For FRANCE	226 51293 01	1		5	CYLINDER BAFFLE	226 52602 03	1	
* 1	BLOWER HOUSING, complete Includes items 2 and 3 (Color: BLACK) For FRANCE	226 51296 01	1		6	FLANGE BOLT	011 00600 20	2	
					7	FLANGE BOLT	011 00600 30	2	
* 1	BLOWER HOUSING, complete Includes items 2 and 3 (Color: BLACK) For CHINA	226 51339 01	1		8	MUFFLER, complete	226 30301 11	1	
					8	MUFFLER, complete For SPARK ARRESTER For U.S.A.	226 30302 01	1	
* 1	BLOWER HOUSING, complete Includes items 2 and 3 (Color: RED) For CHINA	226 51340 01	1		9	MUFFLER COVER, complete	226 34206 11	1	⊗
					9	MUFFLER COVER, complete	226 34206 01	1	⊗
* 1	BLOWER HOUSING, complete Includes items 2 and 3 (Color: BLACK) For CHINA	226 51340 01	1		10	FLANGE BOLT	011 00600 10	6	
2	LABEL, trade mark For STD. and CHINA	226 91747 03	1		11	SPRING WASHER	003 20060 00	1	
2	LABEL, trade mark For FRANCE	226 91748 03	1		12	BOLT CROSS RECESS	001 70061 20	1	
3	LABEL, oil For STD.	073 20025 90	1		13	SPARK ARRESTER, complete For SPARK ARRESTER For U.S.A.	226 36502 01	1	
					14	TAPPING SCREW For SPARK ARRESTER For U.S.A.	015 20500 20	3	

When ordering parts: Always give the Model, Specification and Serial Number of Generator.

Fig. 9 CARBURETOR and AIR CLEANER

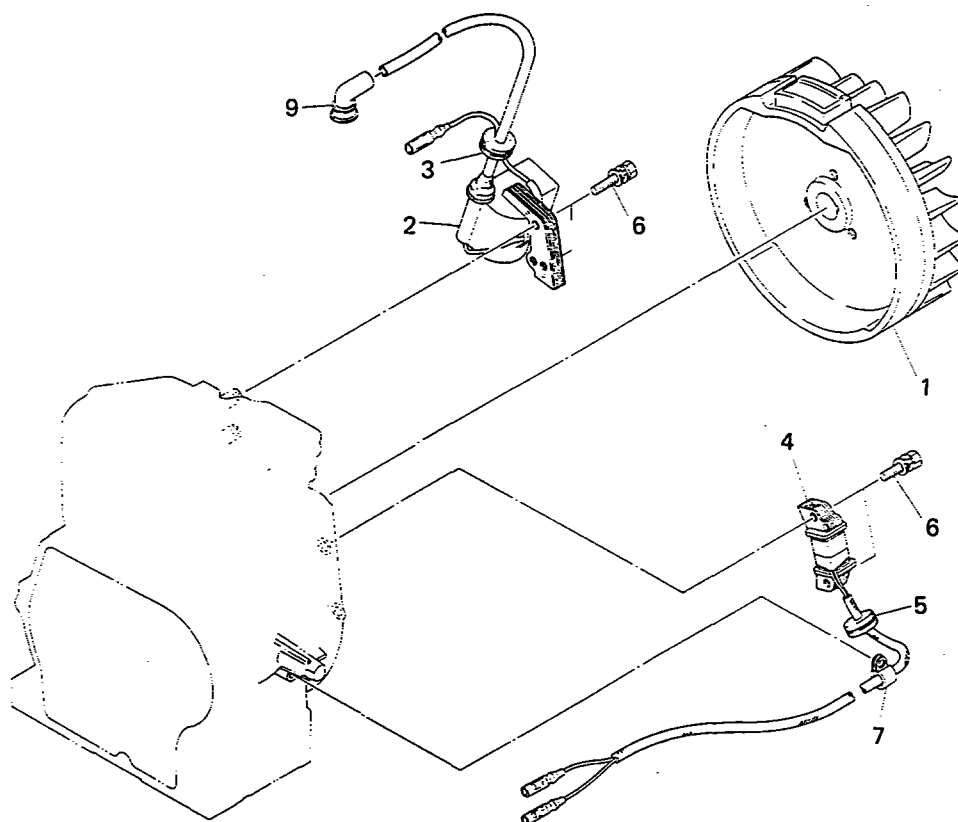
ENGINE PARTS



Interchangeability					Interchangeability				
Ref No.	Description	Part Number	Q'ty	Execution	Ref No.	Description	Part Number	Q'ty	Execution
1	CLEANER BODY, complete	226 35301 11	1		20	SCREW	226 62351 08	2	
2	GASKET, air cleaner	227 36003 13	2		21	CHOKE VALVE	226 62525 08	1	
3	FLANGE BOLT	011 00600 10	1		22	CHOKE SHAFT ASSEMBLY	226 62522 08	1	
4	CLEANER CASE, complete	226 35010 01	1		23	NEEDLE VALVE ASSEMBLY	226 62500 08	1	
5	SPRING WASHER	003 20060 00	2		24	RING	226 62553 08	1	
6	SCREW	004 31061 00	1		25	SPRING	226 62540 08	1	
7	ELEMENT RETAINER	226 36003 03	1		26	THROTTLE VALVE (# 165)	214 62535 08	1	
8	ELEMENT	226 36004 03	1		27	SHAFT ASSEMBLY	226 62530 08	1	
9	ELEMENT COVER (Color : WHITE)	226 35401 01	1		28	SPRING	209 62445 08	1	
9	ELEMENT COVER (Color : YELLOW)	226 35402 01	1		29	SCREW	106 62393 08	1	
10	WASHER	003 10060 00	1		30	PILOT JET (# 40)	207 62420 08	1	
11	SCREW	014 10600 30	1		31	SCREW	150 62356 08	1	
*12	CARBURETOR ASSEMBLY Includes items 13 thru 31	226 62307 10	1		32	PIPE, air vent (5 φ × 8 φ - L)	226 66001 03	1	
13	FLOAT CHAMBER PACKING	214 62540 08	1		33	PURSE LOCK (B)	217 75002 03	1	
14	FLOAT ASSEMBLY	226 62506 08	1						
14	FLOAT ASSEMBLY	226 62505 08	1						
15	FLOAT PIN	214 62515 08	1						
16	FLOAT CHAMBER BODY	214 62551 08	1						
17	PACKING	214 62450 08	1						
18	BOLT	214 62451 08	1						
19	MAIN JET (# 70)	226 62403 08	1						

When ordering parts: Always give the Model, Specification and Serial Number of Generator.

Fig. 10 MAGNETO

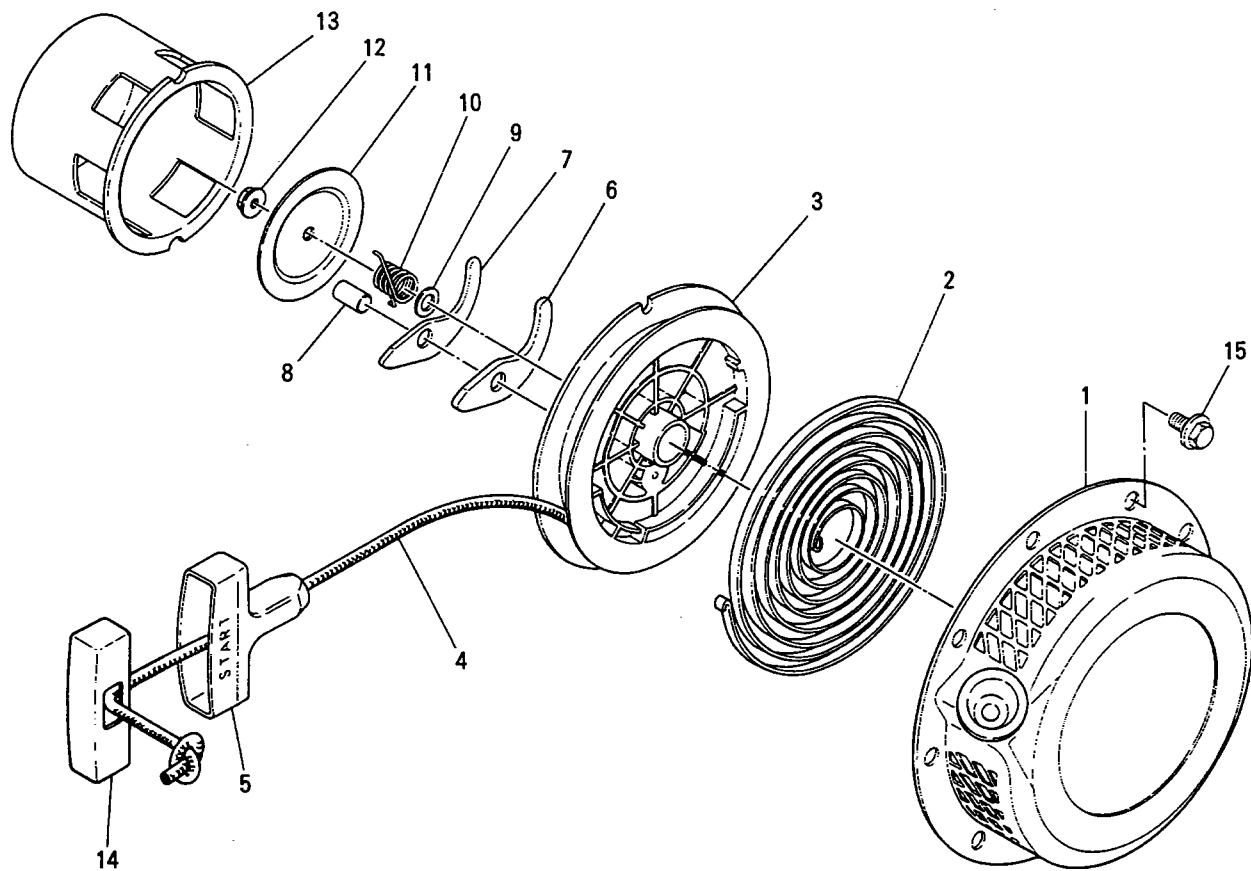


Interchangeability					Interchangeability				
Ref No.	Description	Part Number	Q'ty	Execution	Ref No.	Description	Part Number	Q'ty	Execution
* 1	MAGNETO ASSEMBLY Includes items 1 thru 5	226 70203	10	1					
1	FLYWHEEL	226 70120	18	1					
* 2	IGNITION COIL Includes item 3	226 70130	08	1					
3	GROMMET	226 70245	08	1					
* 4	CHARGE COIL ASSEMBLY Includes item 5	226 70145	08	1					
6	BOLT and WASHER ASSEMBLY	001 17062	50	4					
7	CLAMP	226 75101	03	1					
9	SPARK PLUG CAP	065 50001	10	1					

When ordering parts: Always give the Model, Specification and Serial Number of Generator.

Fig. 11 RECOIL STARTER

ENGINE PARTS



Ref No.	Description	Interchangeability			Ref No.	Description	Interchangeability		
		Part Number	Q'ty	Execution			Part Number	Q'ty	Execution
* 1	RECOIL STARTER ASSEMBLY Includes items 2 thru 14	226 50411 00	1	101731-	15	FLANGE BOLT	011 00600 10	4	
* 1	RECOIL STARTER ASSEMBLY Includes items 2 thru 14	226 50211 00	1						
2	SPIRAL SPRING	215 50515 08	1	101731-					
2	SPIRAL SPRING	106 50116 08	1						
4	STARTER ROPE	226 50113 08	1	101731-					
4	STARTER ROPE	106 50113 08	1						
5	STARTER KNOB	227 50100 08	1	101731-					
5	STARTER KNOB	226 50100 08	1						
6	RATCHET, steel	215 50625 08	1	101731-					
6	RATCHET	106 50128 18	2						
7	RATCHET, plastic	215 50526 08	1						
8	RATCHET PIN	215 50555 08	1						
9	THRUST WASHER	215 50560 08	1						
10	FRICTION SPRING	215 50630 08	1	101731-					
10	FRICTION SPRING	106 50132 08	1						
11	FRICTION PLATE	215 50540 08	1	101731-					
11	FRICTION PLATE	106 50144 08	1						
12	FLANGE NUT	002 38060 00	1						
13	STARTING PULLEY	215 50545 08	1	101731-					
13	STARTING PULLEY	226 50145 08	1						
14	STARTER KNOB CAP	227 50150 08	1						

When ordering parts: Always give the Model, Specification and Serial Number of Generator.

Robin America, Inc.

940 Lively Blvd. • Wood Dale, IL 60191 • Phone: 630-350-8200 • Fax: 630-350-8212
e-mail: sales@robinamerica.com • www.robinamerica.com

PRINTED IN THE USA

Robin America, Inc.

