

# **PARTS MANUAL**

**Model**

**EY20**

**ENGINE**

PUB-EP5705A  
Rev. 07/01

# **Robin America, Inc.**

940 Lively Blvd. • Wood Dale, IL 60191 • Phone: 630-350-8200 • Fax: 630-350-8212  
e-mail: [sales@robinamerica.com](mailto:sales@robinamerica.com) • [www.robinamerica.com](http://www.robinamerica.com)

© Copyright 2001 Robin America, Inc.

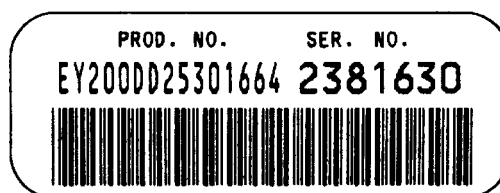
## HOW TO USE THIS MANUAL

Robin engines are identified by MODEL, SPECIFICATION, and CODE NUMBER. For each model there may be many different versions called specifications. Each specification will be unique in some way. The difference may only be the paint color or it may have a different type of PTO or some other significant difference.

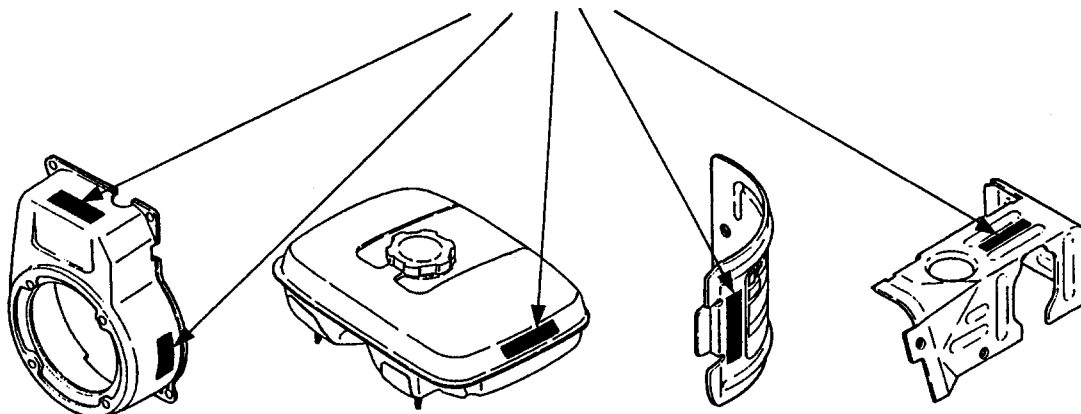
In order to identify the correct service part number, it is important to confirm the specification and code numbers for your engine. The specification and code number together are known as the PRODUCT NUMBER.

All Robin 4 cycle engines have a Product Number label similar to the label illustrated below.

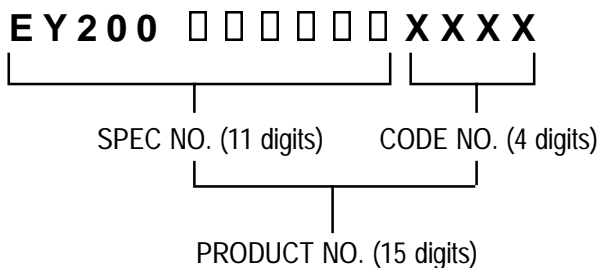
### PRODUCT NUMBER LABEL



### PRODUCT NUMBER LABEL LOCATIONS



The Product Number Label has a 15 digit alphanumeric string that consists of the SPECIFICATION (SPEC) number (11 digits) and the CODE number (4 digits). Please note the illustration below:



# MANUAL LAYOUT

**1** — SECTION 6    **FUEL GROUP**

**2** — FIG. 600

**3**

**4**

**5**

**6**

**7**

**8**

**9**

**1** — SECTION 6    **FUEL GROUP**

REF.	PART NO.	DESCRIPTION	QTY.	REMARKS	FROM-TO	FIG.
10	267-60103-01	FUEL TANK CP	1	YD, YS TYPE, BLACK	2101 -	600
30	267-60101-01	FUEL TANK CP	1	YELLOW	- 2100	600
27	073-20039-00	LABEL, WARNING	1	YD, YS TYPE		600
30	043-04300-15	FUEL TANK CAP CP	1			600
31	267-95201-03	LABEL, EMISSION	1	YD, YS TYPE		600
40	064-13600-10	FUEL FILTER	1			600
50	064-20021-01	FUEL STRAINER AY	1			600
-1	064-20002-20	FILTER	1			600
-2	064-20002-30	GASKET	1			600
-3	064-20019-10	CUP	1			600
-4	064-20003-20	NUT	1			600

1. SECTION NAME    Parts are broadly classified according to their functions. Refer to the Group Index (table of contents) for respective section name.
2. FIG. No.    The FIG. number indexes the reference and part numbers to the illustration. Figure numbers that vary only in the tens place (i.e.: 700 and 710) are in a group of the same section (i.e.: Electrical Device Group).
3. REF. No.    The Reference number identifies the part illustration with the corresponding part number in the part list.
4. SUBASSEMBLY    SUBASSEMBLY parts of part assembly are listed below the assembly part. The subassembly part reference number is indicated by the number led by "-" such as "-1", "-2".
5. PART NUMBER    It is the number assigned for sales unit. Use the PART No. when making an order.
6. DESCRIPTION    It is designation of the part.
7. QTY.    Quantity of each part used for each product.
8. REMARKS    This gives a distinctive feature and/or a supplementary comment for the type, the specification, and the part concerned. It also shows part number(s) interchangeable for the part.
9. FROM-TO    This section shows the CODE No. to indicate the history of progress in which improved parts have been introduced in the product. The FROM-TO CODE No. helps to identify PART No. being employed in the product concerned. See the examples below:
  - The part is used in the product irrespective of CODE No.
  - 2101-    The part is used in the products with CODE No. of 2101 and after this number.
  - 2100    The part is used in the products with CODE No. of 2100 and before this number.

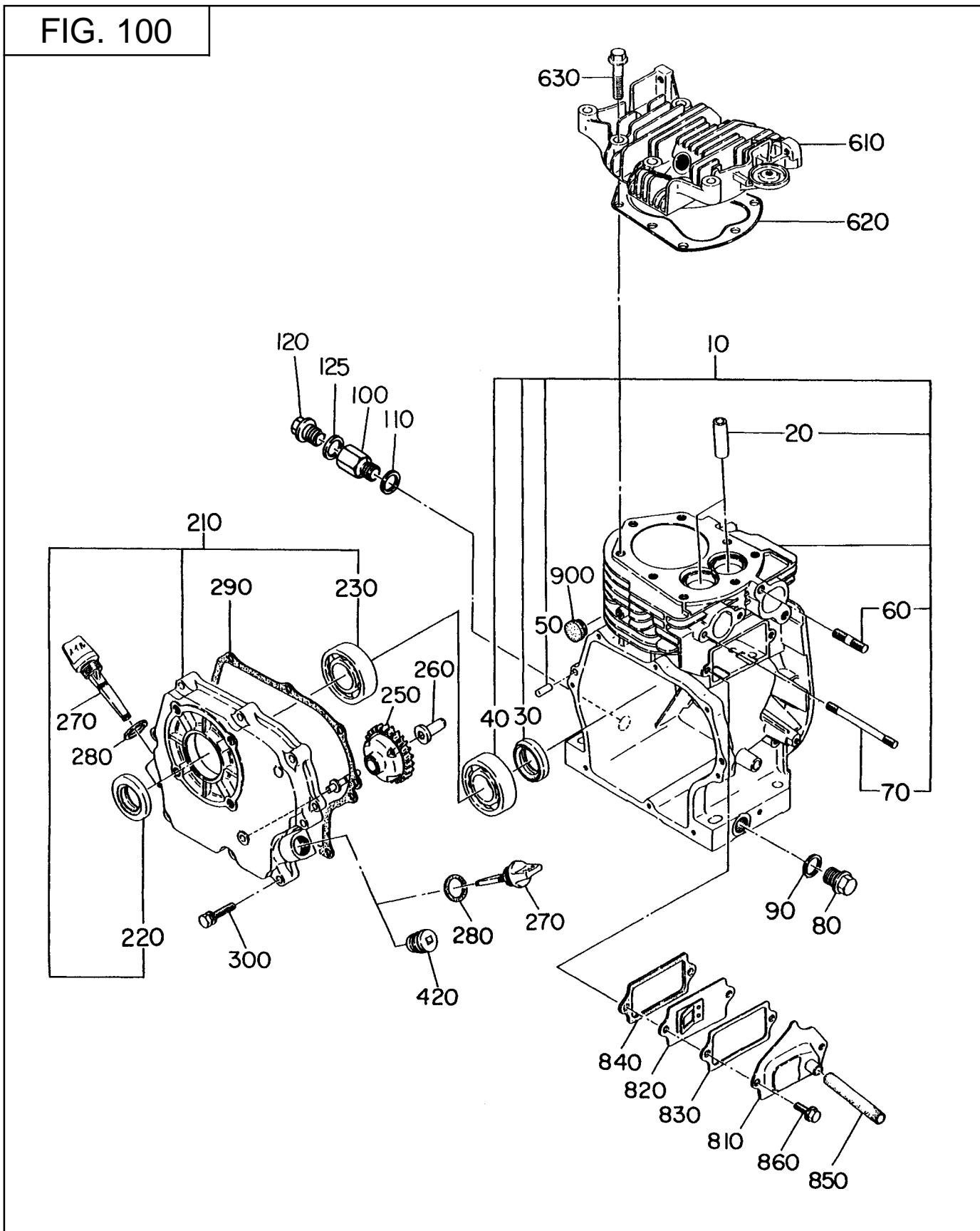
# GROUP INDEX

Group Name	Page
CRANKCASE GROUP .....	6
CRANKSHAFT GROUP .....	8
INTAKE and EXHAUST GROUP .....	10
GOVERNOR GROUP .....	14
COOLING and STARTING GROUP .....	18
FUEL, LUBRICANT GROUP .....	22
CARBURETOR GROUP .....	24
ELECTRIC DEVICE GROUP .....	26
OIL SENSOR .....	30
6:1 REDUCTION .....	34

INDEX OF DESCRIPTION SYMBOLS			
SYMBOL	DESCRIPTION	SYMBOL	DESCRIPTION
AY .....	ASSEMBLY	P= .....	PITCH (in mm)
CP .....	COMPLETE	P.T.O. (PTO) .....	POWER TAKE OFF
EX .....	EXPORT (from Japan)	REF. ....	REFERENCE
FIG. ....	FIGURE	R.H. (RH) .....	RIGHT HAND SIDE
FR. ....	FRONT	RR. ....	REAR
" .....	INCH	STD. ....	STANDARD
INCL. ....	INCLUDE	SW .....	SWITCH
~L .....	LITER	T= .....	THICKNESS (in mm)
L= .....	LENGTH (in. mm)	UN .....	UNIT
L.H. (LH) .....	LEFT-HAND SIDE	U.S. ....	UNDER SIZE
MECH .....	MECHANICAL	~V .....	VOLTAGE
NO (NON) .....	NONE	~W .....	WATT
OPT. ....	OPTIONAL	W/ .....	WITH
O.S. ....	OVER SIZE	W/O .....	WITHOUT

SECTION 1 CRANKCASE GROUP

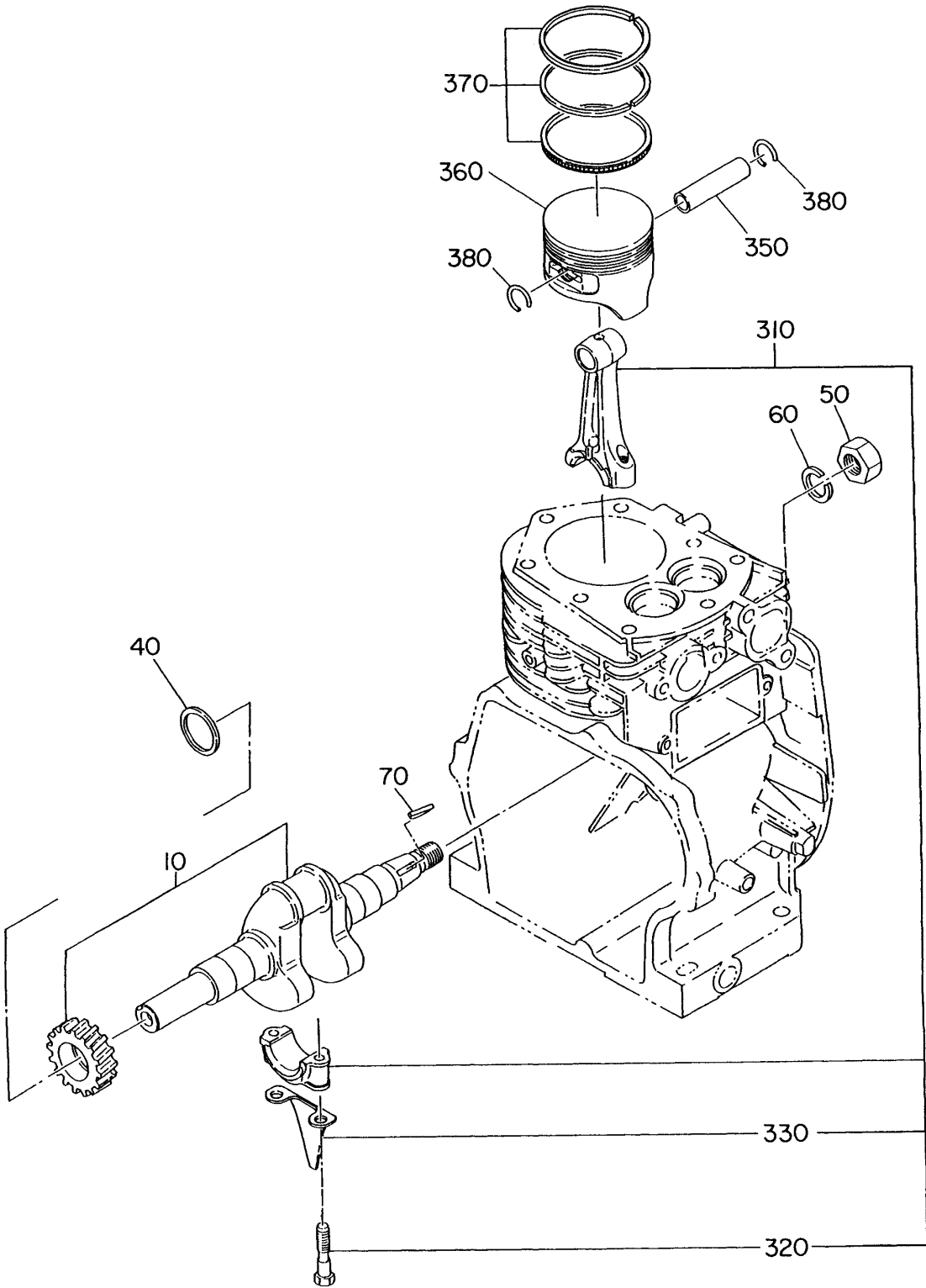
FIG. 100





SECTION 2 CRANKSHAFT GROUP

FIG. 200

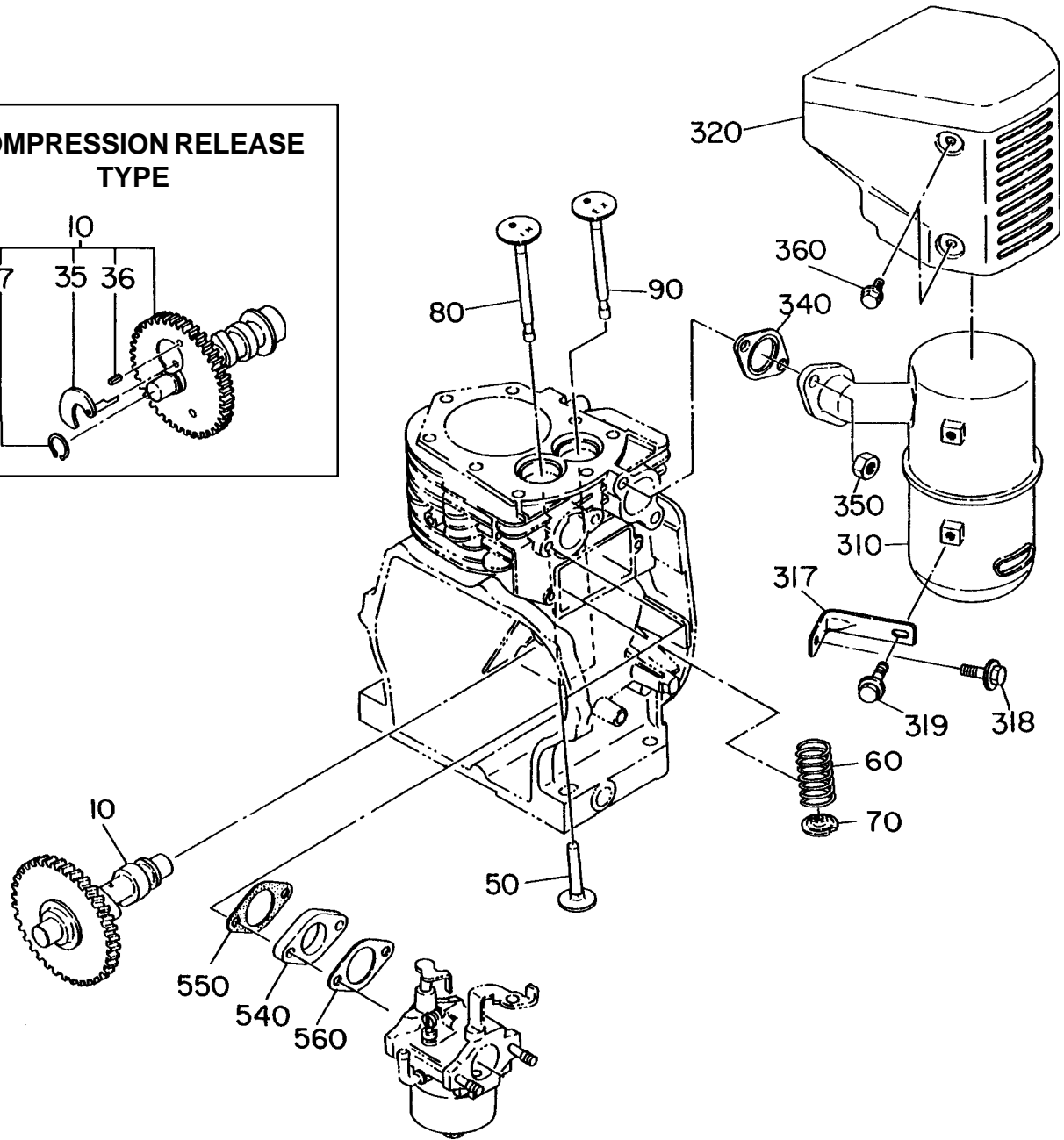
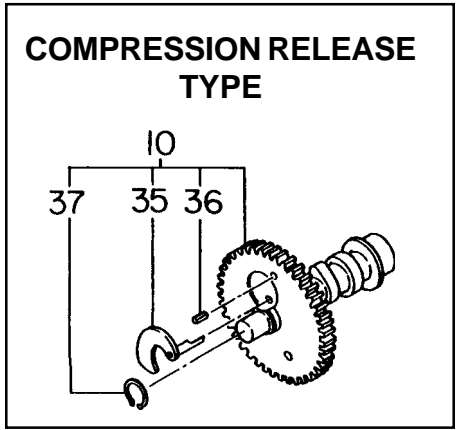






SECTION 3 INTAKE and EXHAUST GROUP

FIG. 300

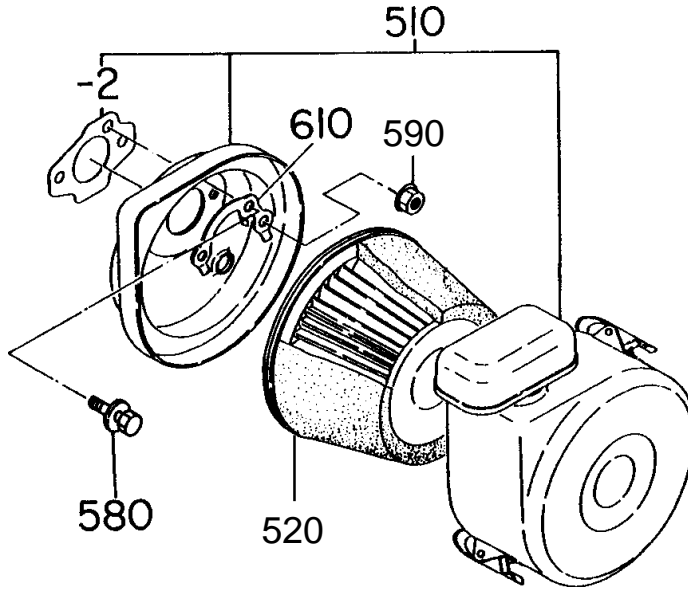




**SECTION 3 INTAKE and EXHAUST GROUP**

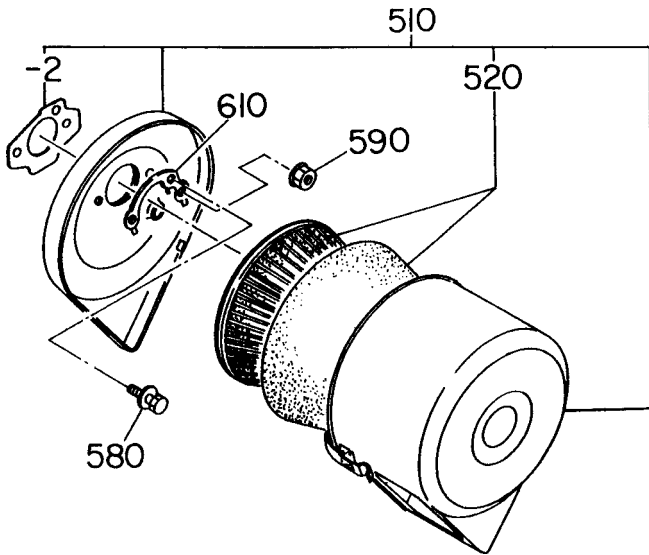
**FIG. 310**

**Premium - Top Inlet Cyclone**



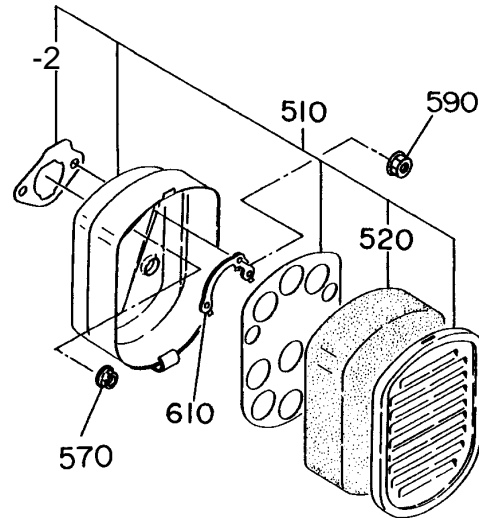
**A**

**B Standard - Cyclone**



**B**

**C Foam Element**



**C**

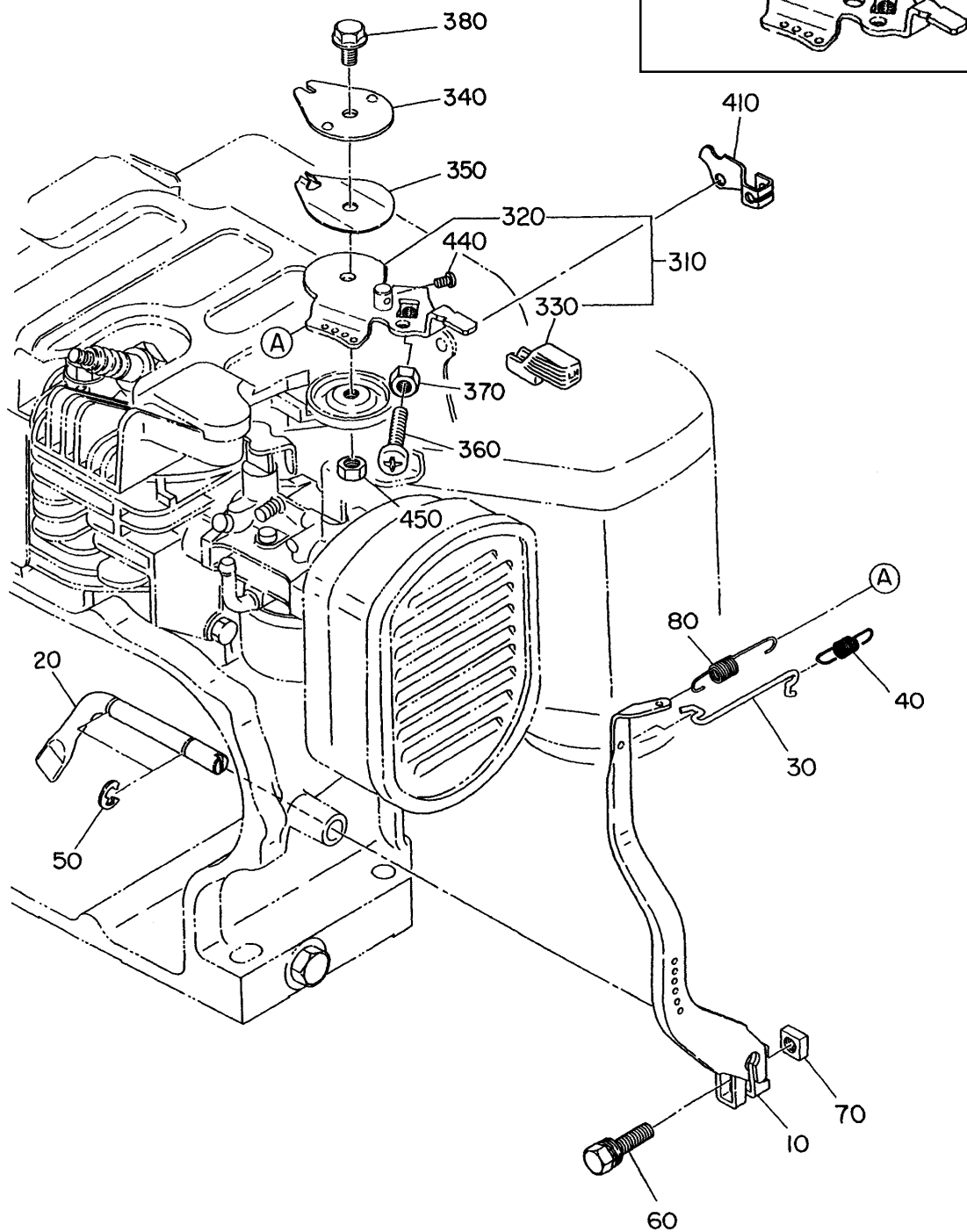


SECTION 4 GOVERNOR GROUP

FIG. 400

MANUAL WITH UPPER REMOTE CABLE CONTROL

MANUAL CONTROL ONLY

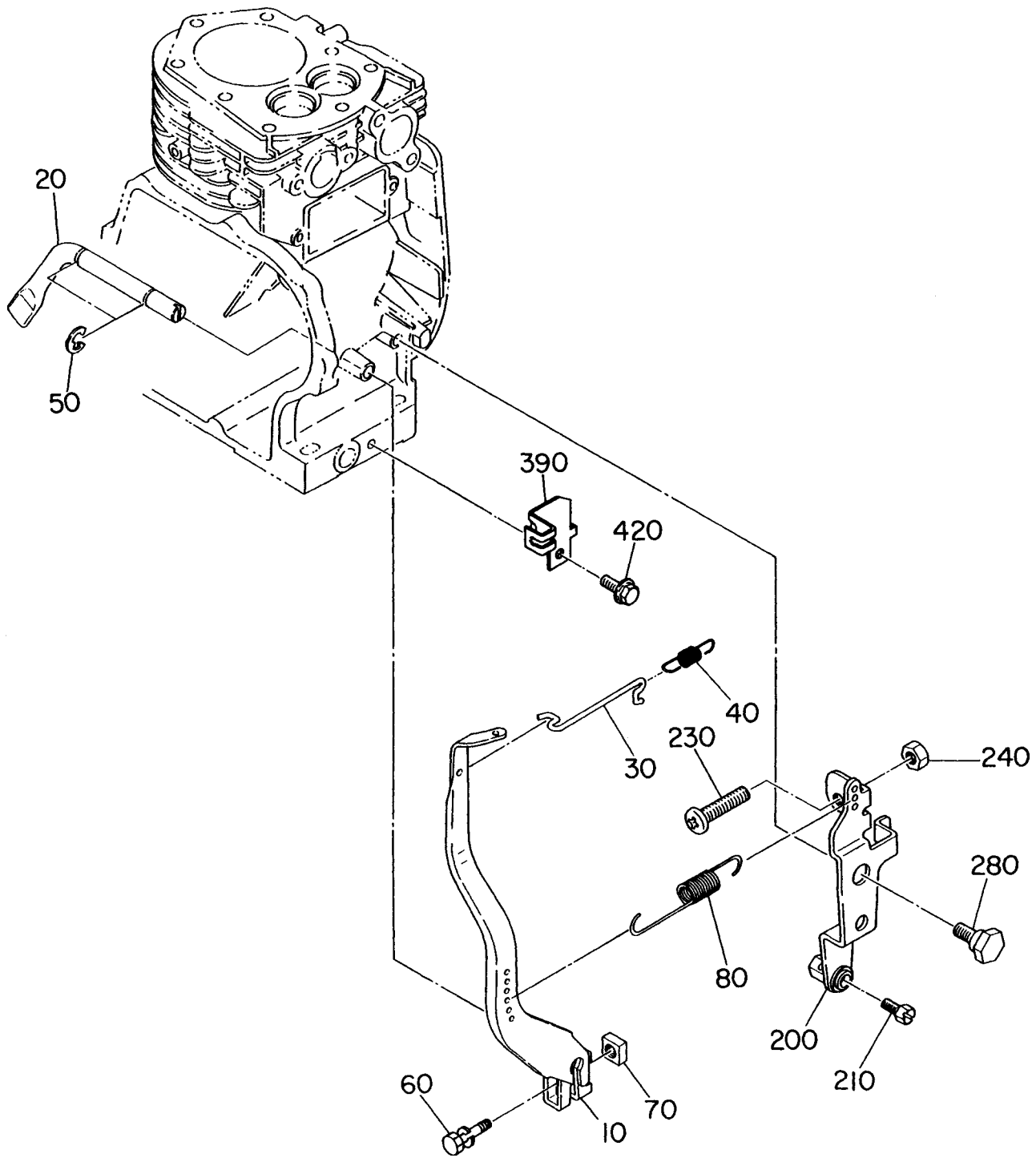




SECTION 4 GOVERNOR GROUP

FIG. 410

LOWER REMOTE CABLE CONTROL

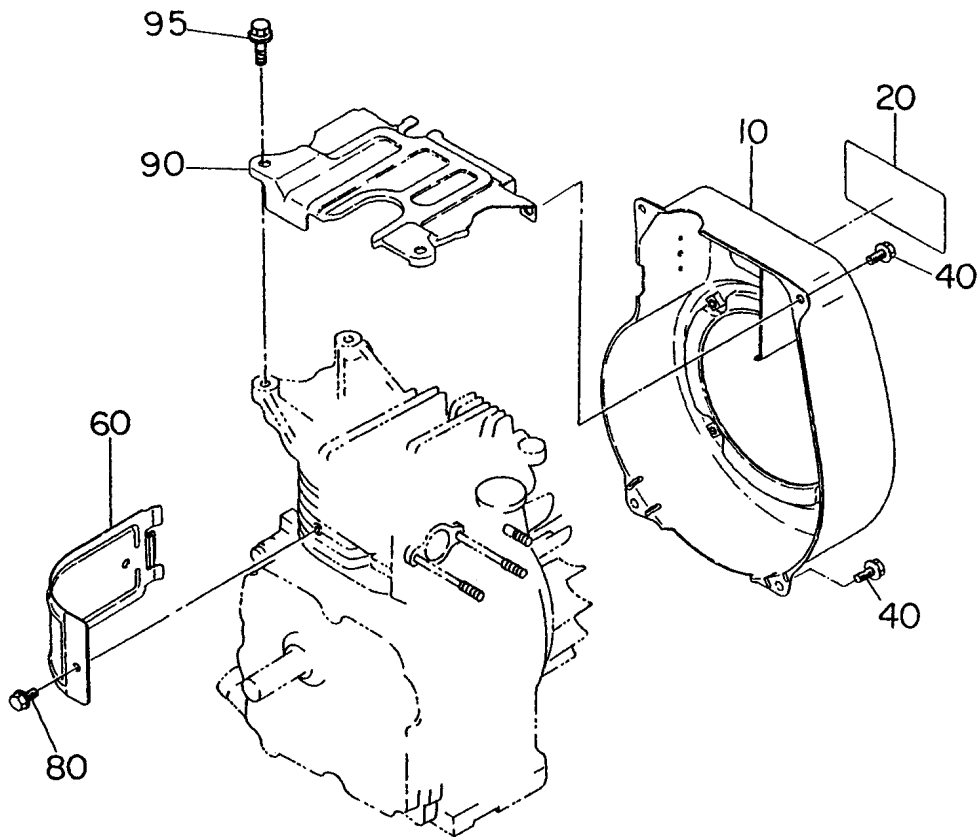






SECTION 5 COOLING and STARTING GROUP

FIG. 500

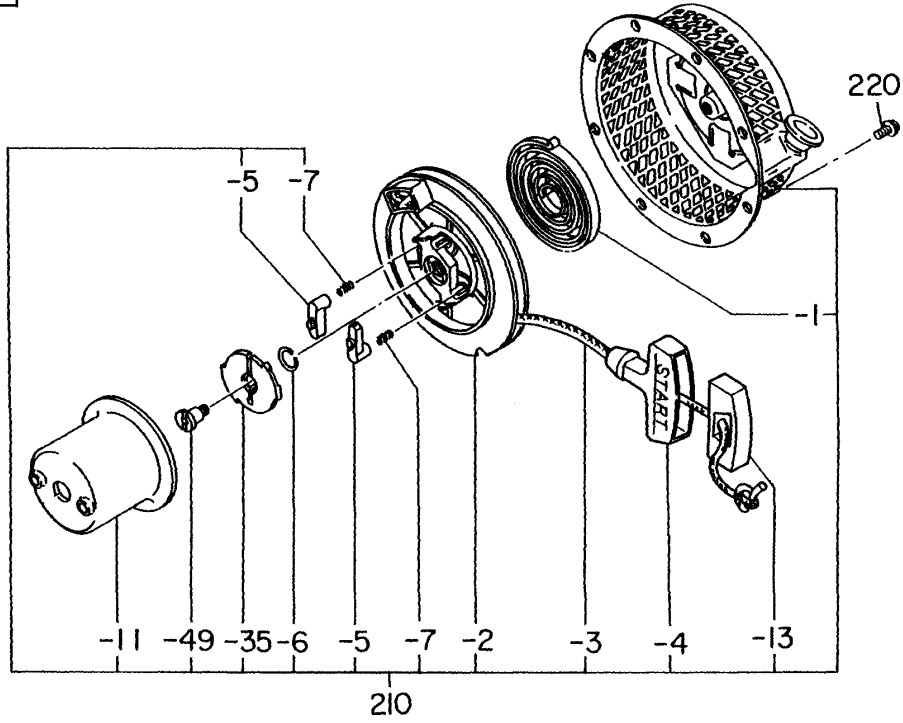




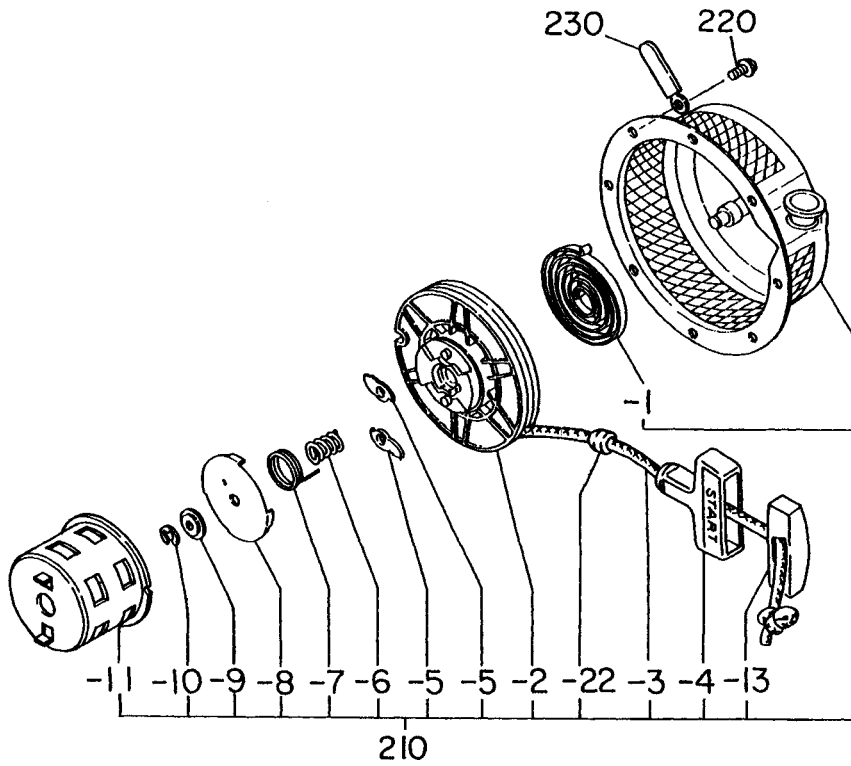
SECTION 5 COOLING and STARTING GROUP

FIG. 510

NEW STYLE



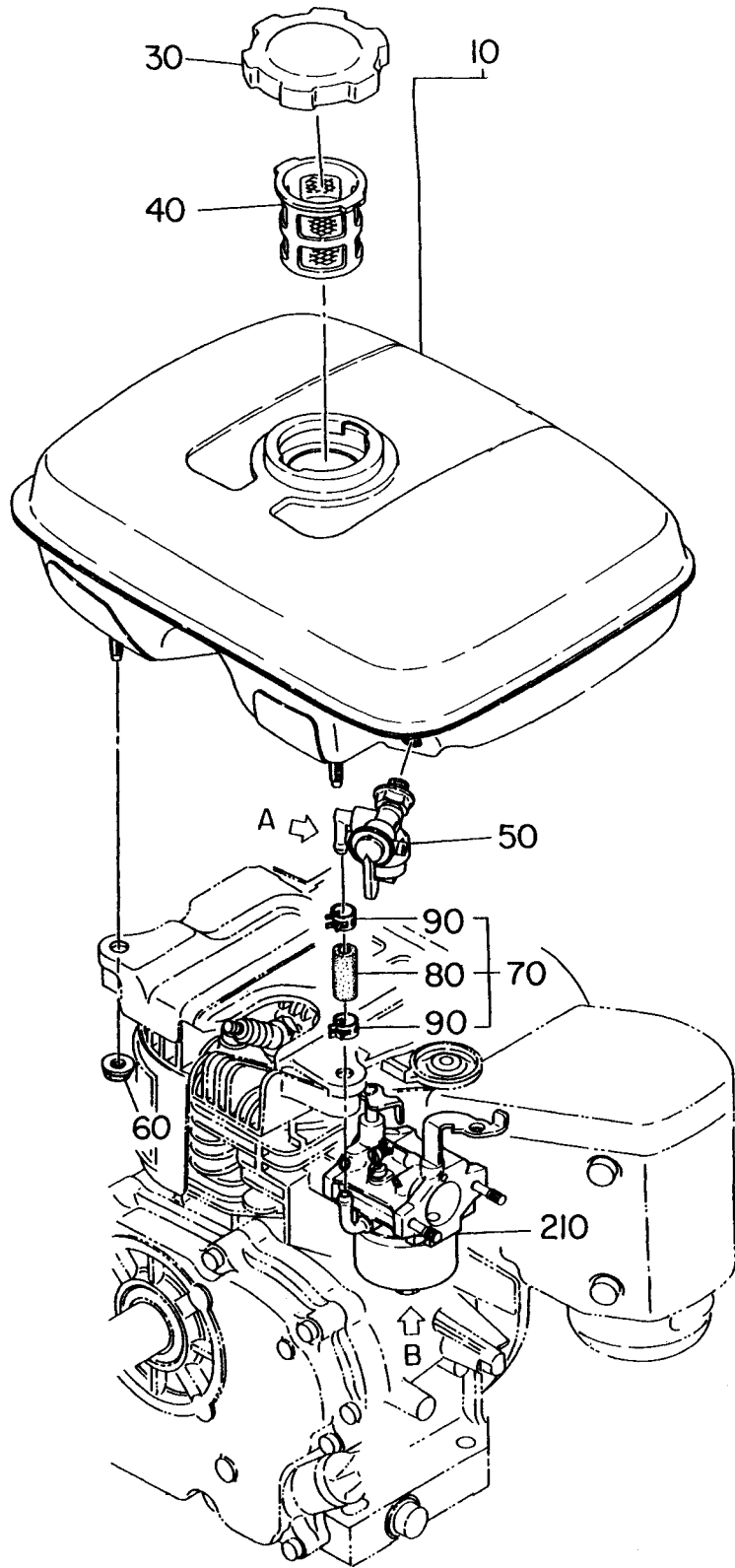
OLD STYLE



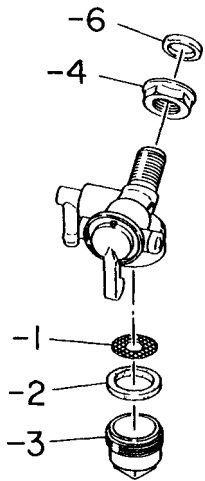


SECTION 6 FUEL, LUBRICANT GROUP

FIG. 600



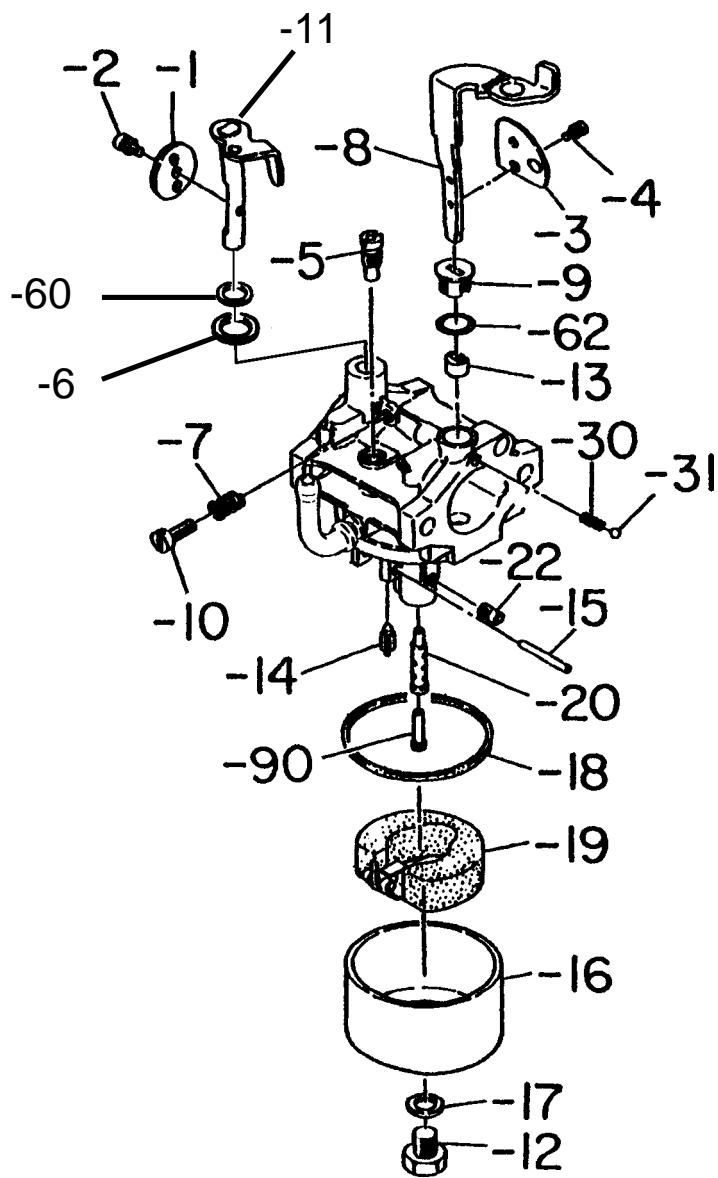
DETAIL A





SECTION 6 FUEL, LUBRICATION GROUP

FIG. 610

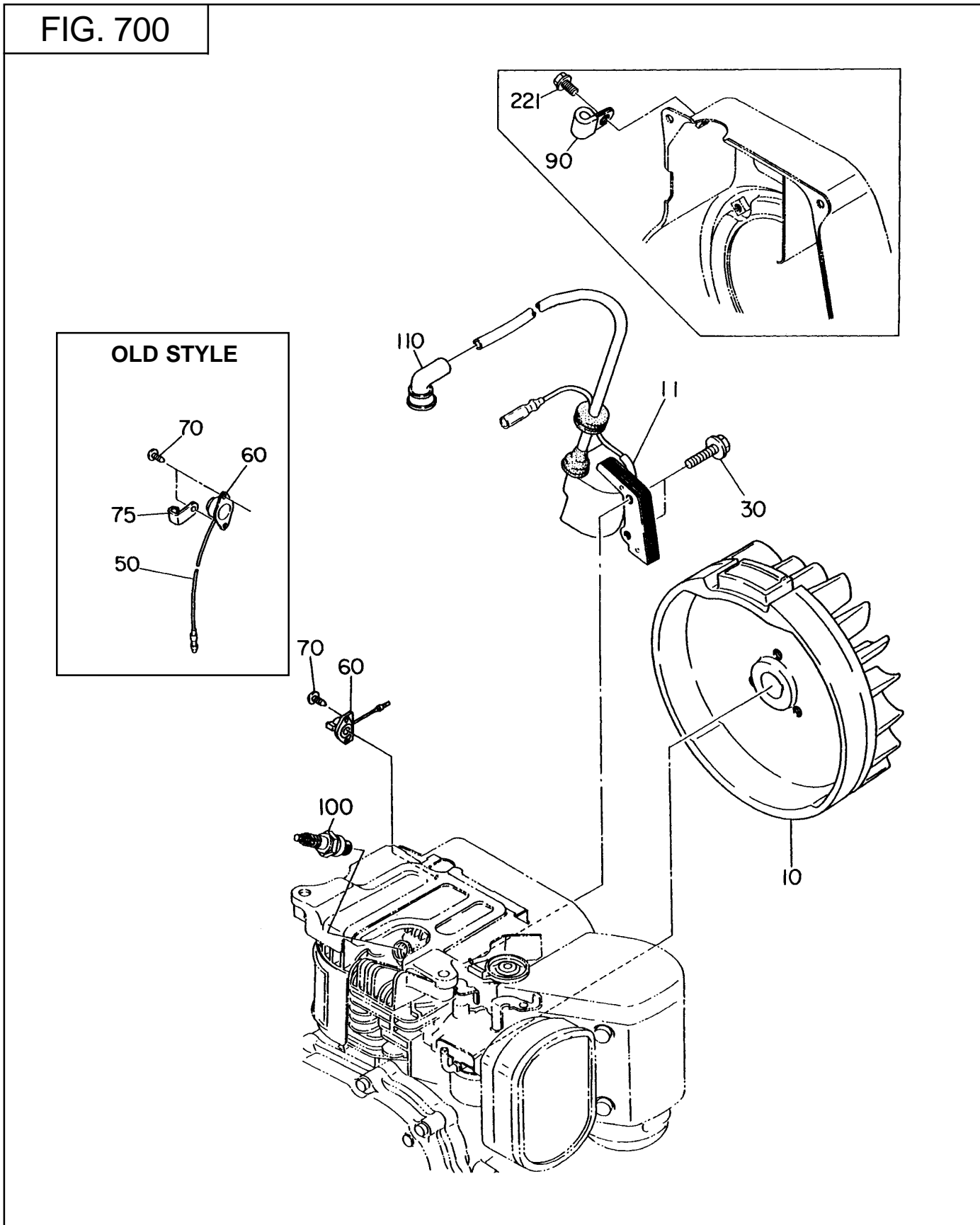






SECTION 7 ELECTRIC DEVICE GROUP

FIG. 700





SECTION 7 ELECTRIC DEVICES GROUP

FIG. 710

POINTS and CONDENSER - OLD STYLE

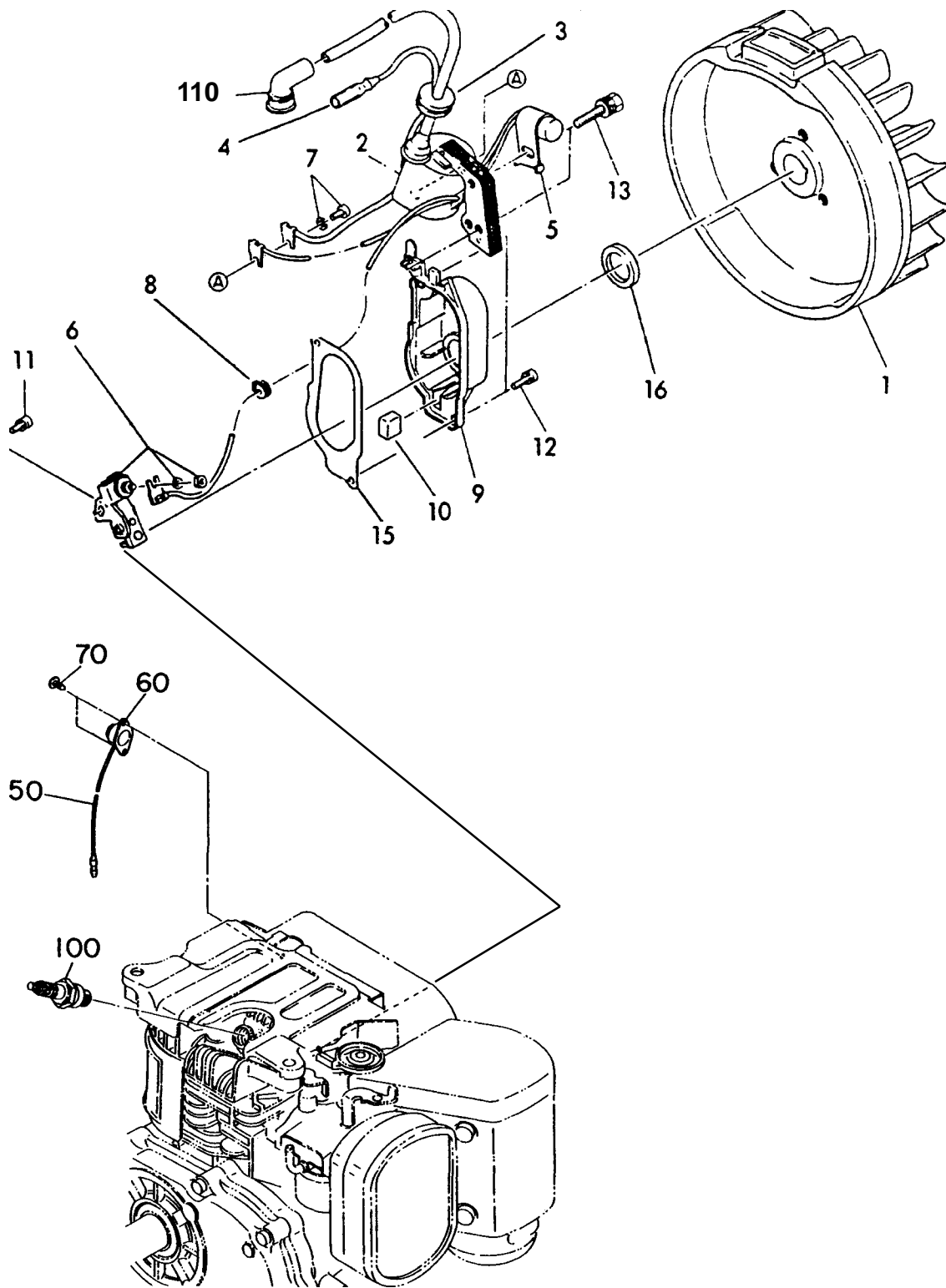
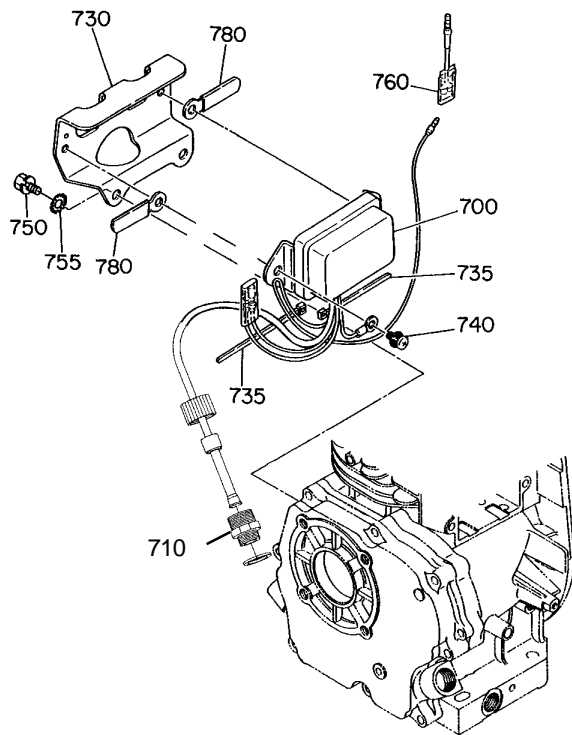
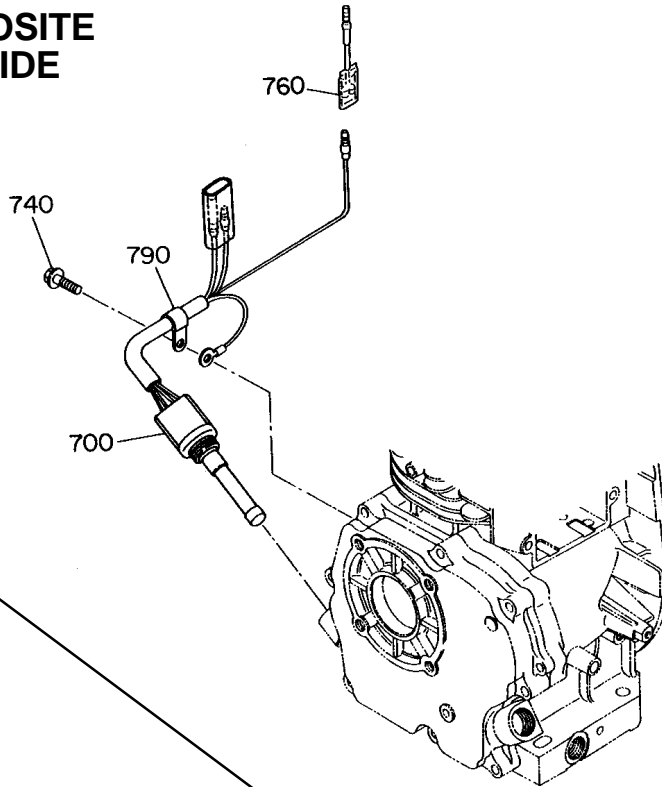




FIG. 730

**NEW STYLE - OPPOSITE  
CARBURETOR SIDE**



**OLD STYLE - OPPOSITE  
CARBURETOR SIDE**



FIG. 740

OLD STYLE - CARBURETOR SIDE

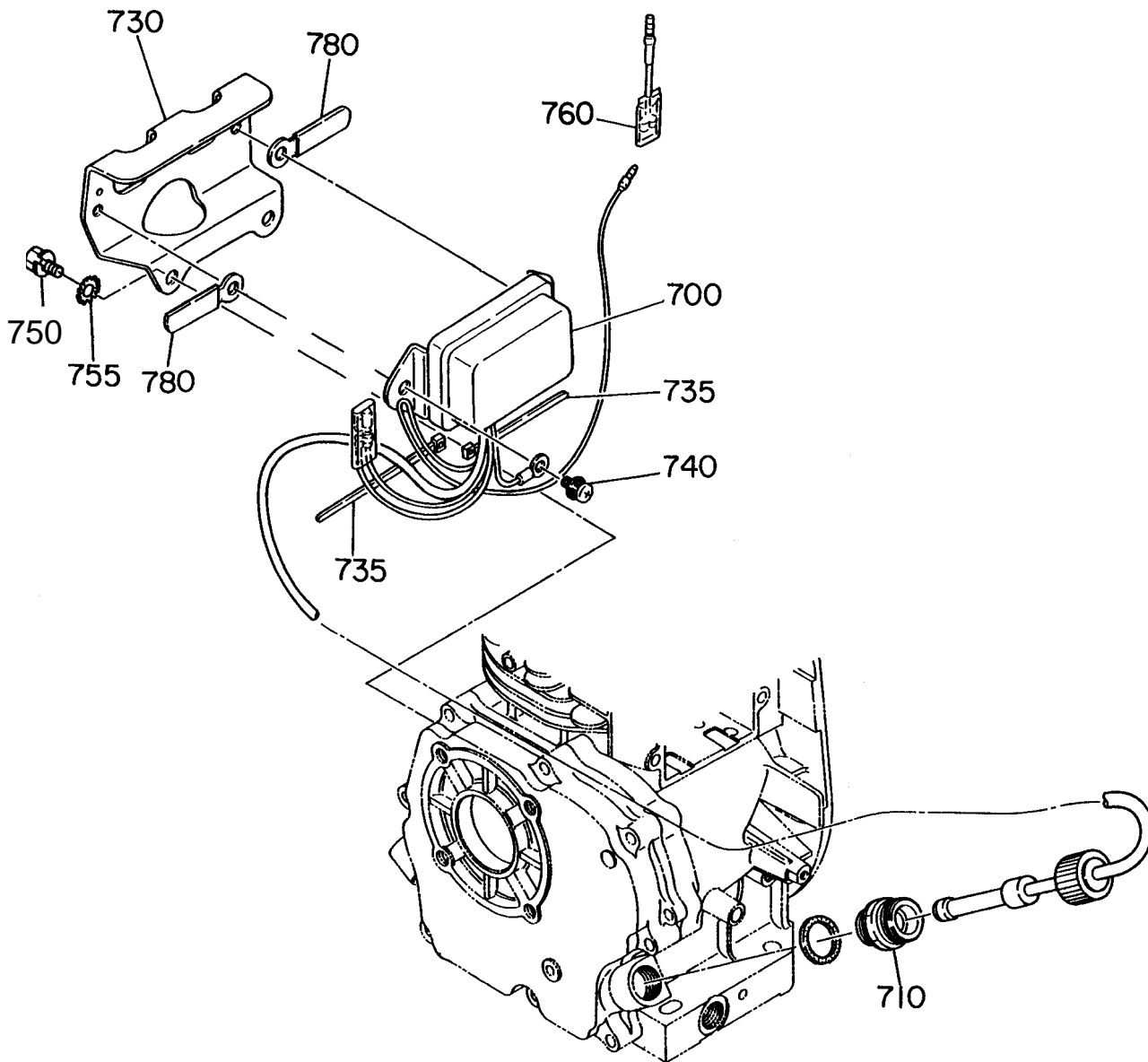
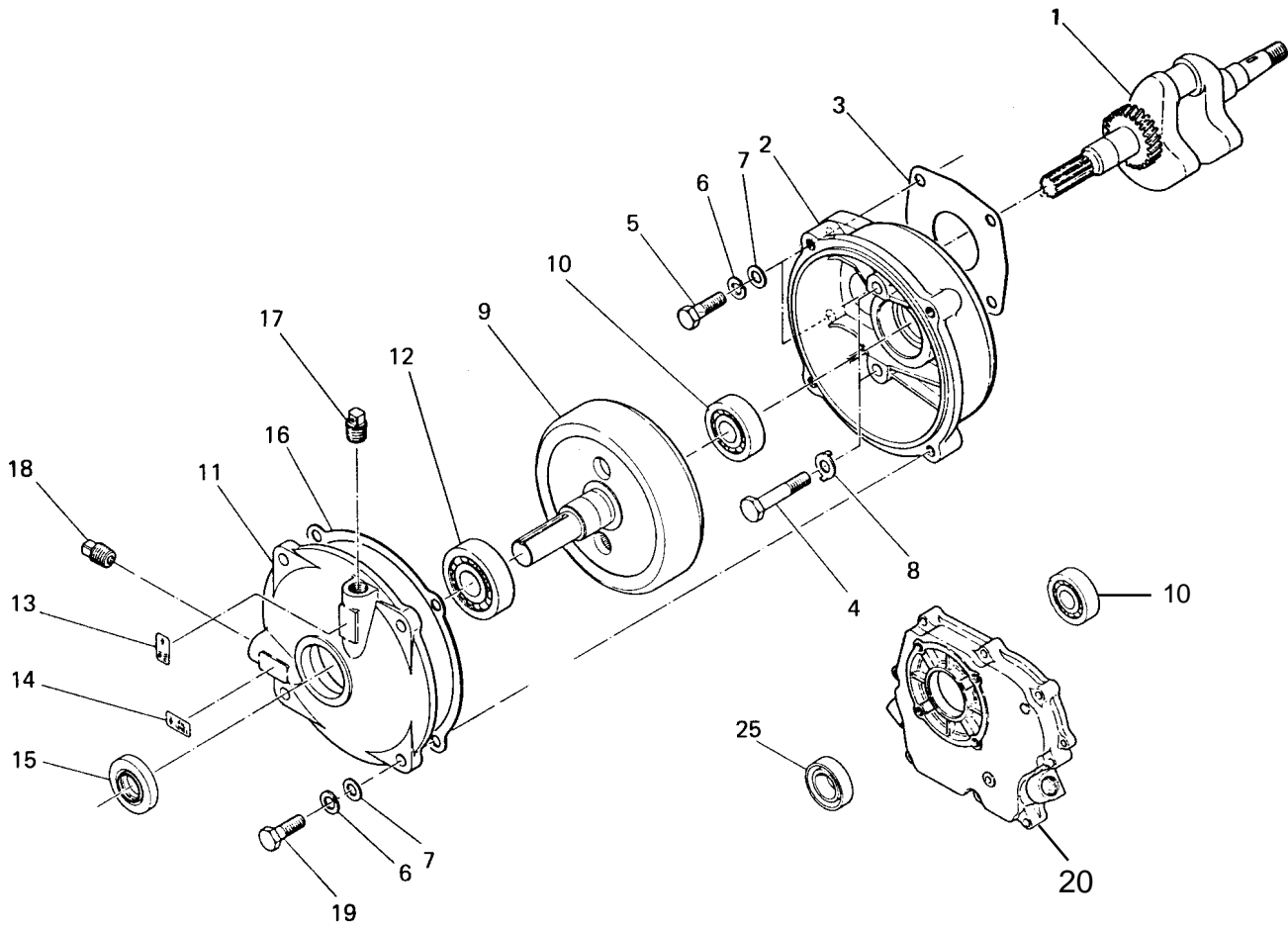






FIG. 800





PRINTED IN THE USA