

**Introduction**

This catalog is designed to identify **Wisconsin Robin** parts.

When ordering parts, it is always advisable to list the engine model, specification number and serial number. With this information, we can check your order for any incorrect part numbers. Use your Service Parts List to ensure proper part number and nomenclature identification.

**TELEDYNE TOTAL POWER** reserves the right to modify, alter and improve engines and parts. Part numbers and the structure of parts may change from those shown in this catalog.

**Table of Contents**

Crankcase and Cylinder Head ..... 1

Crankshaft, Camshaft, Piston, Rod and Valve ..... 2

Governor and Speed Control ..... 3

Shrouding, Muffler and Starting Pulley ..... 4

Fuel Tank ..... 5

Magneto ..... 5

Carburetor and Air Cleaner ..... 6

Magneto, Charging coil and Flywheel for Starting Motor ..... 7

Control Box, Switches and Rectifier ..... 8

Electric Starting Motor ..... 9

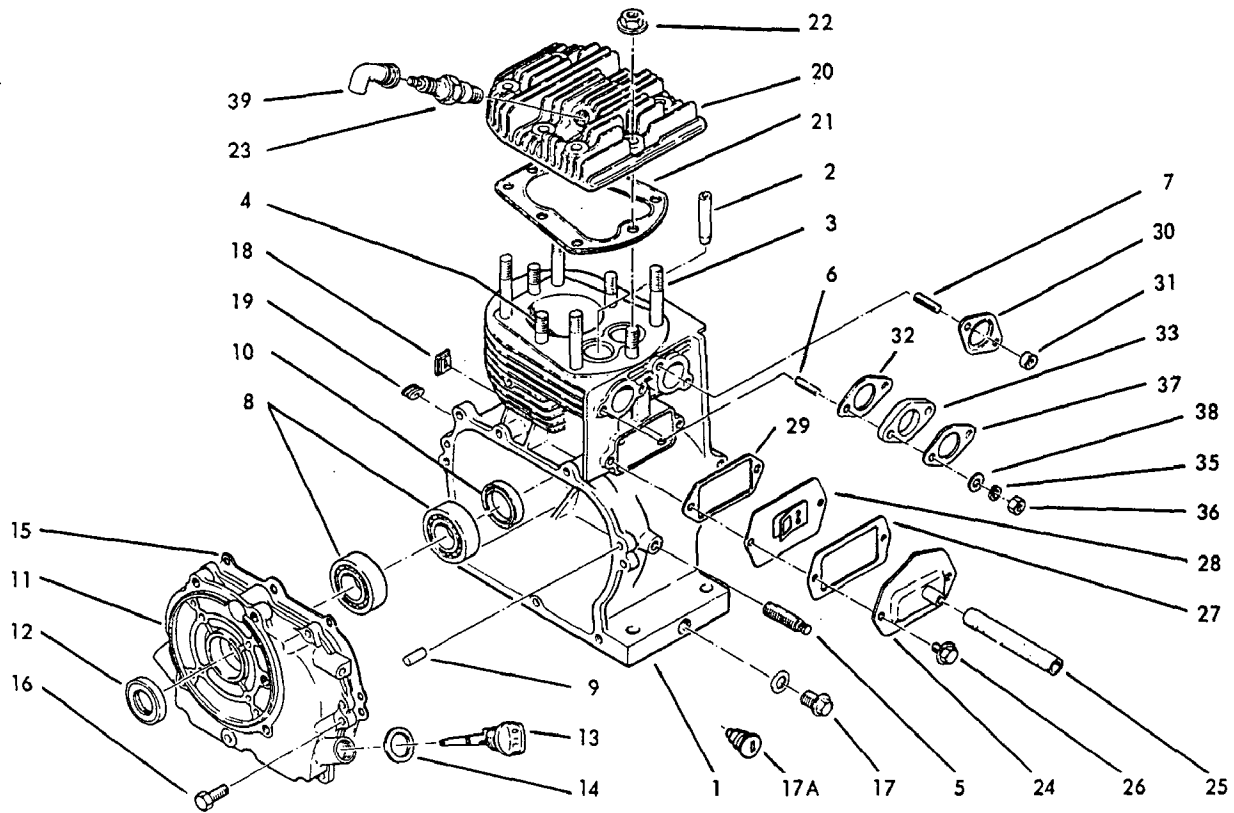
Electrical System ..... 10

Recoil Starter Assembly ..... 11

6:1 Gear Reduction Unit ..... 12

# CRANKCASE and CYLINDER HEAD Group For Model EY 27W

Fig. 1



NOTE: Items without a part number are not sold separately.

\*\* Included in Engine Gasket Set. (Ref. 25, page 2).

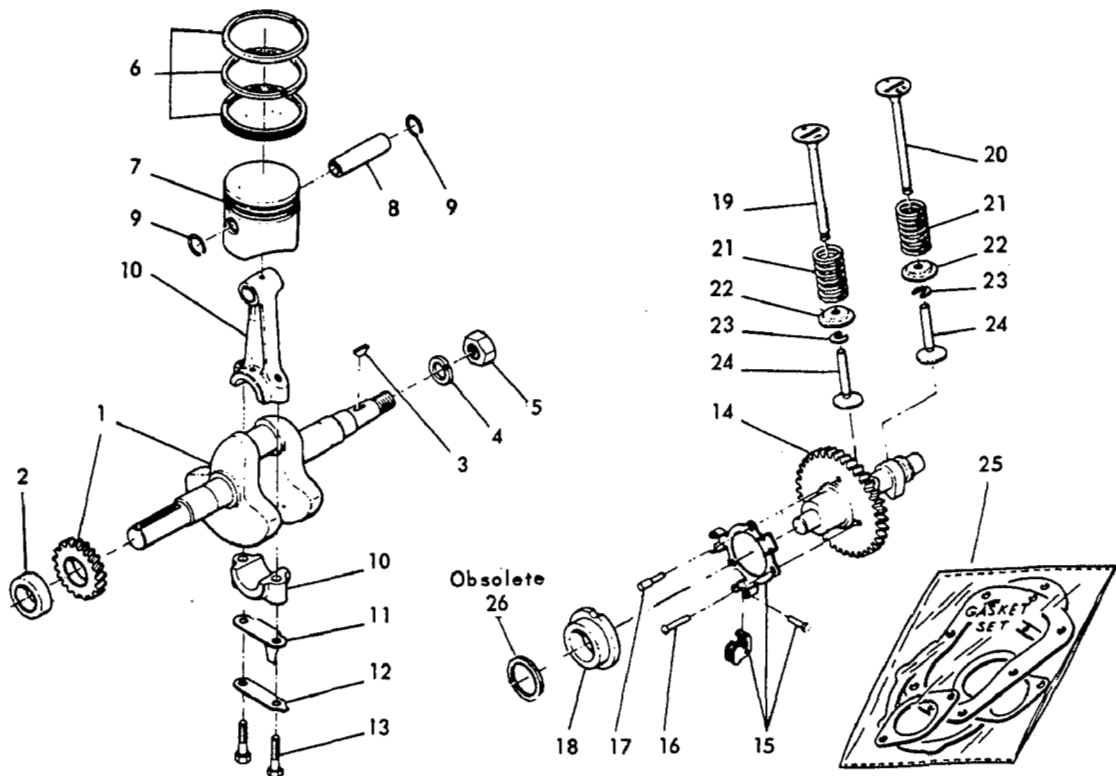
Ref. No.	Part Number	Description	No. Req.
1		CYLINDER - CRANKCASE	
2	EY 2071420503	VALVE GUIDE	2
3	EY 0105100050	STUD, cylinder head mounting 10mm x 74mm long.	4
4	EY 0105100060	STUD, cylinder head mounting 10mm x 50mm long.	4
5	EY 0105080031	STUD, governor control mounting	1
6	EY 0013106351	STUD, carburetor mounting 6mm x 35mm long.	2
7	EY 0013108301	STUD, muffler mounting 8mm x 30mm long.	2
8	EY 0600300020	BEARING, crankshaft main	2
9		DOWEL PIN, gear cover	2
10	EY 0440300030	OIL SEAL, crankcase	1
11	EY 2071110211	GEAR COVER assembly Includes: Bearing (Ref. 8)	1
12		EY 0440300030 OIL SEAL	1
		EY 0420220010 PLUG (not illust.)...	1
		NOTE: Gear cover assembly for 6:1 Reduction Unit, Refer to page 12.	
13	EY 2066360117	OIL FILLER - DIP STICK Includes:	1
14		EY 0213200010 GASKET	1
15	* *	GASKET, gear cover	1
16	EY 0016608250	SCREW, gear cover mounting 8mm x 25mm long, hex head.	8
17	EY 0401140030	OIL DRAIN PLUG, (metal) with EY 0211140020 Gasket Beginning with engine Serial No. 24088	2
17A	EY 0420140011	OIL DRAIN PLUG (obsolete - rubber) Previous to Serial No. 24088	1

Ref. No.	Part Number	Description	No. Req.
18	EY 0241080070	GROMMET, ignition wire	1
19	EY 0241030020	GROMMET, ignition wire	1
20	EY 2131300123	CYLINDER HEAD	1
21	EY 2131500101	GASKET, cylinder head	1
22	EY 0023810000	LOCKNUT, cylinder head - 10mm	8
23	EY 0650140031 (optional)	SPARK PLUG with gasket Champion L 86, AC43F, NGK B6HS.	1
24	EY 2071440401	INSPECTION COVER	1
25	EY 0851080020	BREATHER TUBE	1
26	EY 0110060020	SCREW, inspection cover 6mm x 12mm long, hex flange head.	2
27	* *	GASKET, inspection cover	1
28	EY 2141430111	BREATHER PLATE	1
29	* *	GASKET, breather plate	1
30	EY 2073520101	GASKET, muffler mounting	1
31	EY 0021908000	NUT, muffler mounting 8mm thread, hexagon brass.	2
32	* *	GASKET, insulating plate	1
33	EY 2063290103	INSULATING PLATE, carburetor	1
35	EY 0032006000	LOCKWASHER, carburetor mt'g. 6mm, spring lock.	2
36	EY 0022806000	NUT, carburetor mounting 6mm thread, hexagon steel.	2
37	EY 2083600303	GASKET, carburetor flange	1
38	EY 0031006000	WASHER, carburetor mounting 6.4mm I.D. x 13mm O.D., plain steel.	2
39	EY 0655000050	CAP, spark plug	1

When ordering parts: Always give Model, Specification and Serial Numbers of engine.

Fig. 2

## CRANKSHAFT, CAMSHAFT, PISTON, ROD and VALVE Group For Model EY 27W



NOTE: Items without a part number are not sold separately.

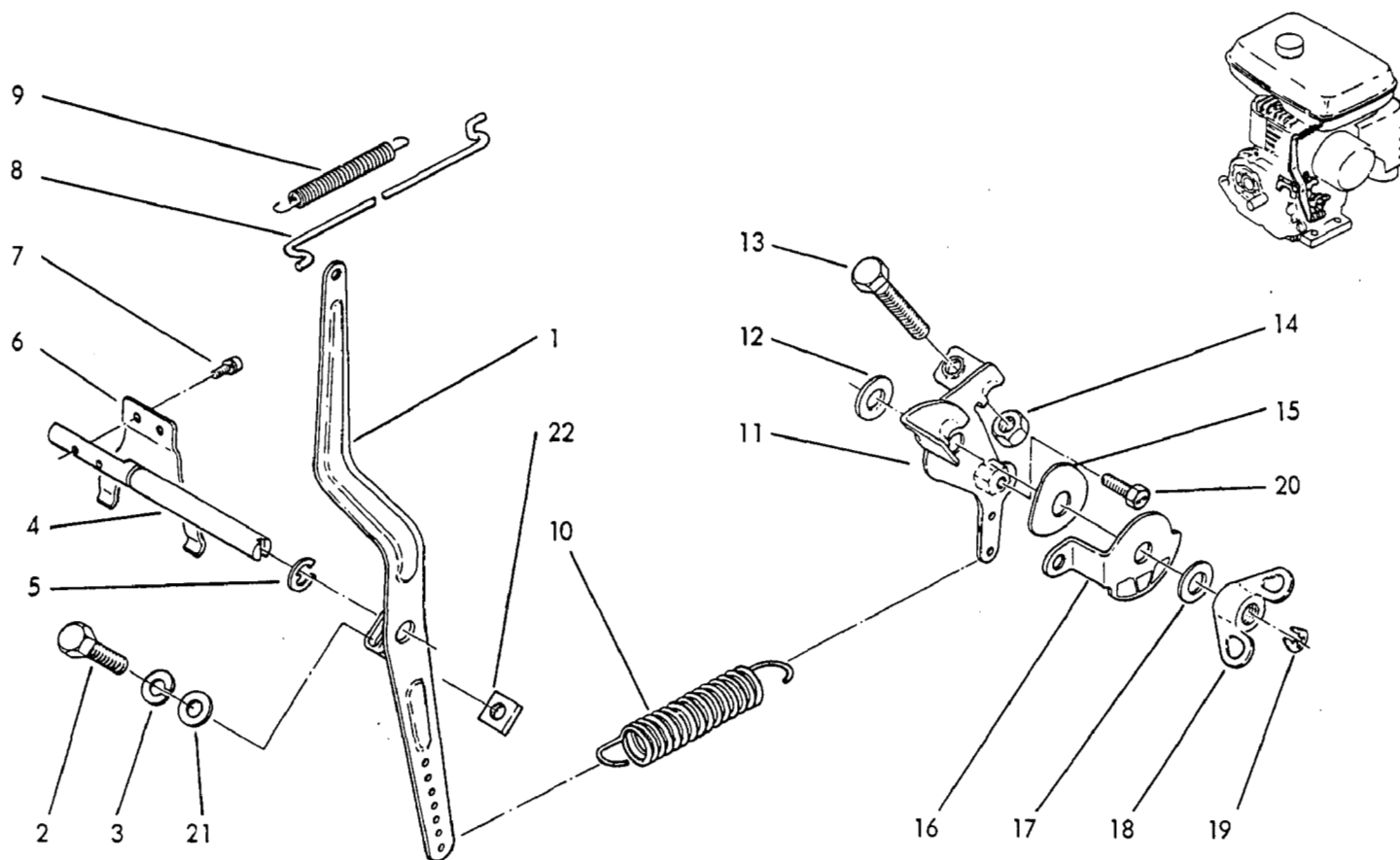
Ref. No.	Part Number	Description	Qty.
1		CRANKSHAFT with gear .....	1
	EY2072030201	KEYWAY SHAFT (std.) illustrated	
	EY2072040101	THREADED pump shaft extension	
	EY2072050101	TAPERED generator shaft ext. ....	
2	EY0230300090	ADJUSTING COLLAR .740 to .748"	1
	EY0230300100	.748 to .756" thick	
	EY0230300110	.756 to .764" thick	
3	EY0323030010	KEY, flywheel mounting .....	1
		3 mm wide x 6 mm high, woodruff	
4	EY0032014000	LOCKWASHER, flywheel nut .....	1
		14 mm spring lock	
5	EY0021814000	NUT, flywheel mounting .....	1
		14 mm thread, hexagon steel	
6	EY2132351107	RING SET, standard size .....	1
		Consisting of:	
		COMPRESSION RING .....	1
		SCRAPER RING .....	1
		OIL RING .....	1
	EY2132351207	.010" oversize Ring Set	
	EY2132351307	.020" oversize Ring Set	
7	EY2132340103	PISTON, standard size .....	1
	EY2132340203	.010" oversize Piston	
	EY2132340303	.020" oversize Piston	
8	EY2072330103	PIN, piston .....	1
9	EY0565160010	SNAP RING, piston pin .....	2

Ref. No.	Part Number	Description	Qty.
10	EY 2132250100	CONNECTING ROD assembly .....	1
		Includes:	
11		EY 2072310103 OIL SCRAPER ....	1
12		EY 2072320103 LOCK PLATE ....	1
13		EY 2072300103 ROD BOLT .....	2
	EY 2132250200	.020 inch undersize connecting rod	-
14	EY 2073180121	CAMSHAFT assembly, includes: ...	1
15		GOVERNOR PLATE assembly ....	1
16		RIVET, 4 mm x 13 mm long, rd. head	2
17		PIN, governor sleeve .....	1
18	EY 2064190113	GOVERNOR SLEEVE .....	1
19	EY 2073340113	INLET VALVE .....	1
20	EY 2073350113	EXHAUST VALVE .....	1
21	EY 2063360103	VALVE SPRING .....	2
22	EY 2063370113	RETAINER, valve spring .....	2
23	EY 2063380113	LOCK, valve spring retainer .....	2
24	EY 2073330203	VALVE TAPPET .....	2
25	EY 2139900117	ENGINE GASKET SET .....	1
		Consisting of:	
		GEAR COVER gasket .....	1
		CYLINDER HEAD gasket .....	1
		BREATHER PLATE gasket .....	1
		INSPECTION COVER gasket .....	1
		MUFFLER FLANGE gasket .....	1
		CARBURETOR FLANGE gasket ..	1
		AIR CLEANER gasket .....	1
		INSULATOR gasket .....	1
26	EY 0230300120	WASHER, governor thrust (obsolete) Serial # 024020 thru # 031122	1

When ordering parts: Always give Model, Specification and Serial Numbers of engine.

**GOVERNOR and SPEED CONTROL Group**  
For Model EY 27W

Fig. 3



NOTE: Items without a part number are not sold separately.

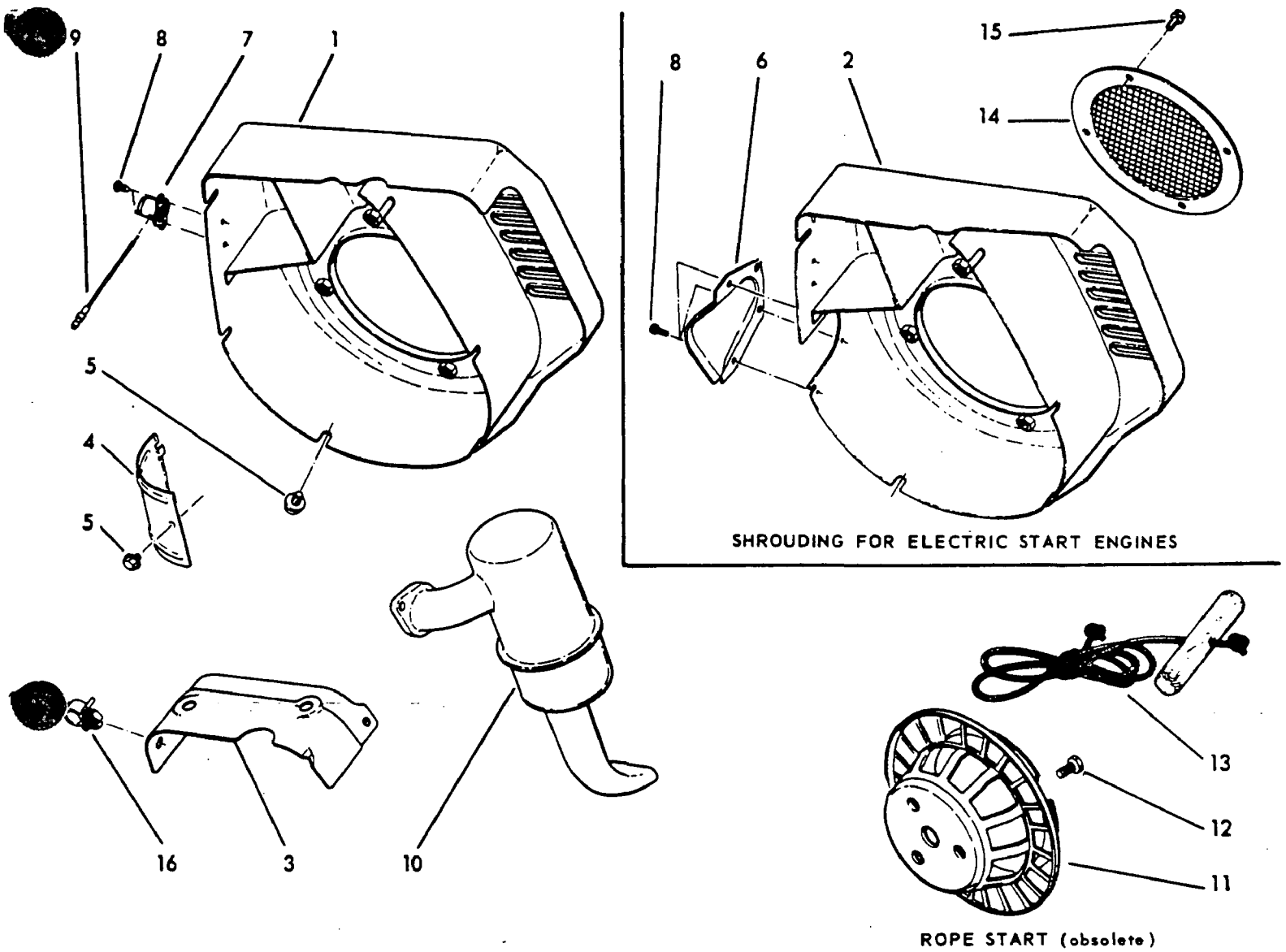
Ref. No.	Part Number	Description	No. Req.
●	EY 2074230117	GOVERNOR LEVER and SHAFT SET (Includes Items 1 thru 7, 21 and 22).	1
1		GOVERNOR LEVER .....	1
2		SCREW, governor lever ..... 6mm x 25mm long, hex head.	1
3		LOCKWASHER, governor lever ..... 6mm, spring lock.	1
4		GOVERNOR SHAFT .....	1
5		CLIP, shaft retainer ..... 6mm I.D. x 12mm, O.D.	1
6		GOVERNOR YOKE .....	1
7		SCREW, yoke mounting ..... 4mm x 8mm long, round head.	2
●	EY 2074250107	GOVERNOR SPRING and LINK SET.. (Includes Items 8, 9, 10).	1
8		GOVERNOR LINK .....	1
9		SPRING, governor link .....	1
10		GOVERNOR SPRING .....	1

Ref. No.	Part Number	Description	No. Req.
●	EY 2074330107	GOVERNOR CONTROL LEVER SET (Includes Items 11 thru 20).	
11		CONTROL LEVER .....	1
12		FRICITION WASHER .....	1
13		SCREW, control lever stop ..... 6mm x 40mm long, hexagon head.	1
14		NUT, lever stop screw ..... 6mm thread, hexagon steel.	1
15		WASHER, stop plate .....	1
16		STOP PLATE .....	1
17		WASHER, wing nut ..... 8mm I.D., plain steel.	1
18		WING NUT, control lever ..... 8mm thread.	1
19		CLIP, control mounting stud ..... 4mm I.D. x 9mm O.D., U type.	1
20		SCREW, control wire lock ..... 4mm x 14mm long, hex head.	1
21		WASHER, governor lever ..... 6mm I.D., plain steel.	1
22		NUT, governor lever ..... 6mm thread, square steel.	1

When ordering parts: Always give Model, Specification and Serial Numbers of engine.

Fig. 4

SHROUDING, MUFFLER and STARTING PULLEY Group For Model EY 27w



SHROUDING FOR ELECTRIC START ENGINES

ROPE START (obsolete)

Ref. No.	Part Number	Description	No. Req.
1	EY 2075130107	SHROUD, flywheel, for manual start....	1
2	EY 2075130307	SHROUD, flywheel, for electric start ..	1
3	EY 2075260107	COVER, cylinder head.....	1
4	EY 2075300107	BAFFLE, cylinder .....	1
5	EY 0110060020	SCREW, baffle and shroud mounting -- 6mm x 12mm long, hex flange head.	7
6	EY 2075620107	COVER, starter pinion drive .....	1
7	EY 0662000011	STOP BUTTON assembly .....	1
8	EY 0150040010	SCREW, 4 x 8 mm lg. self tapping, pan -- 3 - for starter pinion cover. 2 - for stop button assembly.	5

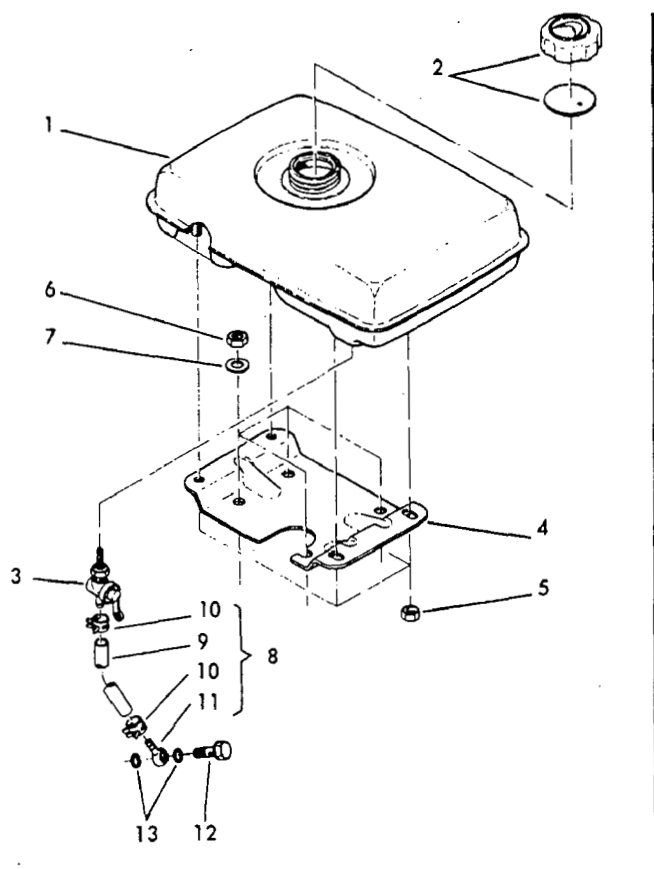
Ref. No.	Part Number	Description	No. Req.
9	EY 2147320101	IGNITION WIRE, stop button .....	1
10	EY 2133010101	EXHAUST MUFFLER .....	1
11	EY 2075420301	STARTING PULLEY, rope start <i>N/A</i>	1
12	EY 0016508120	SCREW, starting pulley mounting ---- 8 mm x 12 mm long, hexagon head.	3
13	EY 0703080020	STARTING ROPE assembly .....	1
14	EY 2075447607	SCREEN, flywheel air intake .....	1
15	EY 0110060010	SCREW, flywheel screen mounting ---- 6 mm x 8 mm long, hex flange head.	4
16	EY 0568080010	CLAMP, ignition wire .....	

When ordering parts: Always give Model, Specification and Serial Numbers of engine.

Fig. 5

FUEL TANK Group

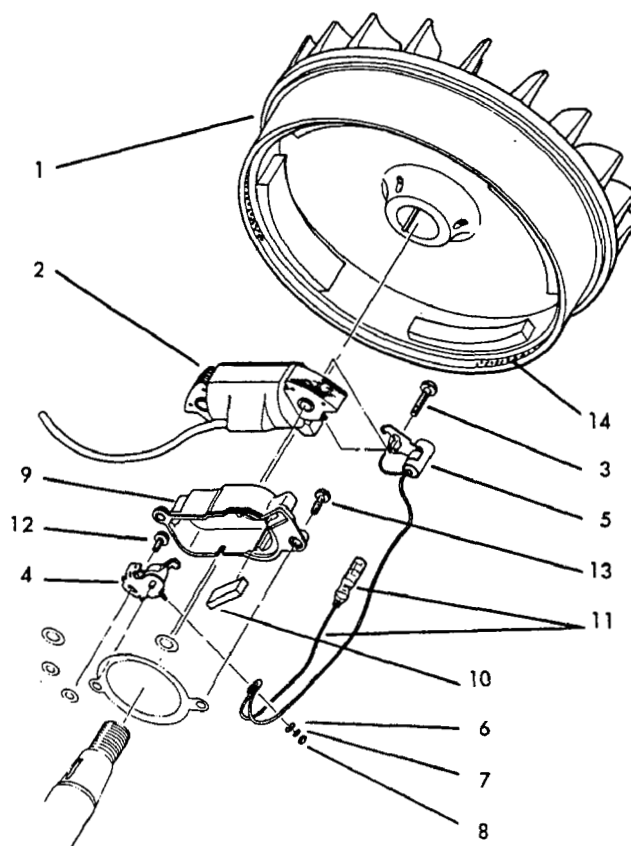
For Model EY 27W



NOTE: Items without a part number are not sold separately.

MAGNETO Group

Fig. 6



Ref. No.	Part Number	Description	Qty.
1	EY 2076020217	FUEL TANK assembly .....	1
2		Includes: EY2066900107 CAP with gasket ..	1
3	EY 0642000702	FUEL STRAINER .....	1
4	EY2076170101	BRACKET, fuel tank .....	1
5	EY0021708000	NUT, tank to bracket mounting .....	4
6	EY0022710000	NUT, bracket to head mounting .....	4
7	EY0031010000	WASHER, bracket to head nut .....	4
8	EY 2076261311	FUEL LINE assembly .....	1
9		Consisting of: FUEL LINE .....	1
10	EY0561100030	CLAMP .....	2
11	EY0521060100	BANJO FITTING .....	1
12	EY2096233508	BANJO BOLT, fuel line .....	1
13	EY2076234508	GASKET, banjo bolt .....	2

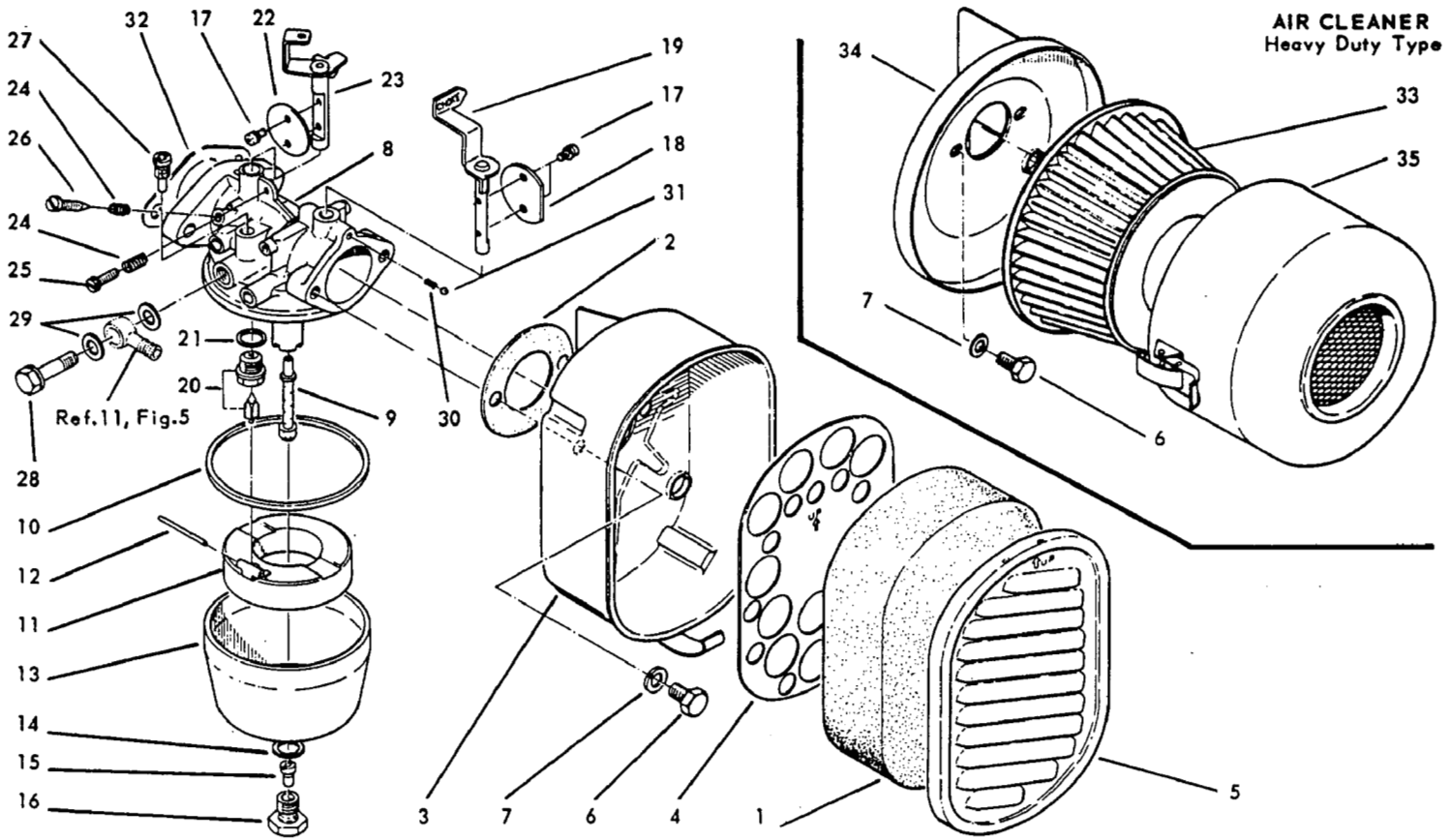
Ref. No.	Part Number	Description	No. Req.
1	EY 2137015308	FLYWHEEL, beg. with S/N 75320 EY 2137012008 previous to S/N 75320	1
2	EY 2137013018	IGNITION COIL, beg. with S/N 75320 EY 2077010208 previous to S/N 75320	1
3	EY 0043106250	SCREW assembly, ignition coil .....	2
	• EY 2067010407	POINTS and CONDENSER KIT .....	1
		Beginning with Serial No. 75320 EY 2067010207 previous to S/N 75320 Kit includes:	
4		CONTACT BREAKER .....	1
5		CONDENSER .....	1
6		WASHER, point terminal wire .....	1
7		LOCKWASHER, point terminal wire .....	1
8		NUT, point terminal wire .....	1
	• EY 2067110307	HARDWARE SET, for points and cond. Beginning with Serial No. 75320 EY 2067110207 previous to S/N 75320 Consisting of:	1
9		BREAKER COVER .....	1
10		OIL FELT, breaker .....	1
11		LEAD WIRE .....	1
12		SCREW, point bracket mounting .....	1
13		SCREW, point cover mounting .....	2
14	EY 2067600203	DUST FELT, flywheel .....	1

When ordering parts: Always give Model, Specification and Serial Numbers of engine.

Fig. 7

**CARBURETOR and AIR CLEANER Group**

For Model EY 27W



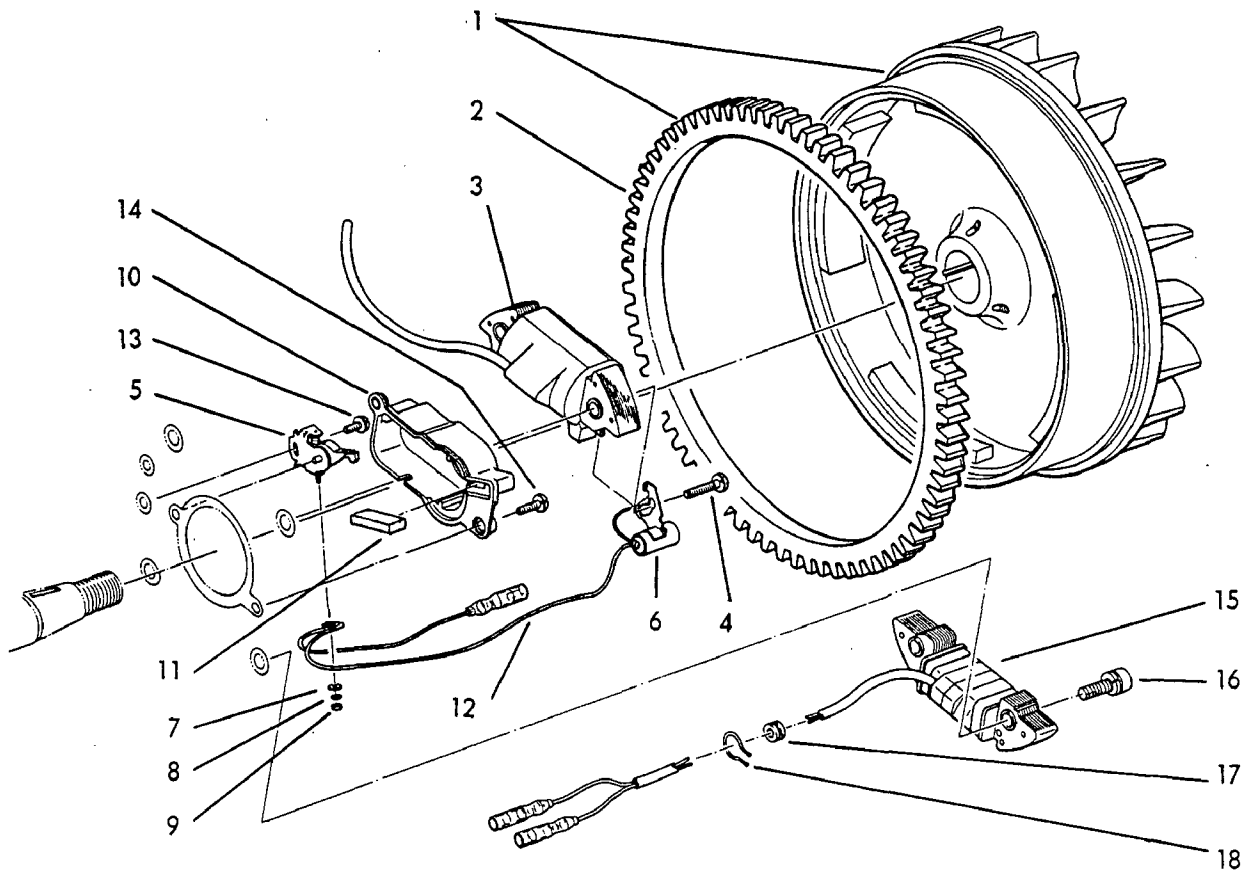
NOTE: Items without a part number are not sold separately.

Ref. No.	Part Number	Description	Qty.	Ref. No.	Part Number	Description	Qty.
●	EY2073262400	AIR CLEANER assembly .....	1	21	†*	GASKET, valve seat .....	1
1		Consisting of:		22	EY2136253508	THROTTLE VALVE .....	1
2	†*	EY2063600303 ELEMENT .....	1	23	EY 2076253008	THROTTLE SHAFT .....	1
3		GASKET (also in engine gasket set) ....	1	24	EY 2096244508	SPRING, throt. stop and pilot screws	2
4		BODY .....	1	25	EY1066235808	SCREW, throttle stop .....	1
5		RETAINER .....	1	26	†	PILOT SCREW .....	1
6	EY0016506100	EY2073602201 COVER .....	1	27	†	PILOT JET .....	1
7	EY0032006000	SCREW, air cleaner mounting .....	2	28		BOLT, fuel line connector .....	1
8	EY2136230120	6 mm x 10 mm long, hexagon head		29		GASKET, fuel line bolt .....	2
9		LOCKWASHER, air cleaner mtg. ....	2			For BOLT and GASKET	
10	†*	6 mm, spring lock				(See Fig. 5, Ref. 12 and 13.)	
11	EY2096230108	CARBURETOR assembly .....	1	30	EY 2096244608	SPRING, choke retainer .....	1
12	†	(Includes Items 9 thru 31)		31	EY 2096235308	STEEL BALL, choke retainer .....	1
13		NOZZLE .....	1	32	†*	GASKET, flange .....	1
14	†*	GASKET, float chamber .....	1	●	EY 2073260810	AIR CLEANER - Heavy Duty Type	1
15	EY2136240008	FLOAT .....	1			Consisting of:	
16		FLOAT PIN .....	1			EY2073260008 ELEMENT .....	1
17	†	FLOAT CHAMBER .....	1	33		BACK PLATE .....	1
18	†*	WASHER, jet holder .....	1	34		COVER .....	1
19	EY2136252508	MAIN JET .....	1	35		REPAIR KIT, carburetor	
20	EY2096230208	HOLDER, main jet .....	1			† Parts included in kit.	
		SCREW, choke and throttle valve .....	4	●	EY2076230107	GASKET SET, carburetor	
		3 mm x 5 mm long, pan head				* Parts included in set.	
		CHOKE VALVE .....	1				
		CHOKE SHAFT .....	1				
		FUEL VALVE and SEAT assembly ....	1				

When ordering parts: Always give Model, Specification and Serial Numbers of engine.

MAGNETO - CHARGING COIL and FLYWHEEL for Starting Motor  
For Model EY 27W

Fig. 8



NOTE: Items without a part number are not sold separately.

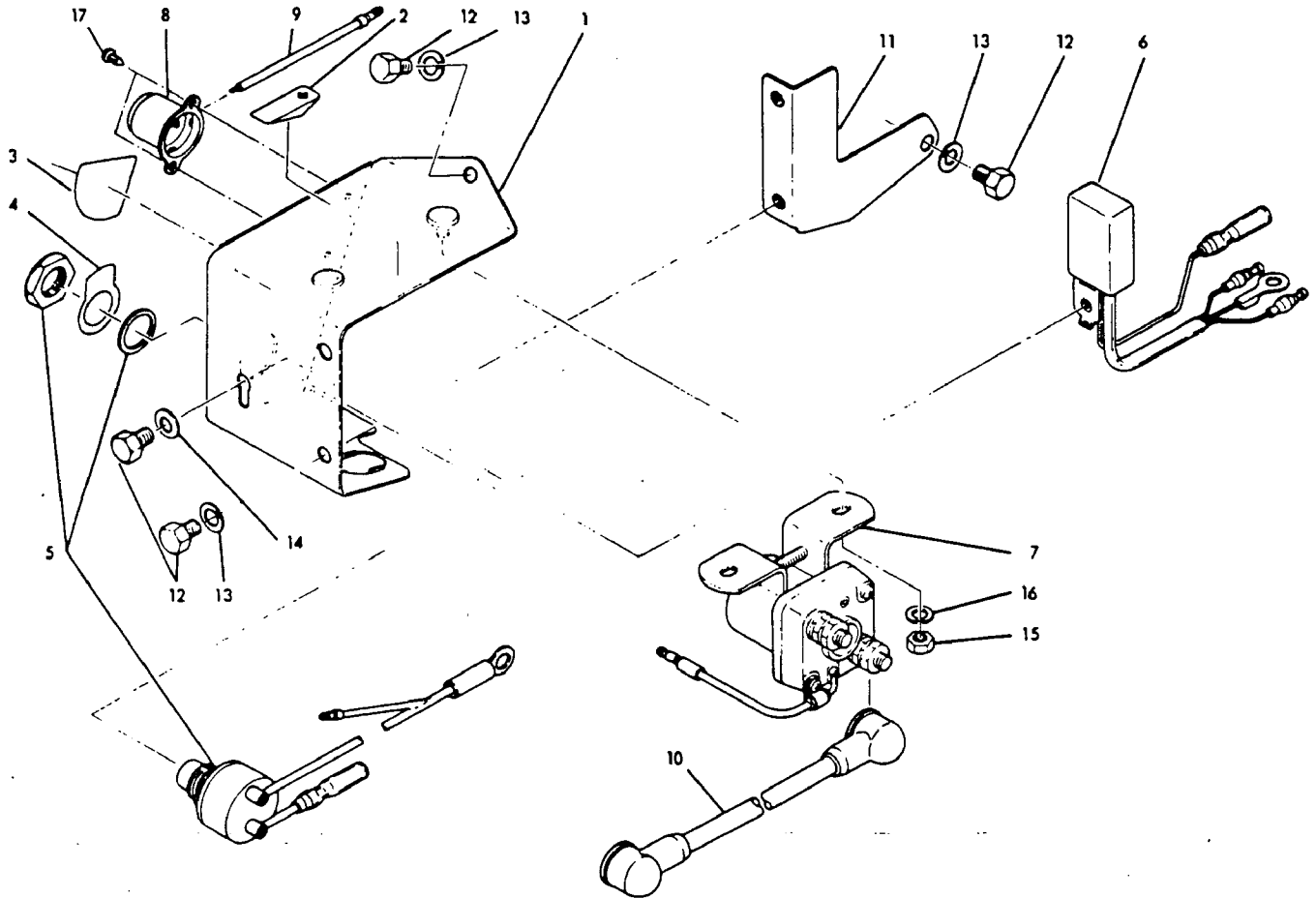
Ref. No.	Part Number	Description	No. Req.	Ref. No.	Part Number	Description	No. Req.
1	EY 2137017208	FLYWHEEL, beg. with S/N 75320 EY 2137015608 previous to S/N 75320 Includes: EY 2077100203 RING GEAR .....	1	11		OIL FELT, breaker .....	1
2			1	12		LEAD WIRE .....	1
3	EY 2137013018	IGNITION COIL, beg. with S/N 75320 EY 2077010208 previous to S/N 75320	1	13		SCREW, point bracket mounting ..... 4mm x 8mm long, round head.	1
4	EY 0043506250	SCREW - WASHER assembly, ignition coil, 6 mm x 25mm long, round head ..	2	14		SCREW, point cover mounting .....	2
•	EY 2067010407	POINTS and CONDENSER KIT .....	1	15	EY 2137016308	CHARGE COIL with cable .....	1
5		Beginning with Serial No. 75320 EY 2067010207 previous to S/N 75320 Kit includes: CONTACT BREAKER .....	1			Beginning with Serial No. 75320 EY 2137014508 previous to S/N 75320	1
6		CONDENSER .....	1	16	EY 0043506300	SCREW - WASHER assembly, charge coil, 6mm x 30mm long, fill. head.	2
7		WASHER, point terminal wire .....	1	17	EY 0241070070	GROMMET, charge wire .....	1
8		LOCKWASHER, point terminal wire	1	18	EY 2177500103	CLIP, charge wire grommet .....	1
9		NUT, point terminal wire .....	1				
•	EY 2067110307	HARDWARE SET, for points and cond. Beginning with Serial No. 75320 EY 2067110207 previous to S/N 75320 Consisting of: BREAKER COVER .....	1				
10			1				

When ordering parts: Always give Model, Specification and Serial Numbers of engine.



Fig. 9

## CONTROL BOX, SWITCHES and RECTIFIER Group For Model EY 27W



Ref. No.	Part Number	Description	Qty.
1	EY 2077526101	CONTROL BOX assembly ..... (Includes Ref. 2 and 3)	1
2	EY 0732001080	LABEL (BATTERY) .....	1
3	EY 0732001290	LABEL (STOP SWITCH) .....	1
4	EY 0732000410	LABEL (START SWITCH) .....	1
5	EY 2077250100	STARTER SWITCH assembly .....	1
6	EY 2177140101	DIODE RECTIFIER assembly .....	1
7	EY 2147700110	MAGNETIC SWITCH assembly .....	1
8	EY 0662000011	STOP SWITCH .....	1
9	EY 2087311201	WIRE assembly, stop switch (black)	1
10	EY 2087320901	WIRE assembly, ..... magnetic switch to starter	1
11	EY 2077606001	COVER, control box .....	1
12	EY 0016506100	SCREW, 6mm x 10mm long, hex head 1 - for rectifier mounting 1 - for control box cover 4 - for control box	6

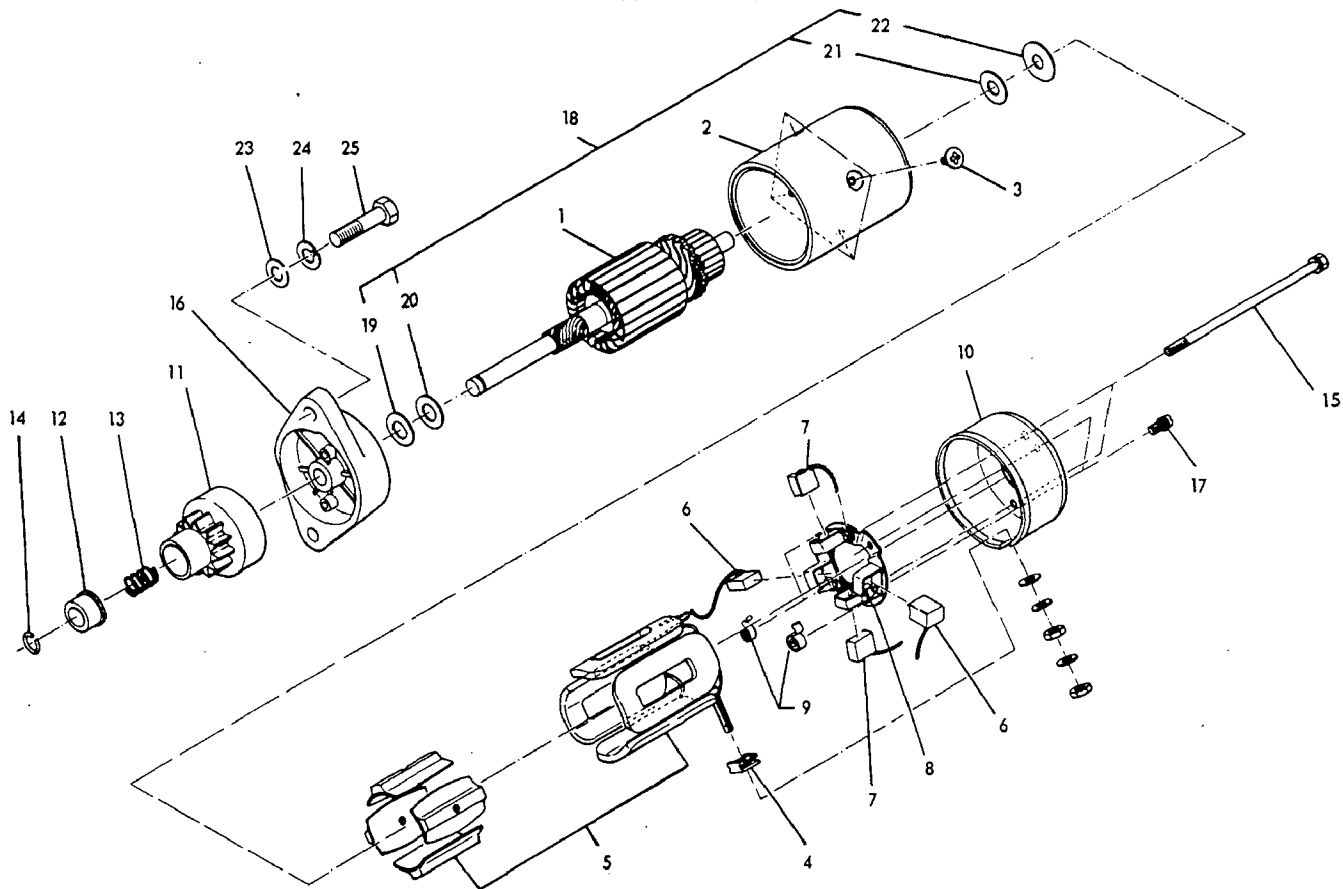
Ref. No.	Part Number	Description	Qty.
13	EY 0032006000	LOCKWASHER, 6 mm, spring lock .... 1 - for control box cover 4 - for control box	5
14	EY 0031006000	WASHER, rectifier mounting .....	1
15	EY 0021705000	NUT, magnetic switch mounting .....	2
16	EY 0032005000	LOCKWASHER, magnetic switch mt'g. 5 mm, spring lock	2
17	EY 0150040010	SCREW, stop switch mounting .....	2
		4 mm x 8 mm long, self tapping, pan head	

When ordering parts: Always give Model, Specification and Serial Numbers of engine.

# ELECTRIC STARTING MOTOR

For Model EY 27W

Fig. 10



NOTE: Items without a part number are not sold separately.

Ref. No.	Part Number	Description	Qty.
●	EY 2147050200	STARTING MOTOR complete ..... Consisting of items 1 thru 22	1
1	EY 2147055708	ARMATURE assembly .....	1
2		FRAME assembly .....	1
3		SCREW, pole core .....	4
4		INSULATOR, terminal stud .....	1
5		FIELD COIL and CORE assembly ...	1
6	EY 1137053508	BRUSH ( + ) .....	2
7	EY 1137054008	BRUSH ( - ) (See Ref. 8) .....	2
8	EY 1137053008	BRUSH HOLDER assembly .....	1
		(Includes items 7 and 9)	
9	EY 1137054508	BRUSH SPRING .....	4
10	EY 1137050508	COVER assembly, rear .....	1
11	EY 2147055908	PINION DRIVE assembly .....	1
12	EY 2147055108	COLLAR, pinion drive stop .....	1
13	EY 2147055408	SPRING, return, pinion drive .....	1

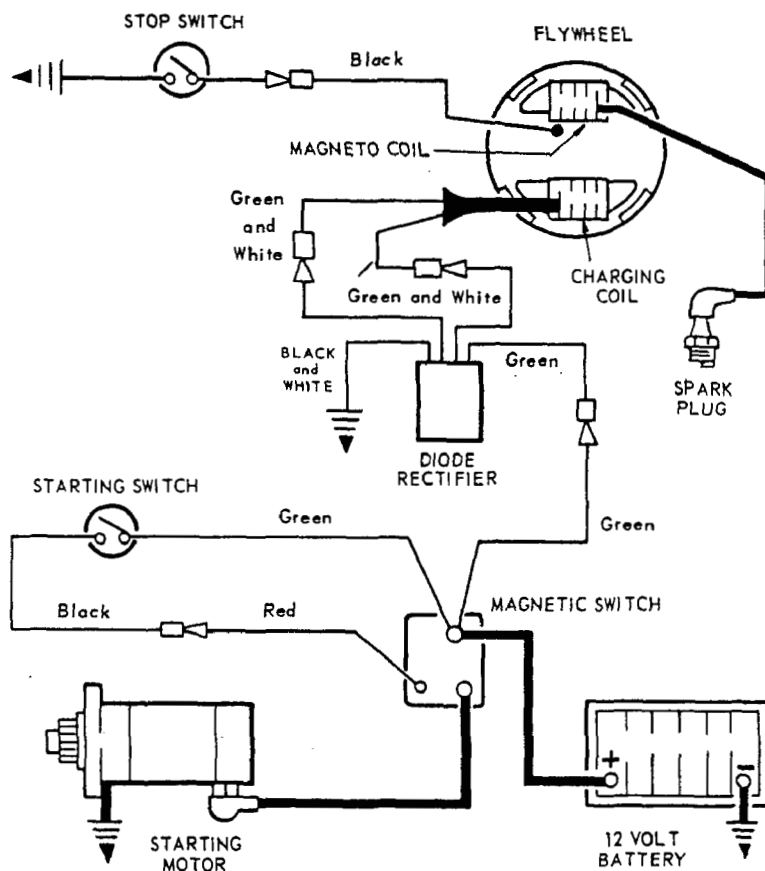
Ref. No.	Part Number	Description	Qty.
14	EY 2147055208	CLIP, pinion drive retainer .....	1
15	EY 2107052708	THRU BOLT .....	2
16	EY 2147050108	FLANGE assembly, front cover .....	1
17	EY 0043104120	SCREW, brush plate mounting .....	2
		4 mm x 12 mm long, slotted head	
18	EY 2147055508	WASHER KIT, thrust .....	1
		(Includes items 19, 20, 21, 22)	
19		THRUST WASHER, drive end .....	1
20		THRUST WASHER, drive end .....	1
21		THRUST WASHER, brush holder end	1
22		THRUST WASHER, brush holder end	1
23	EY 0031008000	WASHER, starting motor mounting ...	2
		8.4 mm I.D. x 16 mm O.D., plain steel	
24	EY 0032008000	LOCKWASHER, starting motor mt'g.	2
		8 mm spring lock	
25	EY 2147900101	SCREW, starting motor mounting .....	2
		8 mm, hex head, special	

When ordering parts: Always give Model, Specification and Serial Numbers of engine.

Fig. 11

## ELECTRICAL SYSTEM

For Model EY 27W



### BATTERY CHARGING COIL

Engines equipped with an electric starting motor are also provided with a built-in charging circuit. There are *no maintenance or adjustment* requirements because there are *no brushes, commutator or belts*. The charging coil and magnetic rotor are mounted within the flywheel – sealed off from moisture and dirt. A *diode rectifier*, mounted inside the control box, converts the charge for the battery from alternating current to direct current. The charging circuit is rated at *12 volts – 1.5 amps*.

**PRECAUTIONS** to be exercised in the use of this flywheel charging circuit:

1. **Do Not** operate engine *without* a battery in the circuit and the diode rectifier connected. To operate engine *without a battery*, disconnect the two green and white wires from charging coil to the rectifier.
2. **Do Not** reverse battery connections. This is for a *negative ground* system only.

3. **Do Not** ground any wires which terminate at connectors.
4. Disconnect at least one battery lead if a battery charger is used.
5. Never use a fast battery charger to boost the battery output.

### WIRING CIRCUIT

Use a *12 volt* battery – minimum capacity of 18 amp-hrs. Connect ground strap from *negative* post of battery to a good clean ground surface on the engine. Connections for lights or other electrical accessories can be made to the positive (+) side of the battery.

### STARTING MOTOR

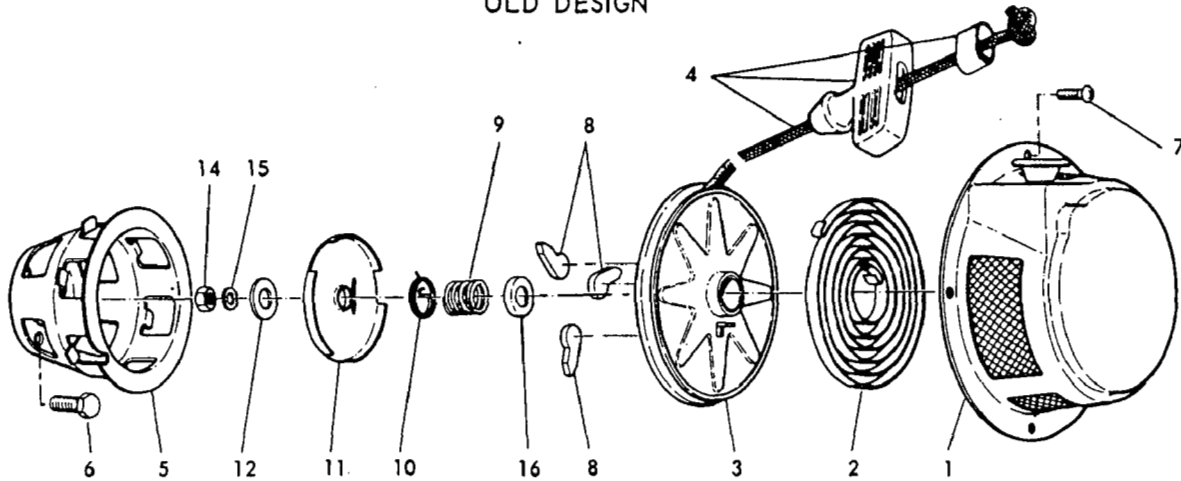
No maintenance is required other than keeping the outside of the starting motor clean, and periodic inspection for insecure mounting, loose and dirty cable connections.

# RECOIL STARTER ASSEMBLY For Model EY 27W

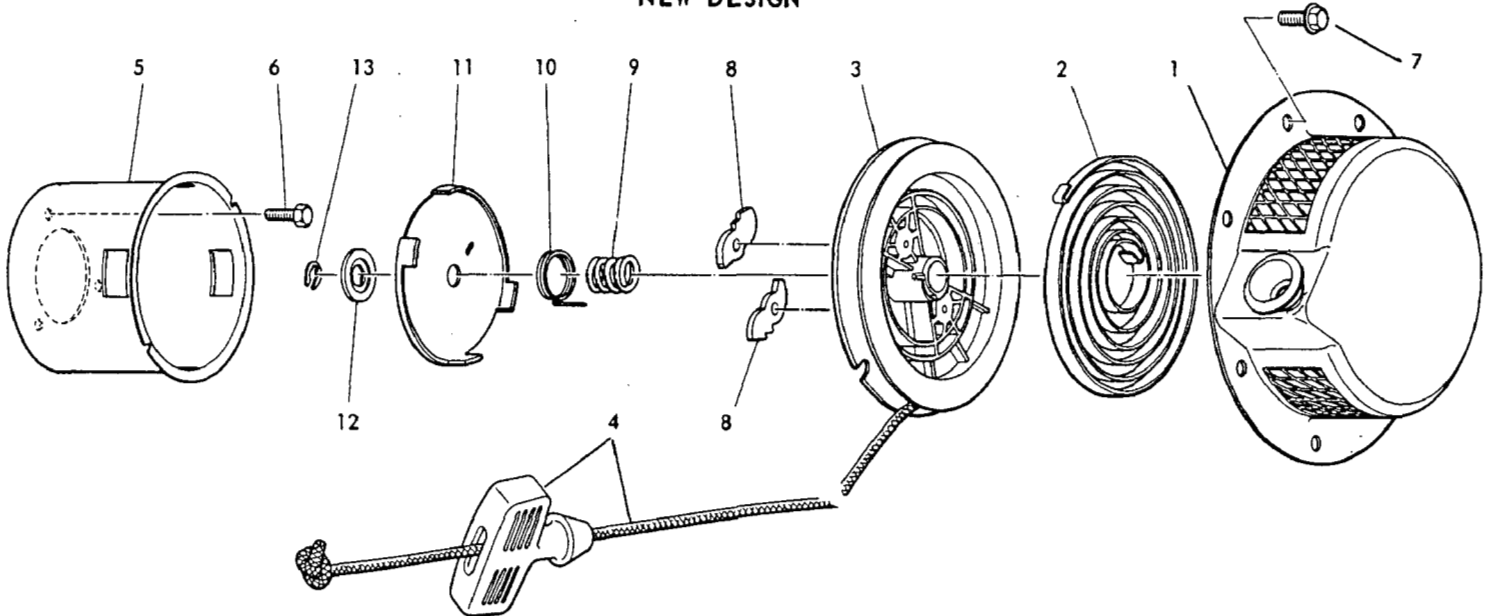
Fig. 12

**NOTE:** Beginning with engine serial number 98609 a two pawl nylon reel recoil starter replaces a three pawl steel reel starter and is interchangeable as a complete unit. Individual component parts are not interchangeable and should be serviced accordingly.

## OLD DESIGN



## NEW DESIGN



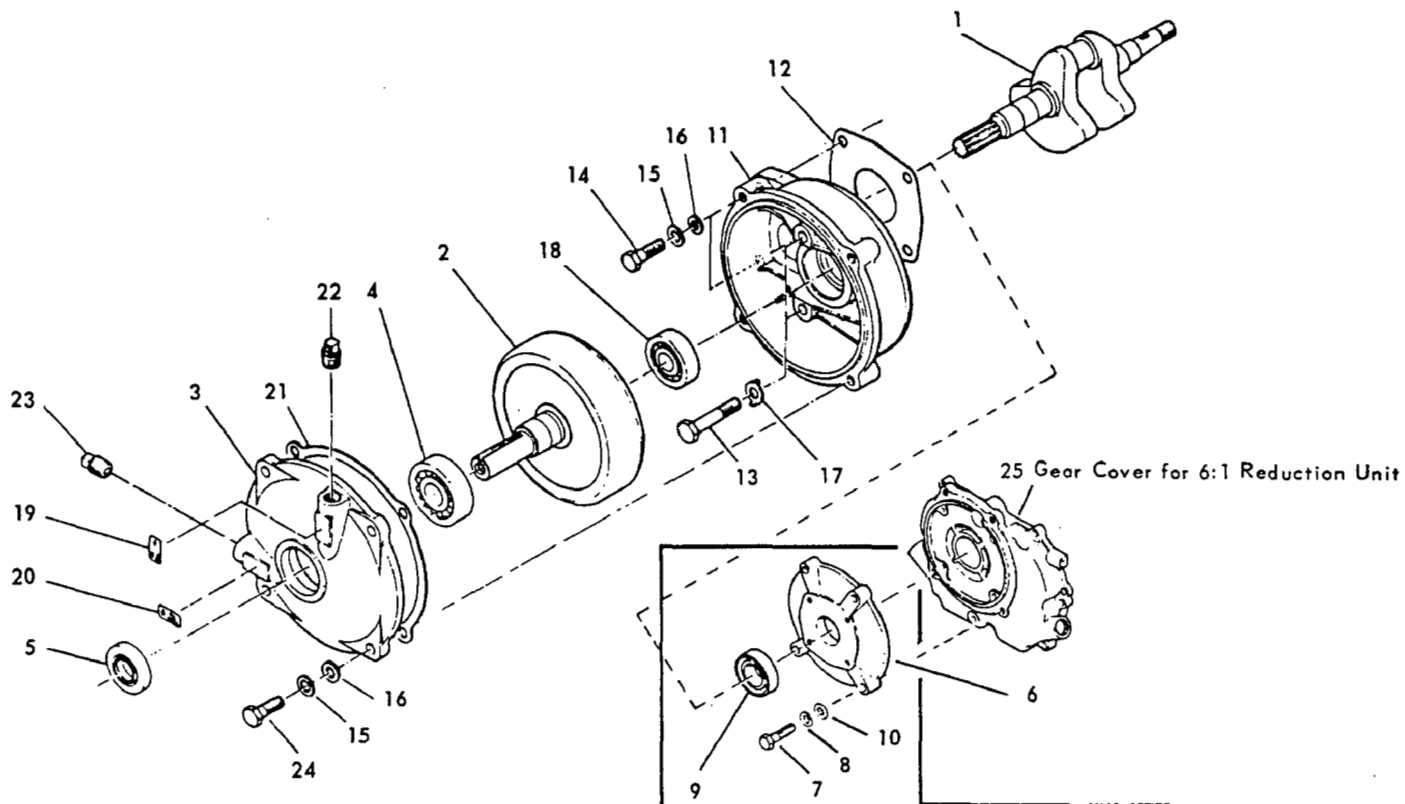
**NOTE:** Items without a part number are not sold separately.

Ref. No.	Part Number		Description	No. Req.	Ref. No.	Part Number		Description	No. Req.
	NEW	OLD				NEW	OLD		
•	EY 2075026020	EY 2075026000	RECOIL STARTER .... Complete.	1	•	EY 2075010117	EY 2075010107	HARDWARE KIT .....	1
1			HOUSING .....	1		Consisting of:			
2	EY 1065011608	EY 2065011508	POWER SPRING .....	1		Ref. No. 8, 9, 10, 11, 12, 13.	Ref. No. 8, 9, 10, 11, 12, 14, 15, 16.		
3	EY 2075012218		REEL .....	1	8			PAWL .....	2-3
4	EY 1065010808	EY 2075010708	ROPE assembly .....	1	9			SPRING, compression	1
5	EY 2075014808	EY 2075014708	PULLEY, starting .....	1	10			SPRING, return .....	1
6	EY 0016508120	EY 0016508100	SCREW, pulley mt'g. .. 8 x 12mm long, hex hd. 8 x 10mm long, hex hd.	3	11			RETAINER, pawl .....	1
7	EY 0110060010	EY 0043106080	SCREW, hsg. flange .... 6 x 10mm long, hex hd. 6 x 8mm long, pan. hd.	4	12			WASHER, retainer spac.	1
					13			CLIP, retainer mt'g. ...	1
					14			NUT, retainer, 8mm ....	1
					15			WASHER, retainer nut .	1
					16			CUP, spring retainer ..	1

**When ordering parts:** Always give Model, Specification and Serial Numbers of engine.

Fig. 13

6:1 GEAR REDUCTION UNIT For Model EY 27W



**-OBSOLETE-** Discontinued as of Serial No. 72502. Used with obsolete EY 2071100101 Gear Cover and EY 2072930101 Crankshaft.

Ref. No.	Part Number	Description	No. Req.
1	EY 2072930111	CRANKSHAFT with gear ..... Beginning with Serial No. 72502. EY 2072930101 previous to S/N 72502.  NOTE: When stock is depleted - Use new Crankshaft, Gear Cover, and omit Adapter Ref. 6.	1
2	EY 2078110103	DRIVE SHAFT-GEAR assembly .....	1
3	EY 2078070101	COVER assembly, reduction unit ..... Includes Ref. 4, 5, 19, 20.	1
4	EY 0600300020	BEARING, take-off end .....	1
5	EY 0440300030	OIL SEAL, take-off end .....	1
6	EY 2078520103	ADAPTER, (obsolete as of S/N 72502). For replacement see Ref. 1 note.	1
7	EY 0101100010	SCREW, adapter mounting ..... 3/8-16 x 1/4" (32mm) long.	4
8	EY 0032010000	LOCKWASHER, adapter mounting ..... 10mm, spring lock.	4
9	EY 0440250020	OIL SEAL, adapter .....	1
10	EY 0031010000	WASHER, adapter mounting ..... 10mm, plain steel.	4
11	EY 2078010103	HOUSING, reduction unit ..... Includes Ref. 18.	1
12	EY 2068510103	GASKET, housing mounting .....	1
13	EY 0101080030	SCREW, housing mounting (inner) ..... 5/16-24 x 1/4" (45mm) long.	2

Ref. No.	Part Number	Description	No. Req.
14	EY 0101080040	SCREW, housing mounting (outer) ..... 5/16-24 x 1" (25mm) long.	2
15	EY 0032008000	LOCKWASHER, 8mm spring lock ..... 2- for housing (outer). 4- for cover mounting.	6
16	EY 0031008000	WASHER, 8mm, plain steel ..... 2- for housing (outer). 4- for cover mounting.	6
17	EY 0033808000	LOCKWASHER, housing, (inner) ..... 8mm, tab type.	2
18	EY 0600150020	BEARING, housing .....	1
19	EY 2069500103	LABEL, oil fill .....	1
20	EY 2069500203	LABEL, oil level .....	1
21	EY 2068510203	GASKET, cover to housing .....	1
22	EY 2068500103	PLUG, oil filler, 'VENTED' ..... 1/4" sq. head, NPT.	1
23	EY 2068500203	PLUG, oil level ..... 1/4" sq. head, NPT.	1
24	EY 0016608250	SCREW, cover mounting ..... 8mm x 25mm long, hex head.	4
25	EY 2071180101	GEAR COVER assembly ..... Beginning with Serial No. 72502. Includes EY 0440250020 Oil Seal EY 2071100101 previous to S/N 72502.	1

When ordering parts: Always give Model, Specification and Serial Numbers of engine.