

1. ENGINE

Interchangeability

Ref. No.	Part Number	Part Name	Q'ty	Description	FOB JAPAN IN U.S.\$
* 1	EC03F-0099	CRANKCASE, complete Includes items 2 thru 4	1		
2	044 01299 91	OIL SEAL	2		
3	060 01299 20	BALL BEARING	2		
4	EC03F-1505A	GASKET, crankcase	1		
5	EC03F-1010B	CYLINDER	1		
6	EC03F-5101/3A-D	CYLINDER COVER	1		
7	065 01498 10	SPARK PLUG	1	NGK BM-7A	
8	EC03F-1501B	GASKET, cylinder	1		
9	EC03F-5402-D	FAN COVER	1		
10	EC03F-0299/1C	CRANKSHAFT ASSEMBLY	1		
11	EC03F-2030A	PISTON	1		
12	KN21-206A	PISTON RING	2		
13	EC03F-2032	PISTON PIN	1		
14	056 50799 90	CLIP	2		
*15	EC03F-0599A	RECOIL STARTER Includes items 16 thru 23	1		
16	A57203800000	STARTER KNOB	1		
17	A60002600000	SPIRAL SPRING	1		
18	A57110810000	STARTER ROPE	1		
19	A54102600200	REEL	1		
20	A55002610000	RATCHET	1		
21	A60102600000	FRICTION SPRING	1		
22	A56002600291	FRICTION PLATE	1		
23	A60503210000	RETURN SPRING	1		

EC03F (HOFFCO)

1. ENGINE

Interchangeability

Ref. No.	Part Number	Part Name	Q'ty	Description	FOB JAPAN IN U.S.\$
24	EC03F-5201/1A	PULLEY	1		
25	EC03F-0301/2A-TA	MUFFLER, complete	1		
26	EC03F-3021A	BOLT, muffler	2		
27	EC03F-3995	WASHER	2		
28	EC03F-3901A	GASKET, muffler	1		
29	EC03F-3201/3	MUFFLER COVER	1		
30	EC03F-0611	RUBBER TUBE, complete	1		
31	EC01A-6070	HOSE CLAMP	1		
32	EC03F-6001/2	FUEL TANK	1		
*33	EC01A-6040	FILTER ASSEMBLY	1		
		Includes items 34 thru 37			
33	5-2328	BODY ASSEMBLY	1		
34	125-59	FILTER, felt	1		
35	106-17	PACKING	1		
36	108-147	RETAINER	1		
37	43-53	CLIP	1		
38	EC02-0669C	FUEL TANK CAP, complete	1		
39	EC03F-0601A-SA	TANK BAND, complete	1		
40	EC03F-6110	RUBBER CUSHION	4		
41	EC03F-6231	SPACER, tank band	4		
*42	EC03F-0799A	MAGNETO, complete	1		
		Includes item 43			
42	3M72822	FLYWHEEL	1		
43	3M70634	IGNITER	1		
44	EC03F-0702	COAD, complete	1		

1. ENGINE

Interchangeability

Ref. No.	Part Number	Part Name	Qty	Description	FOB JAPAN IN U.S.\$
45	EC03F-7001A	GROMMET	1		
46	EC03F-0098A	SPARK PLUG CAP, complete	1		
47	EC03F-3301B	INSULATOR	1		
48	EC03F-3920/1B	GASKET, insulator	1		
49	NB03D-5110B-SA	STAND	1		
50	EC02-8525	SCREW and WASHER ASSEMBLY	4		
51	011 90598 70	BOLT, socket head	4		
52	005 32031 01	WOODRUFF KEY	1		
53	EC03F-3998	SCREW	3		
54	EC02-9520	SCREW and WASHER ASSEMBLY	4		
55	EC03F-3999	BOLT, socket head	1		
56	011 90599 90	BOLT, socket head	5		
57	001 66061 60	BOLT	2		
58	003 10060 00	WASHER	1		
59	020 00699 20	WASHER	1		
60	003 20060 00	SPRING WASHER	2		
61	003 10050 03	WASHER	3		
62	EC02-7512	SCREW	1		
63	011 90599 00	BOLT, socket head	2		

2. CARBURETOR and AIR CLEANER

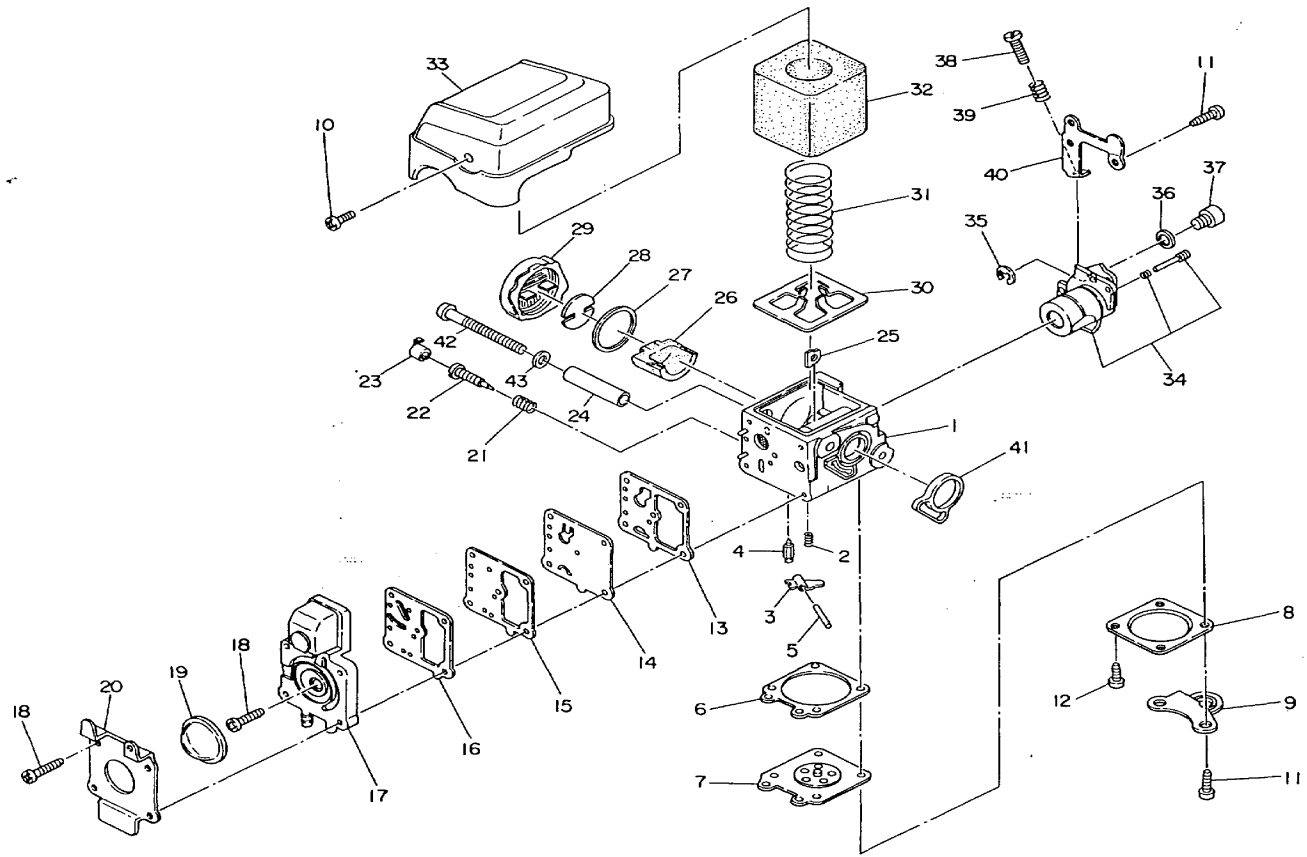
Interchangeability

Ref. No.	Part Number	Part Name	Q'ty	Description	FOB JAPAN IN U.S.\$
• 1	EC03F-0698	CARBURETOR, complete	1		
		Includes items 2 thru 41			
2	98-189	SPRING, metaling lever	1		
3	166-48	METALING LEVER	1		
4	82-67	INLET NEEDLE VALVE	1		
5	144-77	PIN, metaling lever	1		
6	92-146	GASKET, metaling diaphragm	1		
7	95-526	METALING DIAPHRAGM ASSEMBLY	1		
8	21-158	COVER, metaling diaphragm	1		
9	167-86	BRACKET, cable	1		
10	96-592	SCREW, cleaner cover	2		
11	96-316	SCREW	4		
12	96-296	SCREW, metaling cover	2		
13	92-223	GASKET, pump	1		
14	95-88	DIAPHRAGM, pump	1		
15	157-275	PLATE, pump	1		
16	92-250	GASKET, plate	1		
17	21-790	PUMP COVER ASSEMBLY	1		
18	96-295	SCREW, pump	5		
19	188-11	PRIMER PUMP	1		
20	167-98	BRACKET, primer pump	1		
21	98-438	SPRING, needle	1		
22	102-374	NEEDLE, hi-speed	1		
23	68-20	NEEDLE STOP	1		
24	122-157	MOUNTING SLEEVE	2		

2. C/ 3URETOR and AIR CLEANER

←Interchangeability

Ref. No.	Part Number	Part Name	Q'ty	Description	FOB JAPAN IN U.S.\$
25	157-263	PLATE, mounting sleeve	2		
26	125-53	WICK, filter	1		
27	92-242	GASKET, intake cap	1		
28	157-292	PLATE, wick	1		
29	25-71	CAP, intake	1		
30	157-294	CLEANER PLATE	1		
31	98-3018	SPRING, filter	1		
32	125-54	FILTER, air cleaner	1		
33	21-444	COVER, air cleaner	1		
34	34-523	VALVE ASSEMBLY, throttle	1		
35	16-71	RETAINER RING	1		
36	136-90	WASHER	1		
37	52-18	SWIVEL	1		
38	96-294	SCREW, idle adjust	1		
39	98-323	SPRING, idle adjust	1		
40	167-100	BRACKET, idle screw	1		
41	16-101	RING PACKING	1		
42	EC02-7450	SCREW	2		
43	003 10040 00	WASHER	2		



3. ACCESSORIES

Interchangeability

Ref. No.	Part Number	Part Name	Q'ty	Description	FOB JAPAN IN U.S.\$
* 1	NB31-2051	CLUTCH, complete	1		
		Includes items 2 thru 5			
1	NB04D-2103	CLUTCH SHOE	3		
2	NB04D-2105	CLUTCH SPRING	3		
3	NB31-2103	CLUTCH BOLT	3		
4	NB02A-206	WASHER (A)	3		
5	NB02A-207	WASHER (B)	3		
6	EC03F-0801	CLUTCH DRAM, complete	1		
7	003 14320 00	SNAP RING, inner	1		
8	NB25-2115	BALL BEARING	1		
9	003 15120 00	SNAP RING, outer	1		
10	EC03F-8010-D	PIPE CASE HOLDER	1		
11	011 90599 50	BOLT, socket head	4		
12	001 66062 50	BOLT	1		
13	003 20060 00	SPRING WASHER	1		

