

OEM PARTS MANUAL

Model

EC04ER*5303

Grass-Craft

ENGINE

PUB-EP1382
Rev. 7/99

MANUAL LAYOUT

① — SECTION 6 **FUEL GROUP** **④**

② — FIG. 600

DETAIL A

① — SECTION 6 **FUEL GROUP** **⑥** **⑦** **⑨**

REF.	PART NO.	DESCRIPTION	QTY	REMARKS	FROM-TO	FIG.
10	267-60103-01	FUEL TANK CP	1	YD, YS TYPE, BLACK	2101-	600
	267-60101-01	FUEL TANK CP	1	YELLOW	-2100	600
27	073-20039-00	LABEL, WARNING	1	YD, YS TYPE		600
30	043-04300-15	FUEL TANK CAP CP	1			600
31	267-95201-03	LABEL, EMISSION	1	YD, YS TYPE		600
40	064-13600-10	FUEL FILTER	1			600
50	064-20021-01	FUEL STRAINER AY	1			600
-1	064-20002-20	FILTER	1			600
-2	064-20002-30	GASKET	1			600
-3	064-20019-10	CUP	1			600
-4	064-20003-20	NUT	1			600

1. SECTION NAME Parts are broadly classified according to their functions. Refer to the Group Index (table of contents) for respective section name.
2. FIG. No. The FIG. number indexes the reference and part numbers to the illustration. Figure numbers that vary only in the tens place (i.e.: 700 and 710) are in a group of the same section (i.e.: Electrical Device Group).
3. REF. No. The Reference number identifies the part illustration with the corresponding part number in the part list.
4. SUBASSEMBLY SUBASSEMBLY parts of part assembly are listed below the assembly part. The subassembly part reference number is indicated by the number led by "-" such as "-1", "-2".
5. PART NUMBER It is the number assigned for sales unit. Use the PART No. when making an order.
6. DESCRIPTION It is designation of the part.
7. QTY. Quantity of each part used for each product.
8. REMARKS This gives a distinctive feature and/or a supplementary comment for the type, the specification, and the part concerned. It also shows part number(s) interchangeable for the part.
9. FROM-TO This section shows the CODE No. to indicate the history of progress in which improved parts have been introduced in the product. The FROM-TO CODE No. helps to identify PART No. being employed in the product concerned. See the examples below:
 - The part is used in the product irrespective of CODE No.
 - 2101- The part is used in the products with CODE No. of 2101 and after this number.
 - 2100 The part is used in the products with CODE No. of 2100 and before this number.

GROUP INDEX

Group Name	Page
CRANKCASE & CYLINDER GROUP	4
CRANKSHAFT & PISTON GROUP	6
INTAKE and EXHAUST GROUP	8
COOLING and STARTING GROUP	10
FUEL GROUP	12
CARBURETOR	14
ELECTRIC DEVICE GROUP	16

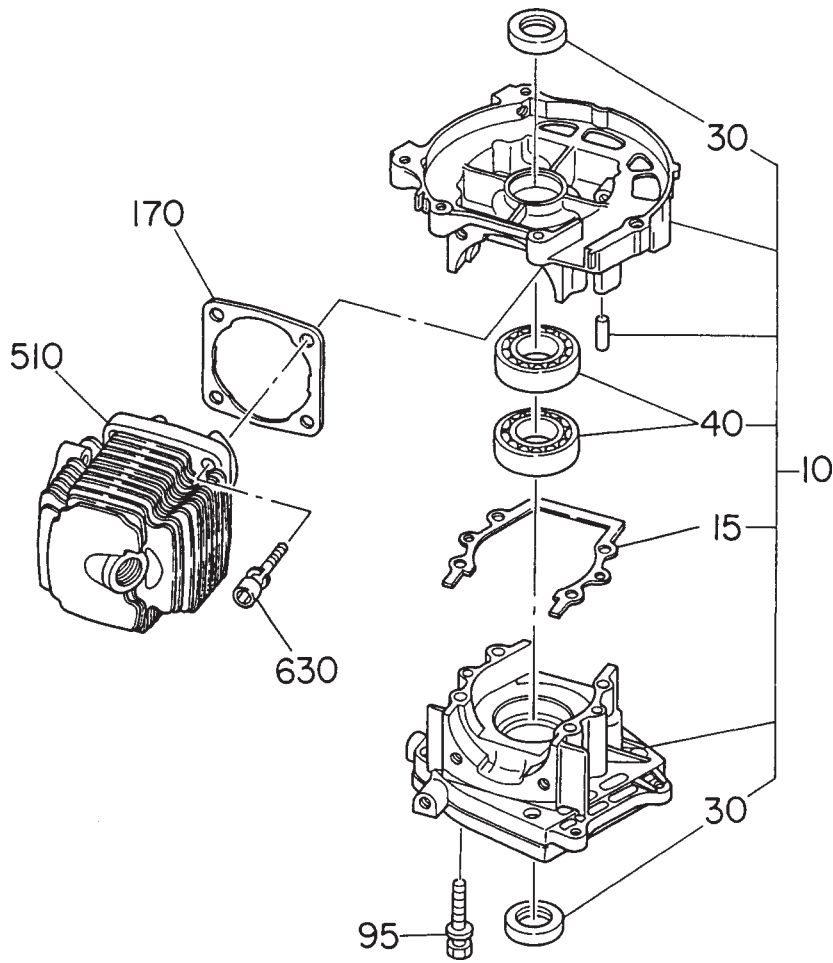
INDEX OF DESCRIPTION SYMBOLS			
SYMBOL	DESCRIPTION	SYMBOL	DESCRIPTION
AY	ASSEMBLY	P=	PITCH (in mm)
CP	COMPLETE	P.T.O. (PTO)	POWER TAKE OFF
EX	EXPORT (from Japan)	REF.	REFERENCE
FIG.	FIGURE	R.H. (RH)	RIGHT HAND SIDE
FR.	FRONT	RR.	REAR
"	INCH	STD.	STANDARD
INCL.	INCLUDE	SW	SWITCH
~L	LITER	T=	THICKNESS (in mm)
L=	LENGTH (in. mm)	UN	UNIT
L.H. (LH)	LEFT-HAND SIDE	U.S.	UNDER SIZE
MECH	MECHANICAL	~V	VOLTAGE
NO (NON)	NONE	~W	WATT
OPT.	OPTIONAL	W/	WITH
O.S.	OVER SIZE	W/O	WITHOUT

Robin America, Inc.

940 Lively Blvd. • Wood Dale, IL 60191 • Phone: 630-350-8200 • Fax: 630-350-8212
 e-mail: sales@robinamerica.com • www.robinamerica.com

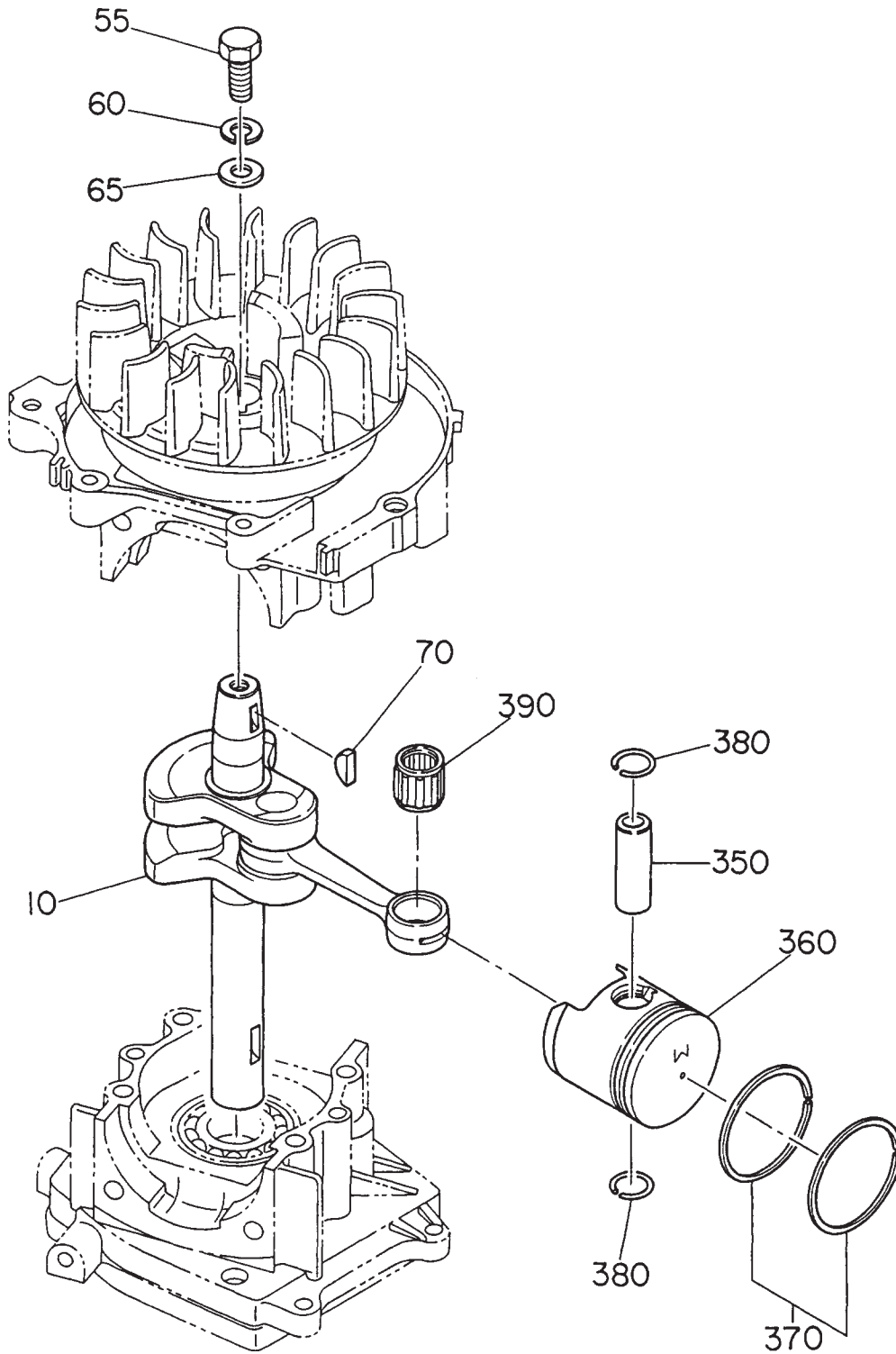
© Robin America, Inc., 1999

FIG. 100



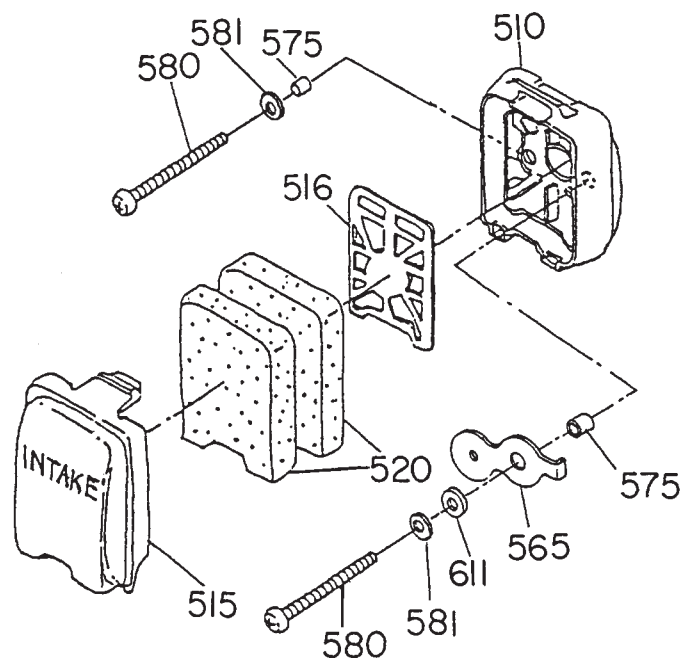
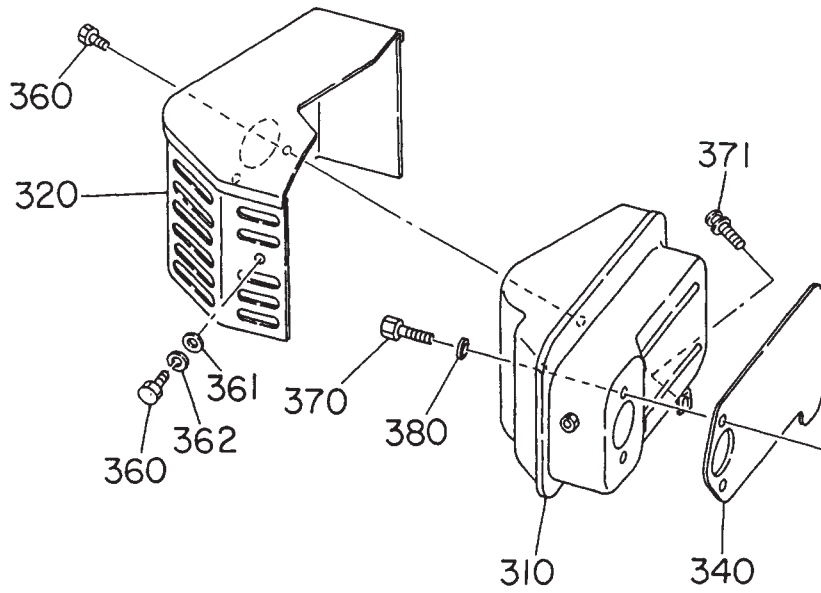
SECTION 2 CRANKSHAFT & PISTON GROUP

FIG. 200



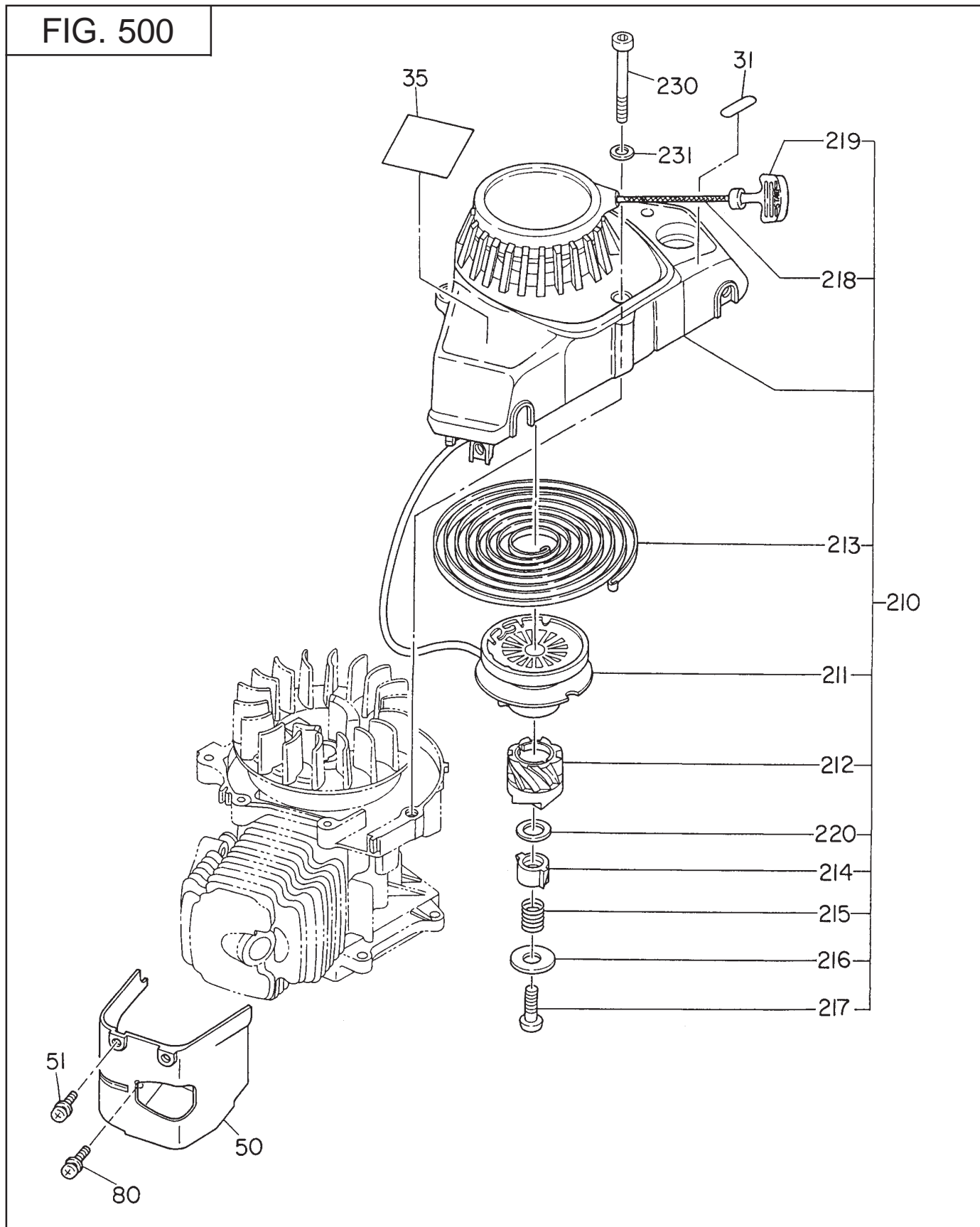
SECTION 3 INTAKE and EXHAUST GROUP

FIG. 300



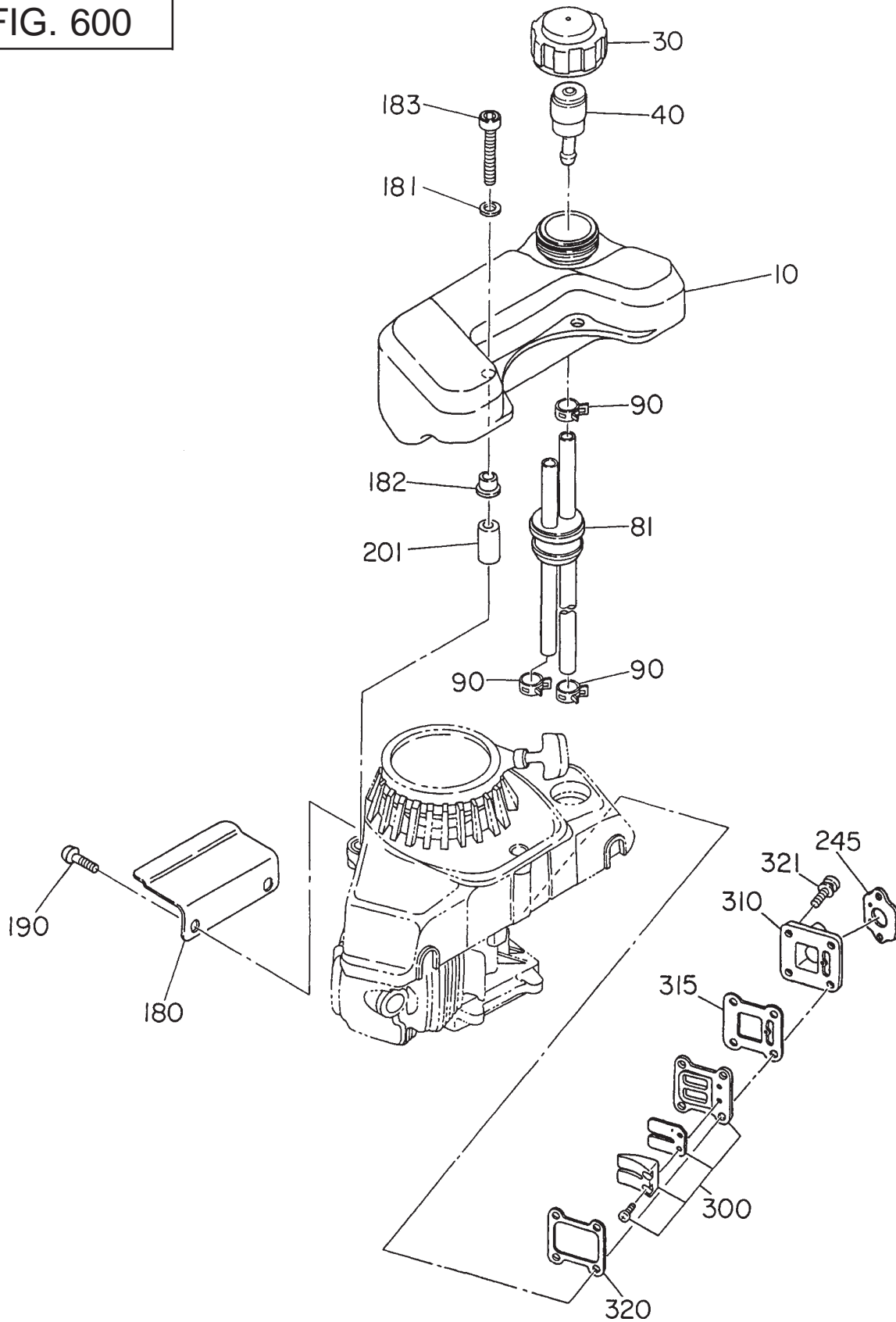
SECTION 5 COOLING and STARTING GROUP

FIG. 500



SECTION 6 FUEL GROUP

FIG. 600

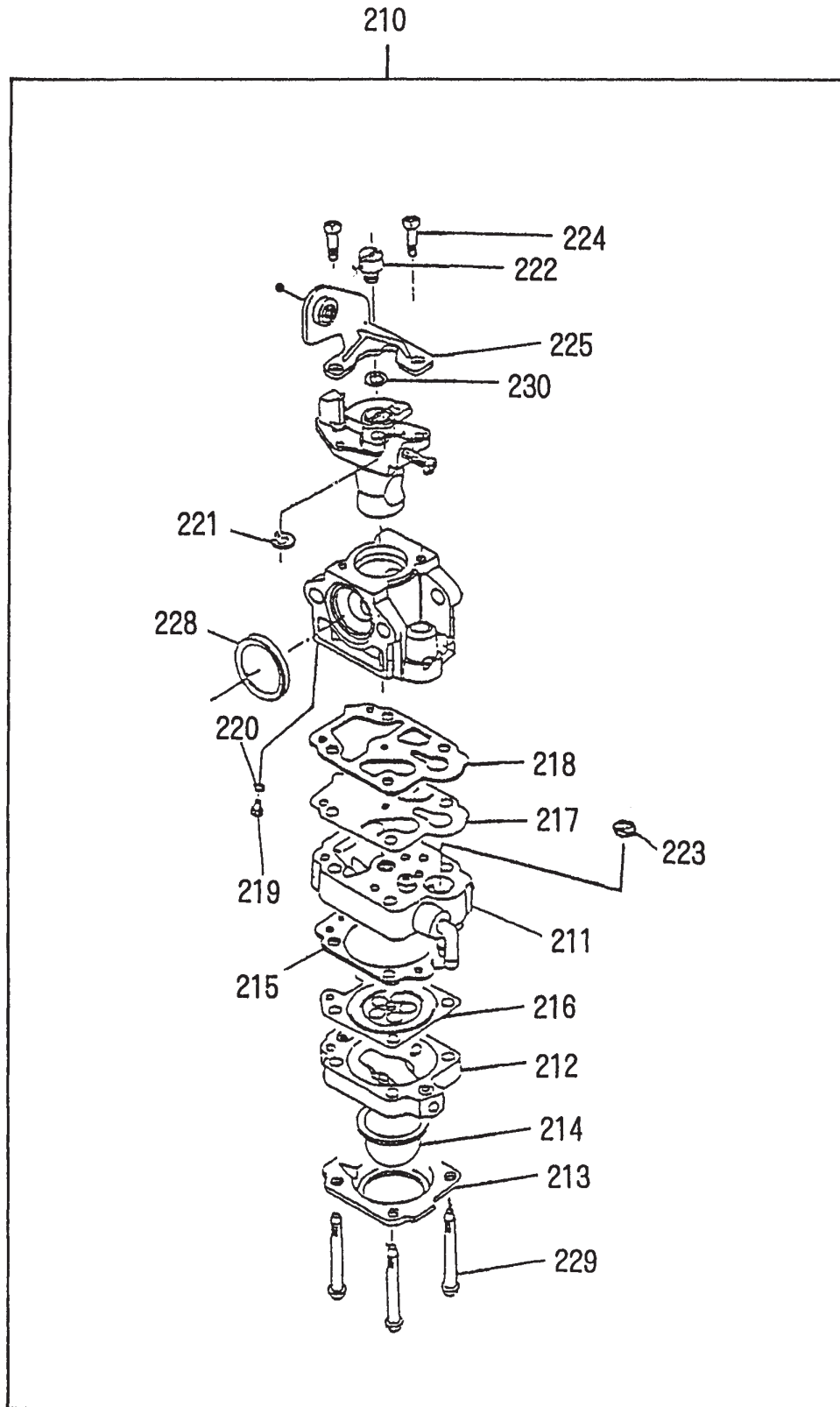
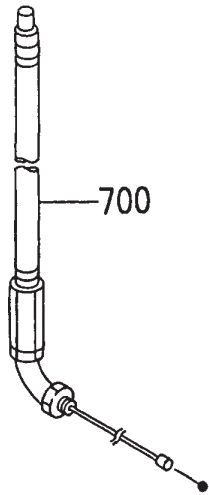


SECTION 6 FUEL GROUP

REF.	PART NUMBER	PART NAME	QTY	REMARKS	CODE NO. FROM-TO	INTERCHANGEABLE PART NUMBER	UNIT PRICE	FIG.
10	541-65037-00	FUEL TANK	1		-			600
30	531-60150-00	FUEL TANK CAP	1		-			600
40	523-65039-00	FILTER	1		-			600
81	085-12099-10	TUBE	1		-			600
90	056-10599-90	HOSE CLAMP	3		-			600
180	540-65036-00	PLATE, TANK	1		-	EC04-6207		600
181	003-12050-00	WASHER	2		-			600
182	541-65030-00	SPACER	2		-			600
183	011-90598-00	SOCKET HEADBOLT	2		-			600
190	004-37061-40	SCREW AY	2		-			600
201	541-65026-00	SPACER	2		-			600
210	541-60520-00	CARBURETOR	1		-			600
211	523-60461-30	BODY AY-PUMP	1		-			600
212	523-60460-60	BODY AY-AIR PURGE	1		-			600
213	523-60460-50	COVER	1		-			600
214	524-60011-50	PUMP	1		-			600
215	531-60052-50	DIAPHRAGM AY	1		-			600
216	523-60460-40	GASKET	1		-			600
217	524-60010-40	DIAPHRAGM	1		-			600
218	524-60010-30	GASKET	1		-			600
219	510-60280-10	JET	1		-			600
220	524-60010-10	O-RING	1		-			600
221	531-60051-20	RING	1		-			600
222	523-60180-40	SWIVEL	1		-			600
223	501-60040-10	SCREEN	1		-			600
224	524-60012-40	SCREW	2		-			600
225	523-60520-20	BRACKET	1		-			600
228	523-60180-20	RING	1		-			600
229	523-60460-10	SCREW	4		-			600
230	523-60520-30	WASHER	1		-			600
245	541-65040-00	GASKET, CARBURETOR	1		-			600
300	541-30060-00	LEAD CP	1		-			600
310	540-30480-01	INSULATOR AY	1		-			600
315	540-35006-00	GASKET, INSULATOR	1		-			600
320	541-35028-00	PACKING	1		-			600
321	011-90596-40	SOCKET HEAD BOLT	4		-			600

SECTION 6 CARBURETOR

FIG. 610

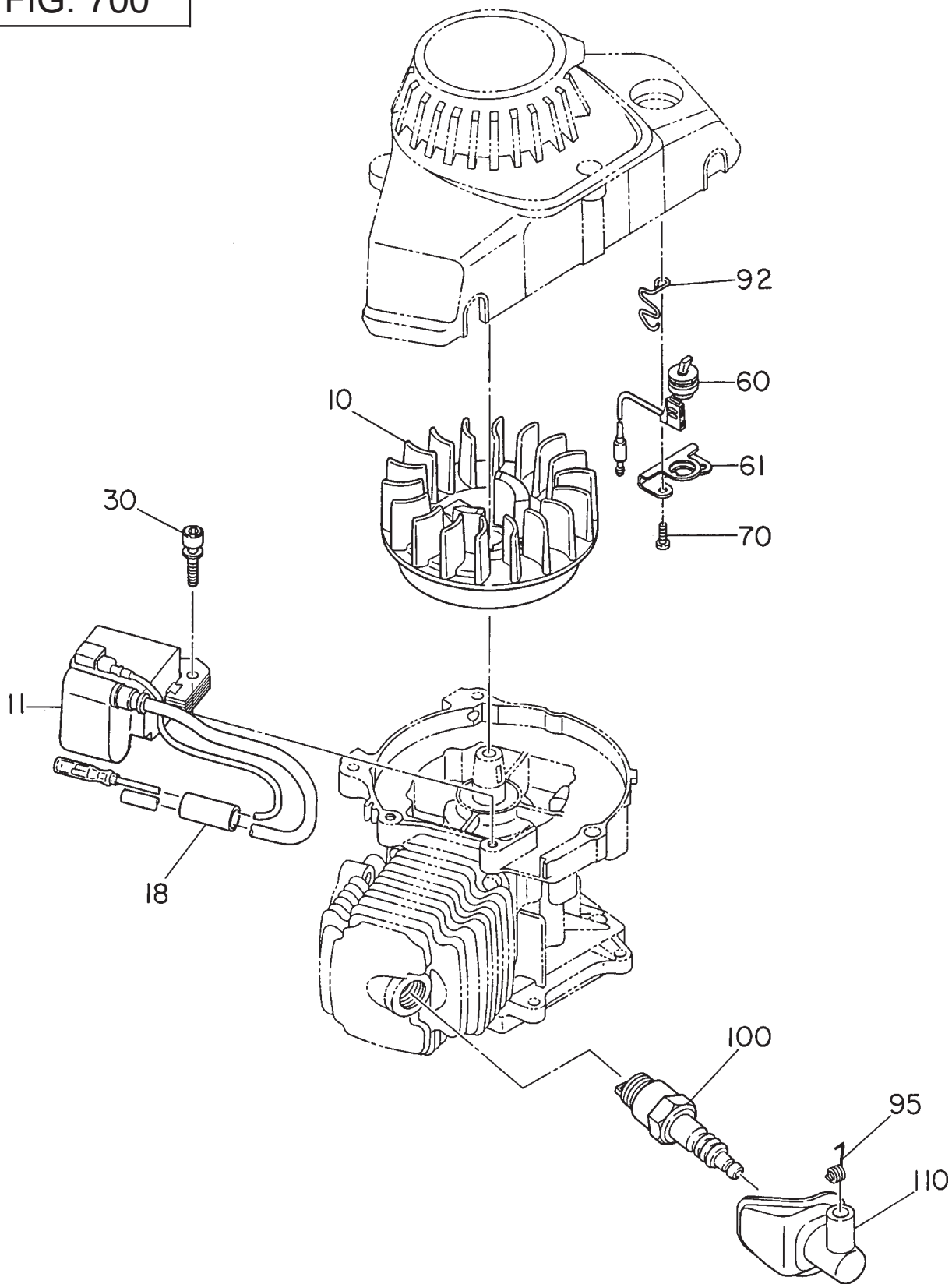


SECTION 6 CARBURETOR

REF.	PART NUMBER	PART NAME	QTY	REMARKS	CODE NO. FROM-TO	INTERCHANGEABLE PART NUMBER	UNIT PRICE	FIG.
10	541-65037-00	FUEL TANK	1		-			600
30	531-60150-00	FUEL TANK CAP	1		-			600
40	523-65039-00	FILTER	1		-			600
81	085-12099-10	TUBE	1		-			600
90	056-10599-90	HOSE CLAMP	3		-			600
180	540-65036-00	PLATE, TANK	1		-	EC04-6207		600
181	003-12050-00	WASHER	2		-			600
182	541-65030-00	SPACER	2		-			600
183	011-90598-00	SOCKET HEADBOLT	2		-			600
190	004-37061-40	SCREW AY	2		-			600
201	541-65026-00	SPACER	2		-			600
210	541-60520-00	CARBURETOR	1		-			600
211	523-60461-30	BODY AY-PUMP	1		-			600
212	523-60460-60	BODY AY-AIR PURGE	1		-			600
213	523-60460-50	COVER	1		-			600
214	524-60011-50	PUMP	1		-			600
215	531-60052-50	DIAPHRAGM AY	1		-			600
216	523-60460-40	GASKET	1		-			600
217	524-60010-40	DIAPHRAGM	1		-			600
218	524-60010-30	GASKET	1		-			600
219	510-60280-10	JET	1		-			600
220	524-60010-10	O-RING	1		-			600
221	531-60051-20	RING	1		-			600
222	523-60180-40	SWIVEL	1		-			600
223	501-60040-10	SCREEN	1		-			600
224	524-60012-40	SCREW	2		-			600
225	523-60520-20	BRACKET	1		-			600
228	523-60180-20	RING	1		-			600
229	523-60460-10	SCREW	4		-			600
230	523-60520-30	WASHER	1		-			600
245	541-65040-00	GASKET, CARBURETOR	1		-			600
300	541-30060-00	LEAD CP	1		-			600
310	540-30480-01	INSULATOR AY	1		-			600
315	540-35006-00	GASKET, INSULATOR	1		-			600
320	541-35028-00	PACKING	1		-			600
321	011-90596-40	SOCKET HEAD BOLT	4		-			600
700	063-01299-42	CONTROL CABLE	1		-			600

SECTION 7 ELECTRIC DEVICE GROUP

FIG. 700



PRINTED IN THE USA