



Robin Engine

2/20

Model EC08

for BOMAG

PARTS CATALOG

Spec. No. EC08D0840**

 **FUJI HEAVY INDUSTRIES LTD.**

ISSUE EMD-EP1358

FIG. 100

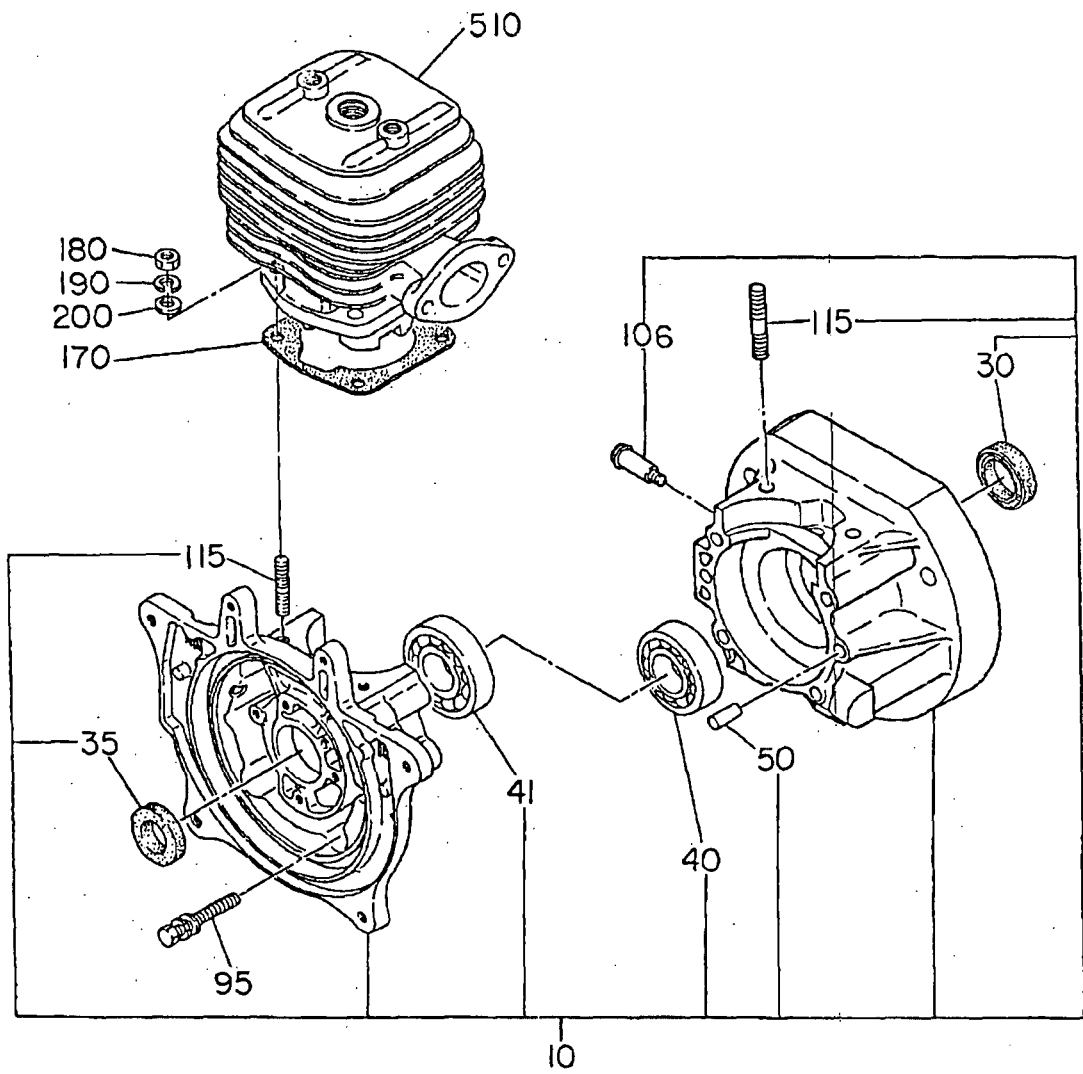
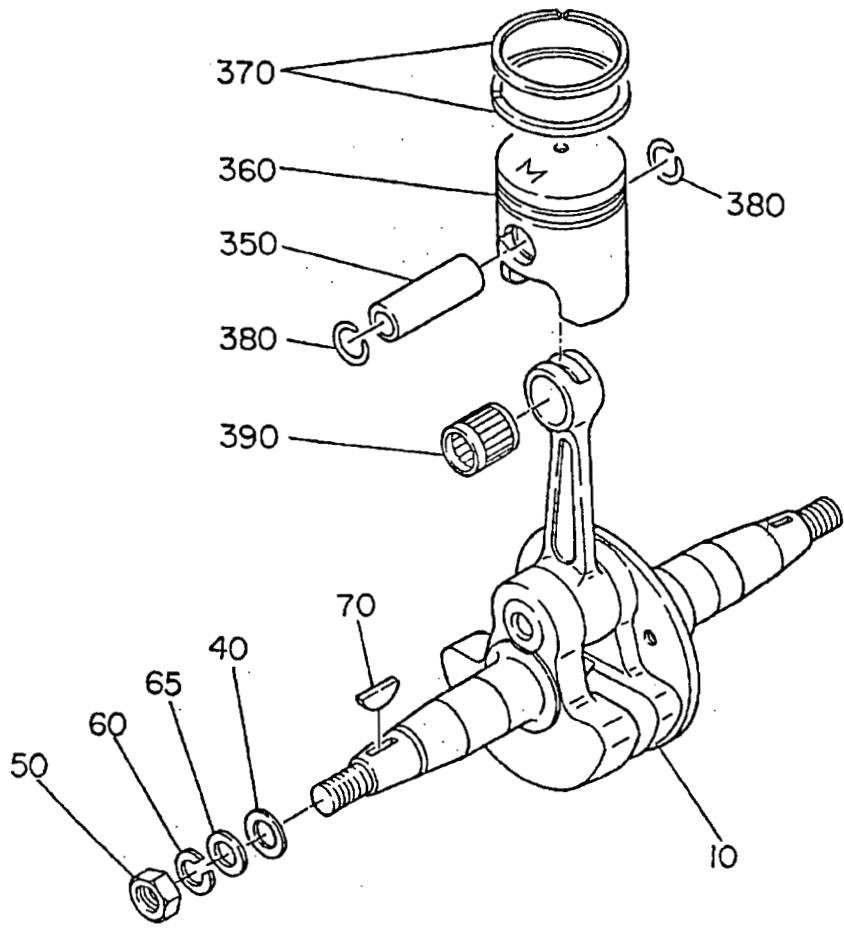


FIG. 200

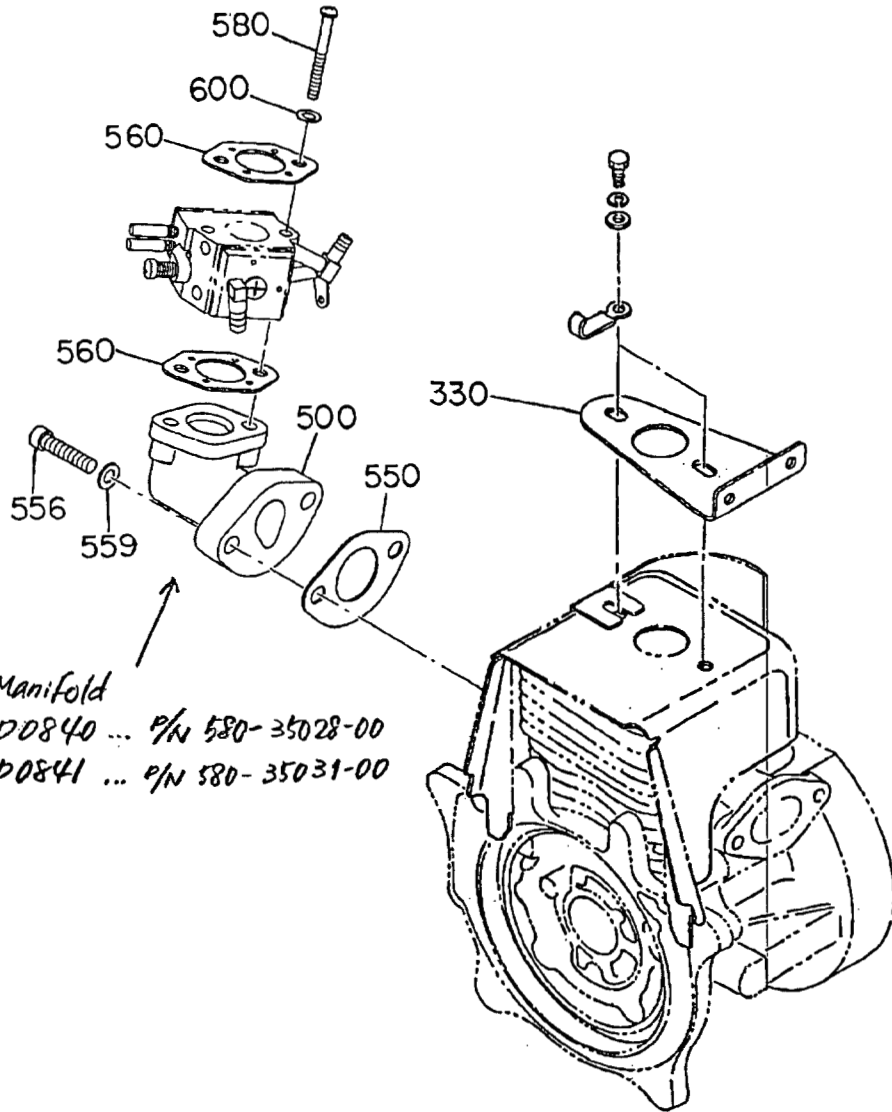


6/20

2 CRANKSHAFT PISTON

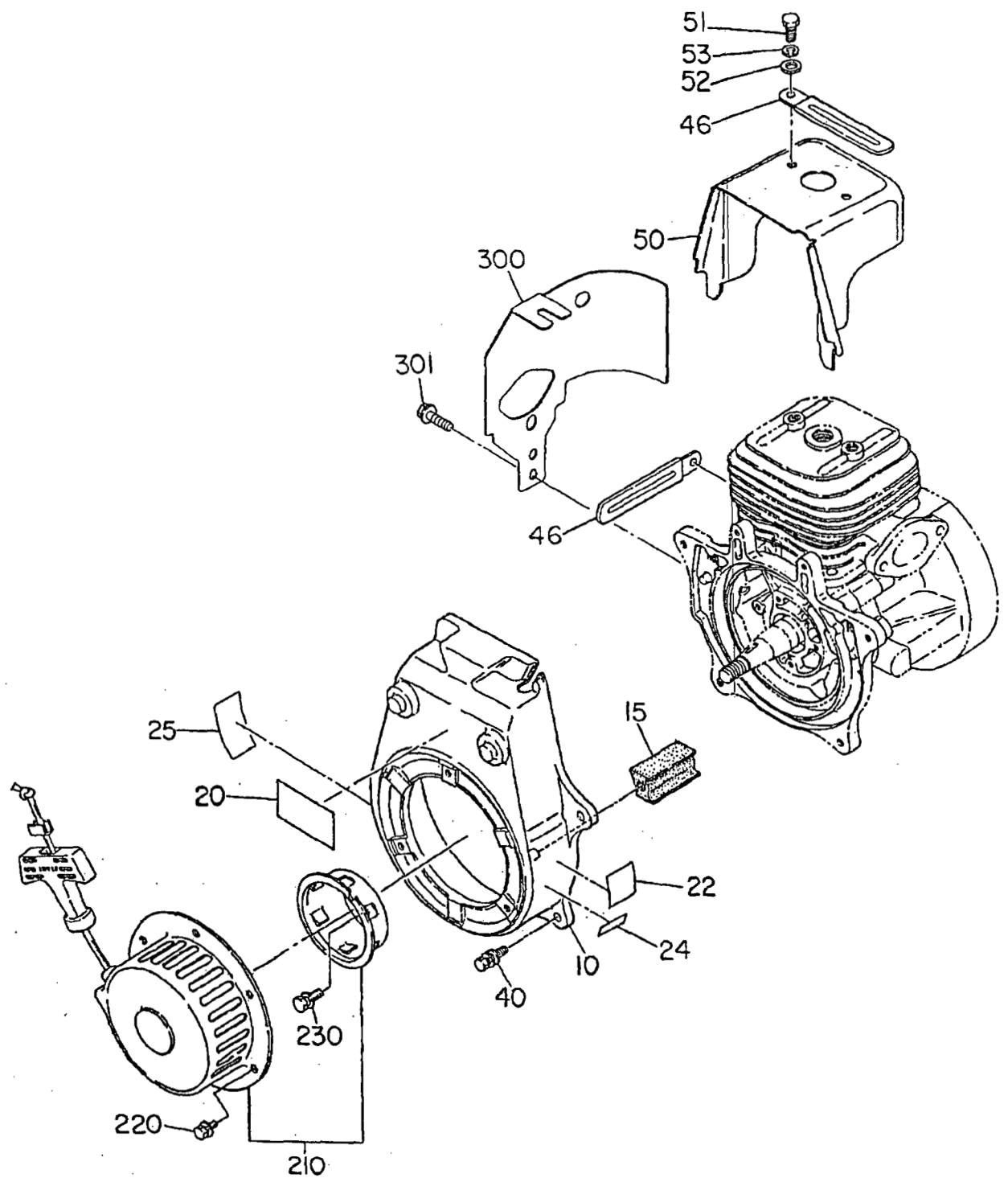
REF.	PART NUMBER	PART NAME	QTY	REMARKS	CODE NO. FROM-TO	INTERCHANGEABLE PART NUMBER	UNIT PRICE	FIG.
10	580-20290-01	CRANKSHAFT AY	1		-			200
40	129-25001-03	SPACER	2		-			200
50	002-18100-00	NUT	1		-			200
60	003-20100-00	SPRING WASHER	1		-			200
65	003-10100-00	WASHER	1		-			200
70	032-30499-50	WOODRUFF KEY	1		-			200
350	580-25007-00	PISTON PIN	1		-	EC08A-2105A		200
360	580-25006-00	PISTON	1		-	EC08A-2104A		200
370	500-00081-00	PISTON RING SET	1		-	EC08A-S0100		200
380	056-51199-90	CLIP	2		-	EC04-209		200
390	061-01200-10	NEEDLE BEARING	1		-			200

FIG. 300



Intake Manifold
EC08D0840 ... P/N 580-35028-00
EC08D0841 ... P/N 580-35031-00

FIG. 500



REFER TO FIG 5100

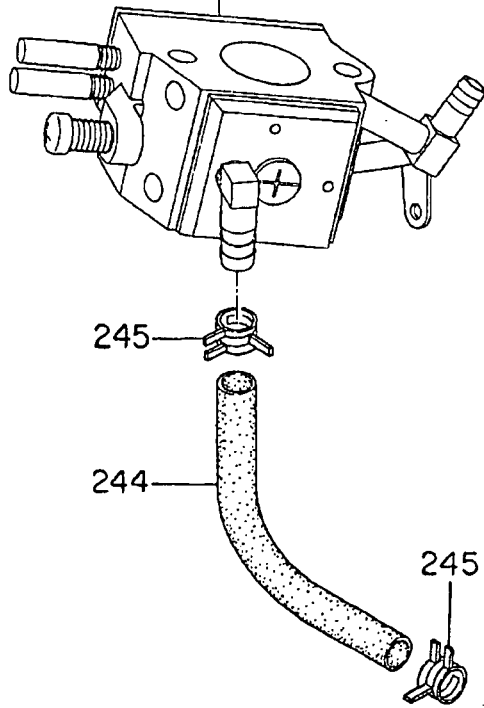
10/20

5 COOLING. STARTING

REF.	PART NUMBER	PART NAME	QTY	REMARKS	CODE NO. FROM-TO	INTERCHANGEABLE PART NUMBER	UNIT PRICE	FIG.
10	580-55017-00	BLOWER HOUSING	1		-			500
15	551-55002-00	GUIDE RUBBER	1		-	EC05A-5102		500
20	580-95035-00	LABEL, TRADE MARK	1		-			500
22	580-95038-00	LABEL, ENGINE	1		-			500
24	580-95039-00	LABEL, SERIAL	1		-			500
25	580-95005-01	LABEL, MODEL	1		-			500
40	001-11062-00	BOLT AND WASHER AY	4		-			500
46	150-75201-03	CLAMP	2		-			500
50	551-55027-00	CYLINDER COVER	1		-			500
51	001-67062-00	BOLT	2		-			500
52	003-12060-00	WASHER	2		-			500
53	003-20060-00	SPRING WASHER	2		-			500
210	580-50110-01	RECOIL STARTER AY	1		-			500
220	001-10061-00	BOLT&WASHER AY	3		-			500
230	001-10061-40	BOLT & WASHER AY	2		-			500
300	580-55016-00	AIR GUIDE	1		-			500
301	011-00600-20	FLANGE BOLT	2		-			500

FIG. 600

REFER TO FIG. 6100
210

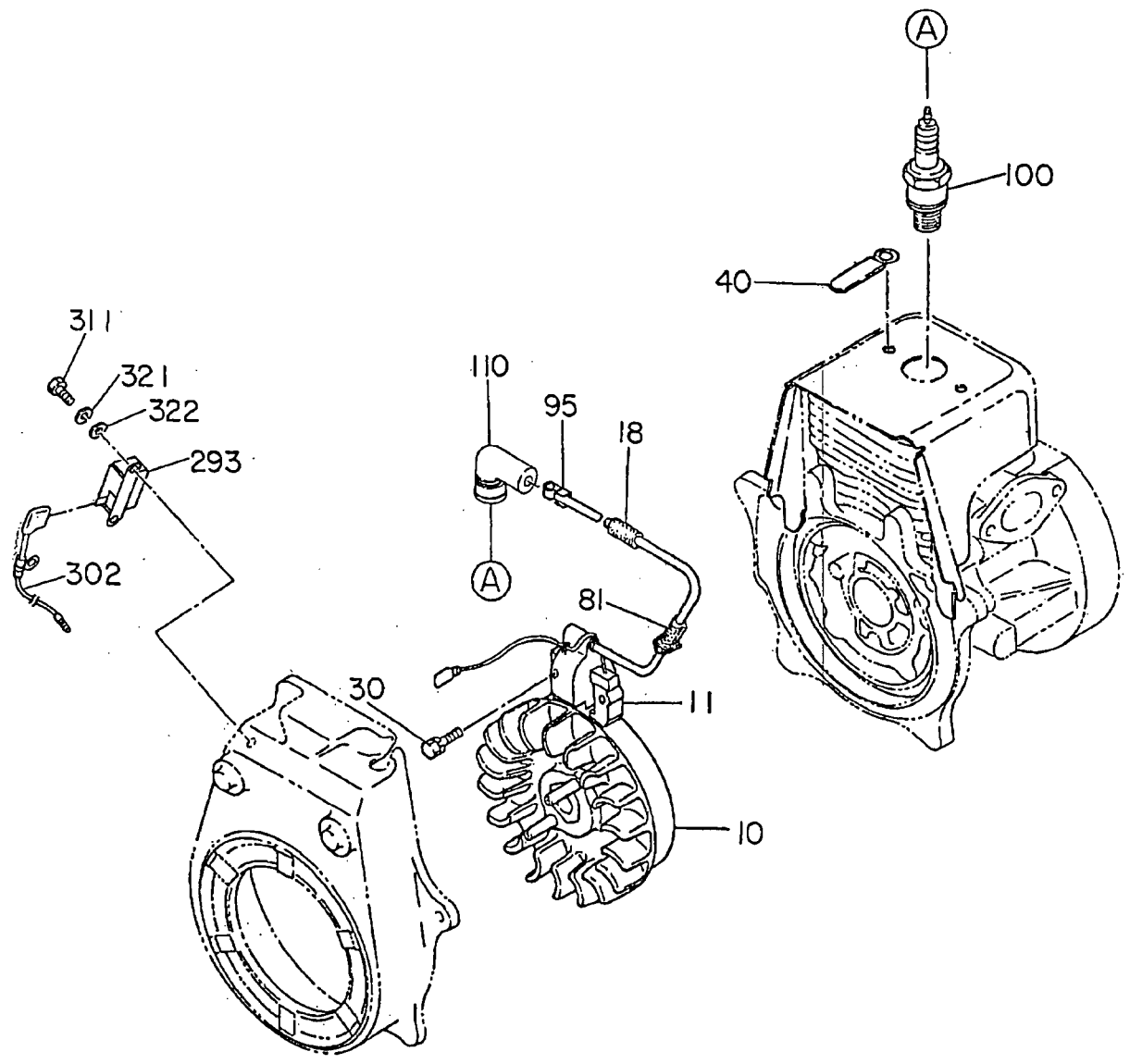


12/20

6 FUEL, LUBRICANT

REF.	PART NUMBER	PART NAME	QTY	REMARKS	CODE NO. FROM-TO	INTERCHANGEABLE PART NUMBER	UNIT PRICE	FIG.
210	580-61220-00	CARBURETOR	1		-			600
244	085-11399-40	TUBE	1		-			600
245	056-10800-20	HOSE CLAMP	2		-			600

FIG. 700



14/20

7 ELECTRIC DEVICE

REF.	PART NUMBER	PART NAME	QTY	REMARKS	CODE NO. FROM-TO	INTERCHANGEABLE PART NUMBER	UNIT PRICE	FIG.
10	580-70050-10	FLYWHEEL	1		-			700
11	580-70090-21	IGNITION COIL	1		-			700
18	085-10299-60	VINYL PIPE	1		-	EC05A-6121		700
30	001-11052-50	BOLT & WASHER AY	2		-			700
40	056-60999-50	CLAMP	1		-	EC08-0408		700
81	024-10699-80	GROMMET	1		-	EC05A-7101A		700
95	065-50001-00	PLUG TERMINAL	1		-			700
100	065-01496-70	SPARK PLUG	1		-			700
110	065-50001-40	SPARK PLUG CAP	1		-			700
293	161-71502-01	SPEED LIMTER CP	1		-			700
302	580-70100-00	LEAD WIRE CP	1		-			700
311	001-66051-00	BOLT	2		-			700
321	003-20050-00	SPRING WASHER	2		-			700
322	003-10050-00	WASHER	2		-			700

15/20

FIG. 900

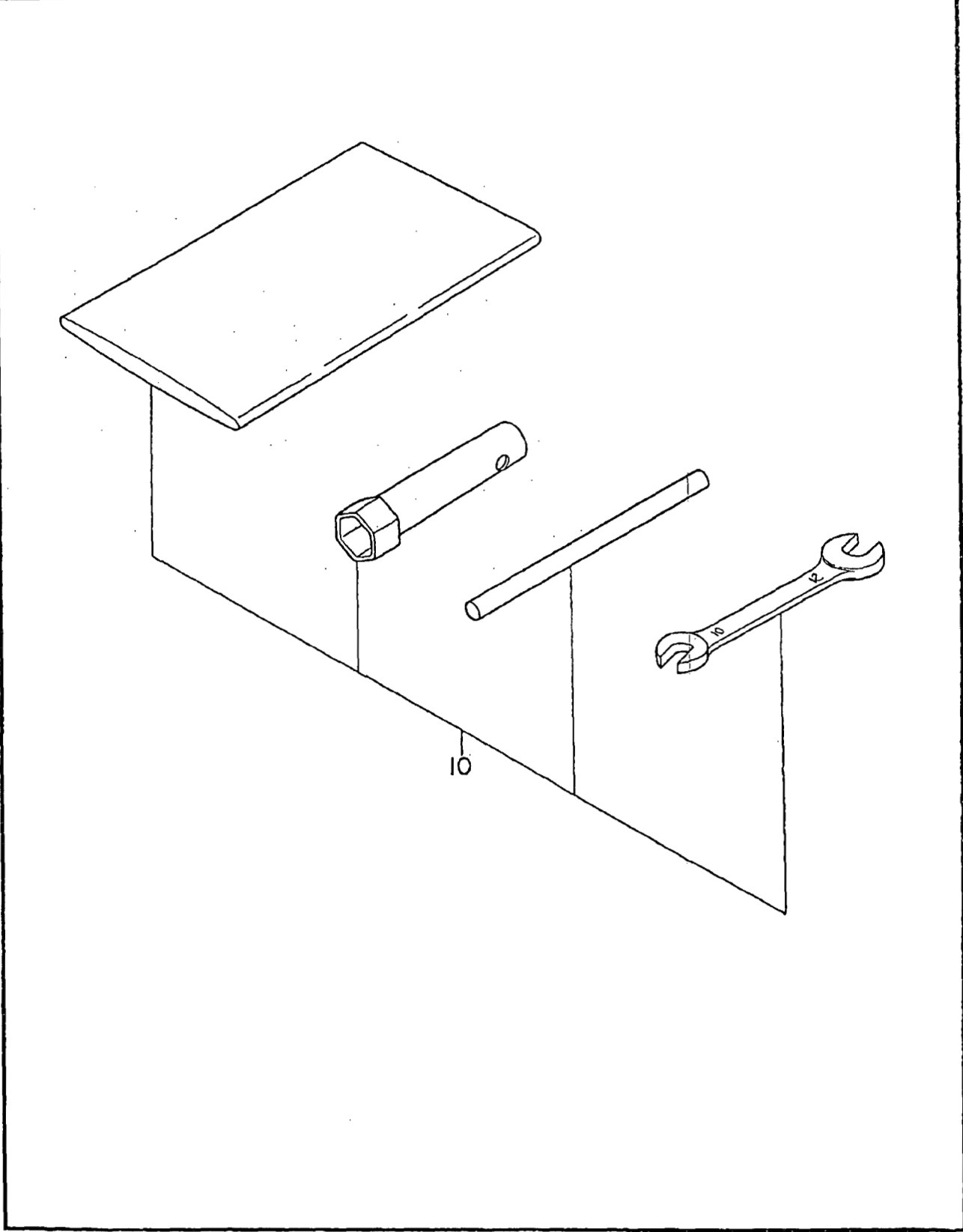


FIG. 5100

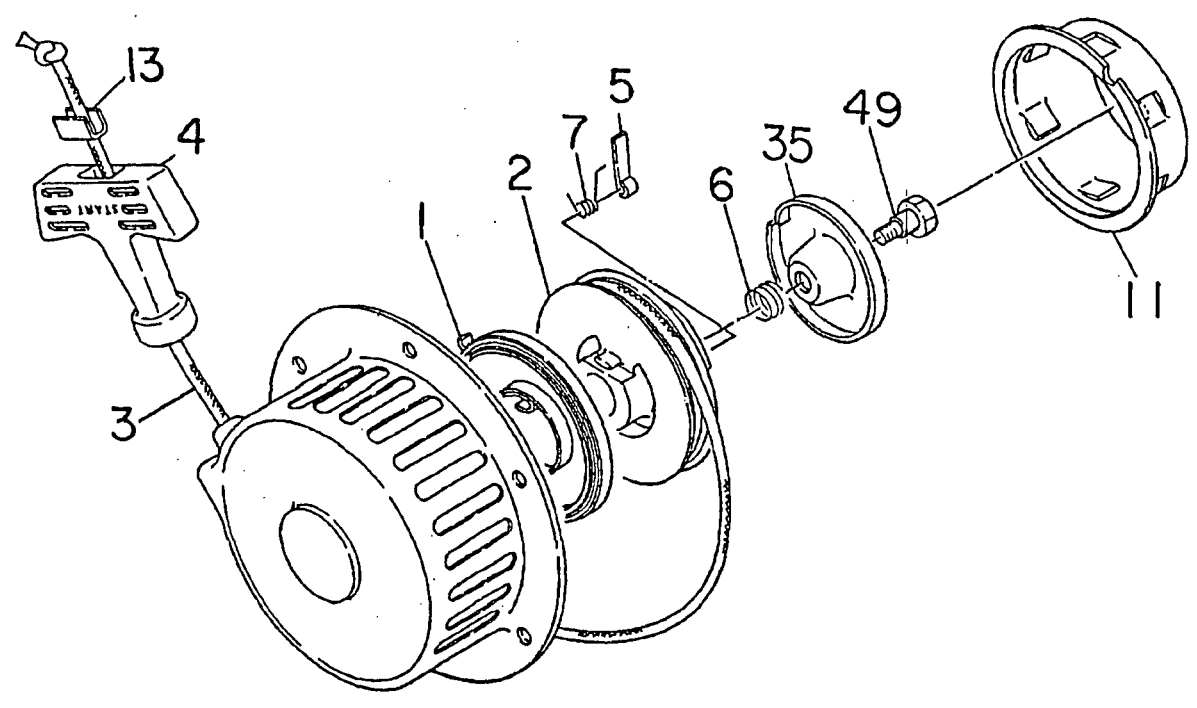
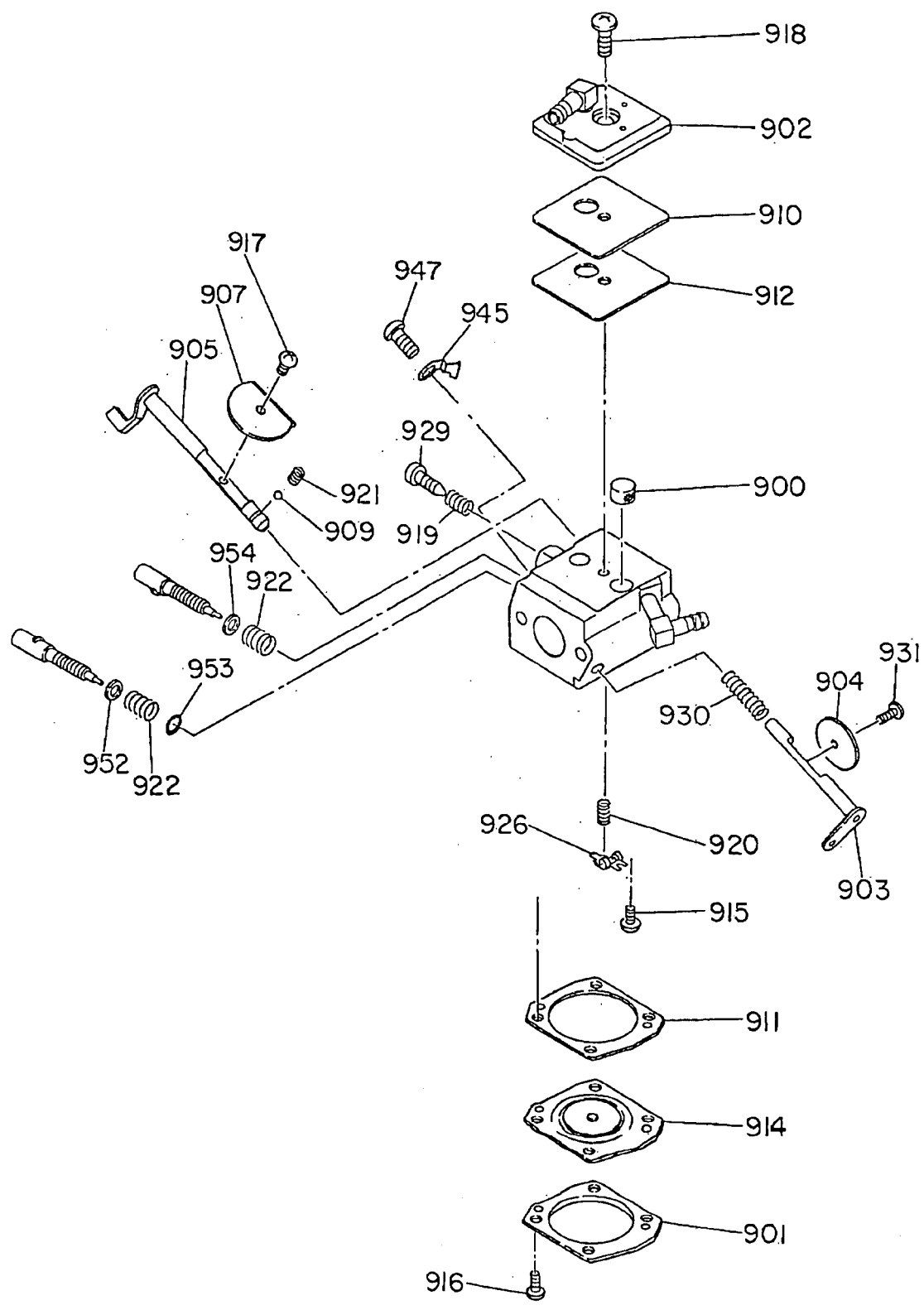


FIG. 6100



20/20

6 1 CARBURETOR AY

REF.	PART NUMBER	PART NAME	QTY	REMARKS	CODE NO. FROM-TO	INTERCHANGEABLE PART NUMBER	UNIT PRICE	FIG.
900	501-60040-10	SCREEN	1		-			6100
901	580-61220-60	COVER-METERING DIAPH	1		-			6100
902	580-61220-10	COVER AY-PUMP	1		-			6100
903	580-61221-50	SHAFT AY-THROTTLE	1		-			6100
904	580-61222-60	VALVE-THROTTLE	1		-			6100
905	580-61222-30	SHAFT AY-CHOKE	1		-			6100
907	580-61222-40	VALVE-CHOKE	1		-			6100
909	580-61222-20	BALL	1		-			6100
910	580-61220-30	GASKET-PUMP	1		-			6100
911	580-61221-20	GASKET-METERING DIA.	1		-			6100
912	580-61220-40	DIAPHRAGM-PUMP	1		-			6100
914	580-61221-10	DIAPHRAGM AY-METERIN	1		-			6100
915	501-60041-10	SCREW	1		-			6100
916	501-60041-60	SCREW AY	4		-			6100
917	580-61222-50	SCREW-VALVE	1		-			6100
918	580-61220-20	SCREW-PUMP COVER	1		-			6100
919	541-60361-20	SPRING-IDLE ADJ.	1		-			6100
920	580-61220-50	SPRING-METERING LEVE	1		-			6100
921	580-61222-10	SPRING-CHOKE FRICTIO	1		-			6100
922	580-60801-10	SPRING	2		-			6100
926	580-61221-30	LEVER-METERING	1		-			6100
929	541-60361-30	SCREW-IDLE ADJ.	1		-			6100
930	580-61221-60	SPRING-THROTTLE RET.	1		-			6100
931	580-60842-40	SCREW-VALVE	1		-			6100
945	580-61221-40	STOP-THROTTLE	1		-			6100
947	510-60451-40	SCREW-SHUTTER	1		-			6100
952	521-60060-40	WASHER	1		-			6100
953	521-60060-50	O RING	1		-			6100
954	510-60381-20	WASHER	1		-			6100