

Robin Industrial Engines®

OEM PARTS MANUAL

Model

EC08D DYNAPAC

1193M307



ROBIN AMERICA, INC.
ROBIN TO WISCONSIN ROBIN
ENGINE MODEL CROSS REFERENCE LIST

ROBIN

WISCONSIN ROBIN

SIDE VALVE

EY08	W1-080
EY15	W1-145
EY15V	W1-145V
EY20	W1-185
EY20V	W1-185V
EY23	W1-230
EY28	W1-280
EY35	W1-340
EY40	W1-390
EY45V	W1-450V
EY21	EY21W
EY44	EY44W
EY18-3	EY18-3W
EY25	EY25W
EY27	EY27W

OVERHEAD VALVE

EH11	W01-115
EH12	W01-120
EH15	W01-150
EH17	W01-170
EH21	W01-210
EH25	W01-250
EH30	W01-300
EH30V	W01-300V
EH34	W01-340
EH34V	W01-340V
EH43V	W01-430V

TWO CYCLE

EC13V	WT1-125V
-------	----------

DIESEL

DY23	WRD1-230
DY27	WRD1-270
DY30	WRD1-300
DY35	WRD1-350
DY41	WRD1-410

Introduction

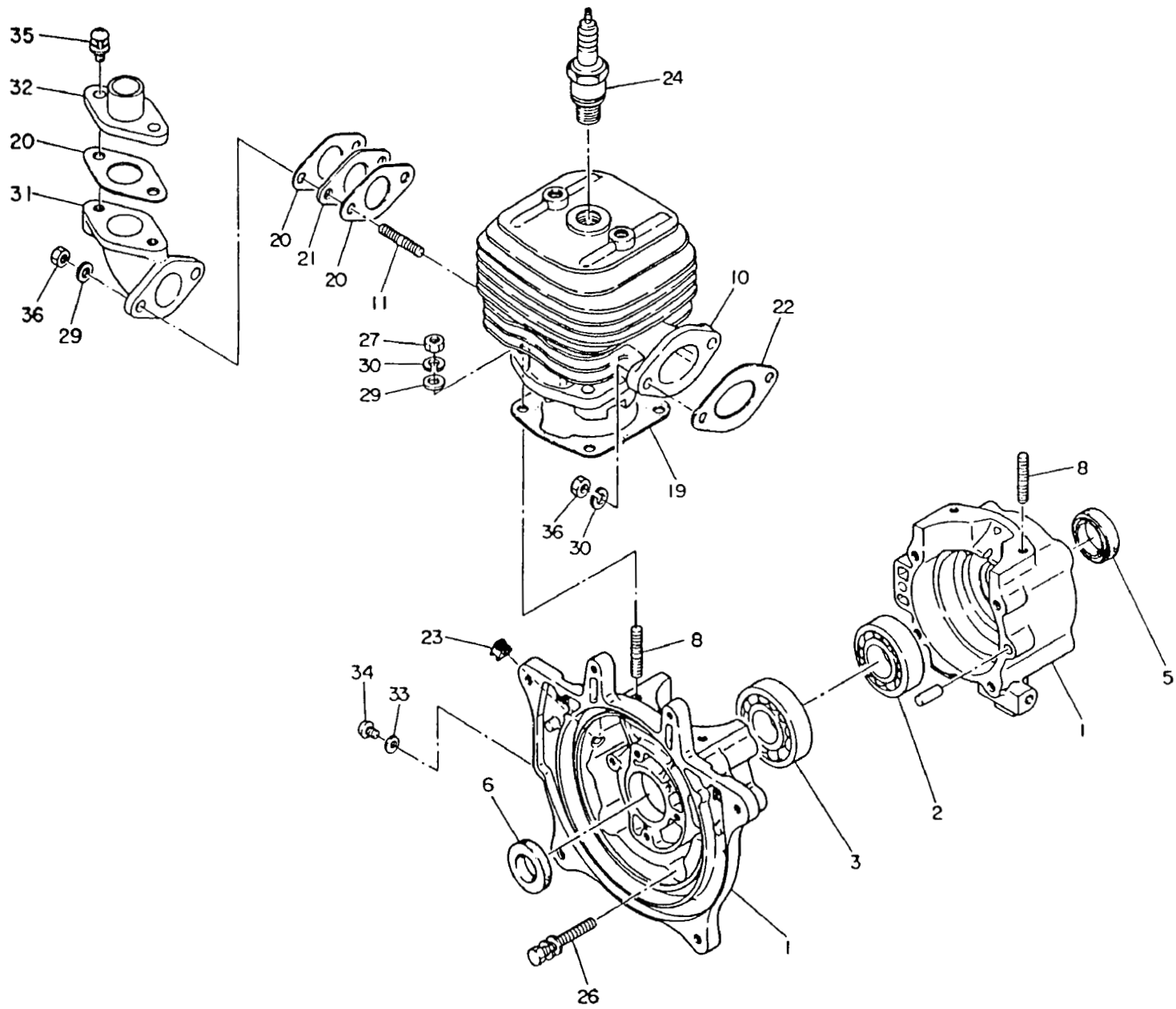
This catalog is designed to identify **Robin Engine** parts.

When ordering parts, it is always advisable to list the engine model, specification number and serial number. With this information, we can check your order for any incorrect part numbers. Use your Service Parts List to ensure proper part number and nomenclature identification.

ROBIN AMERICA INC. reserves the right to modify, alter and improve engines and parts. Part numbers and the structure of parts may change from those shown in this catalog.

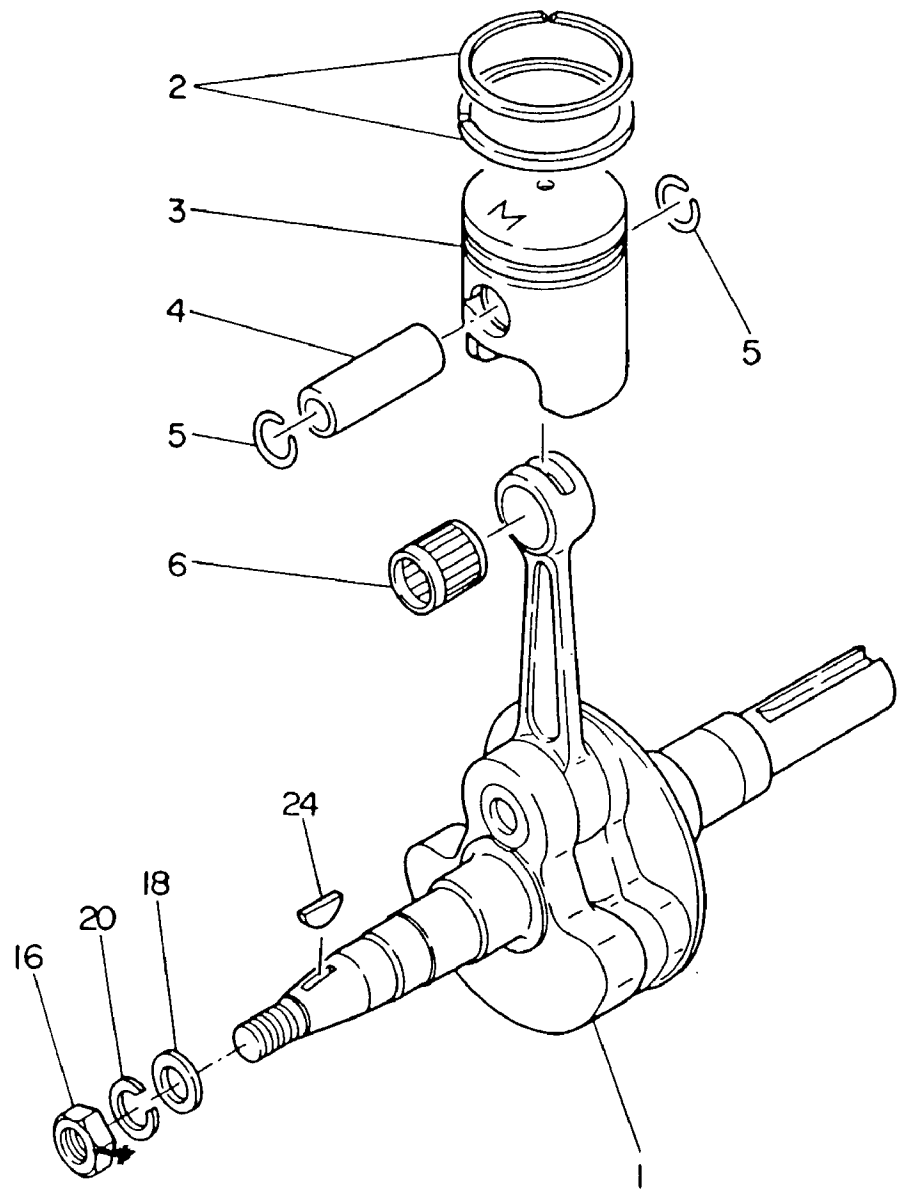
Table of Contents

Crankcase and Cylinder	1
Crankshaft and Piston	2
Blower Housing and Muffler	3
Carburetor and Silencer	4
Magneto	5
Recoil Starter	6
Accessories	7



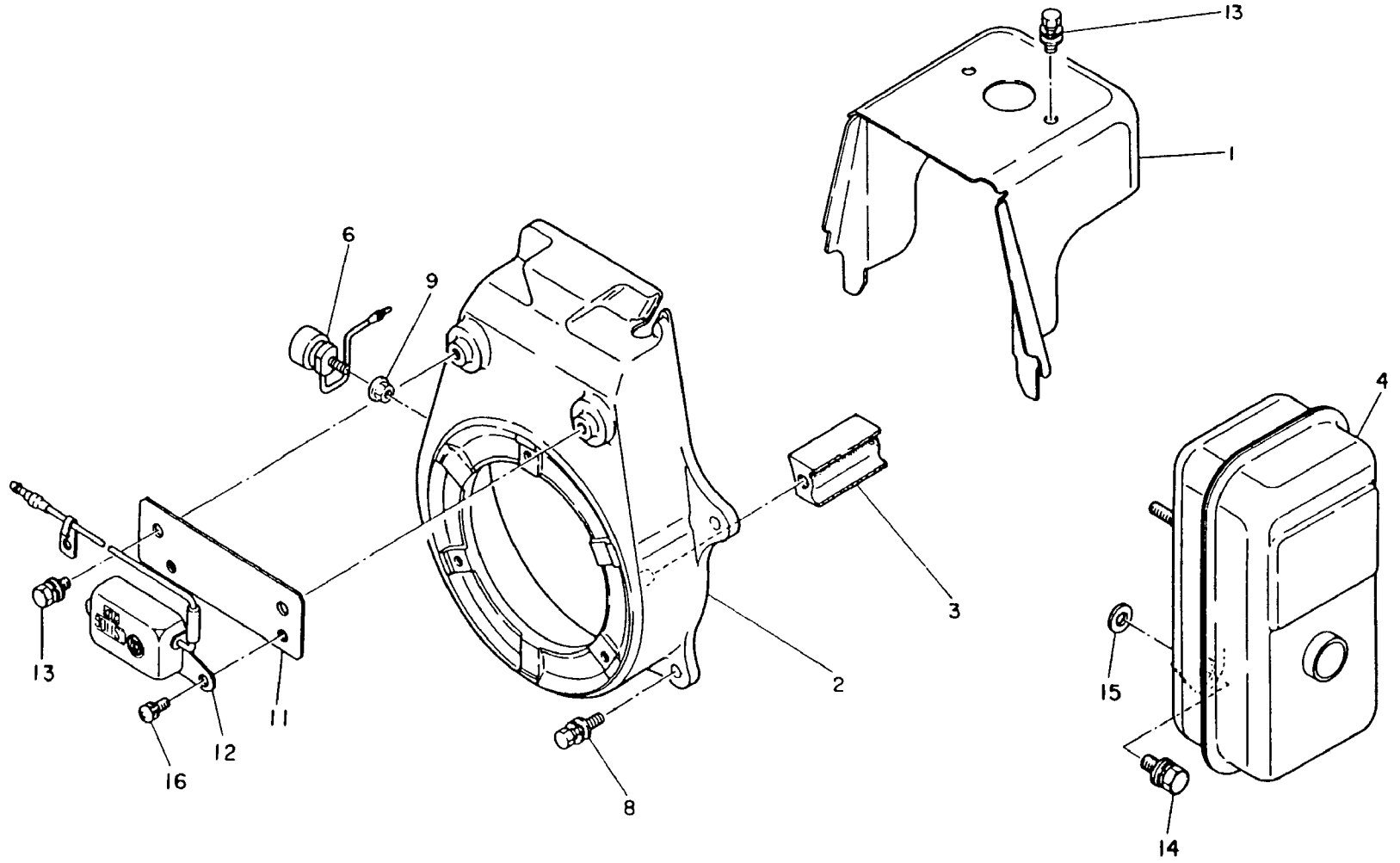
1. CRANKCASE and CYLINDER

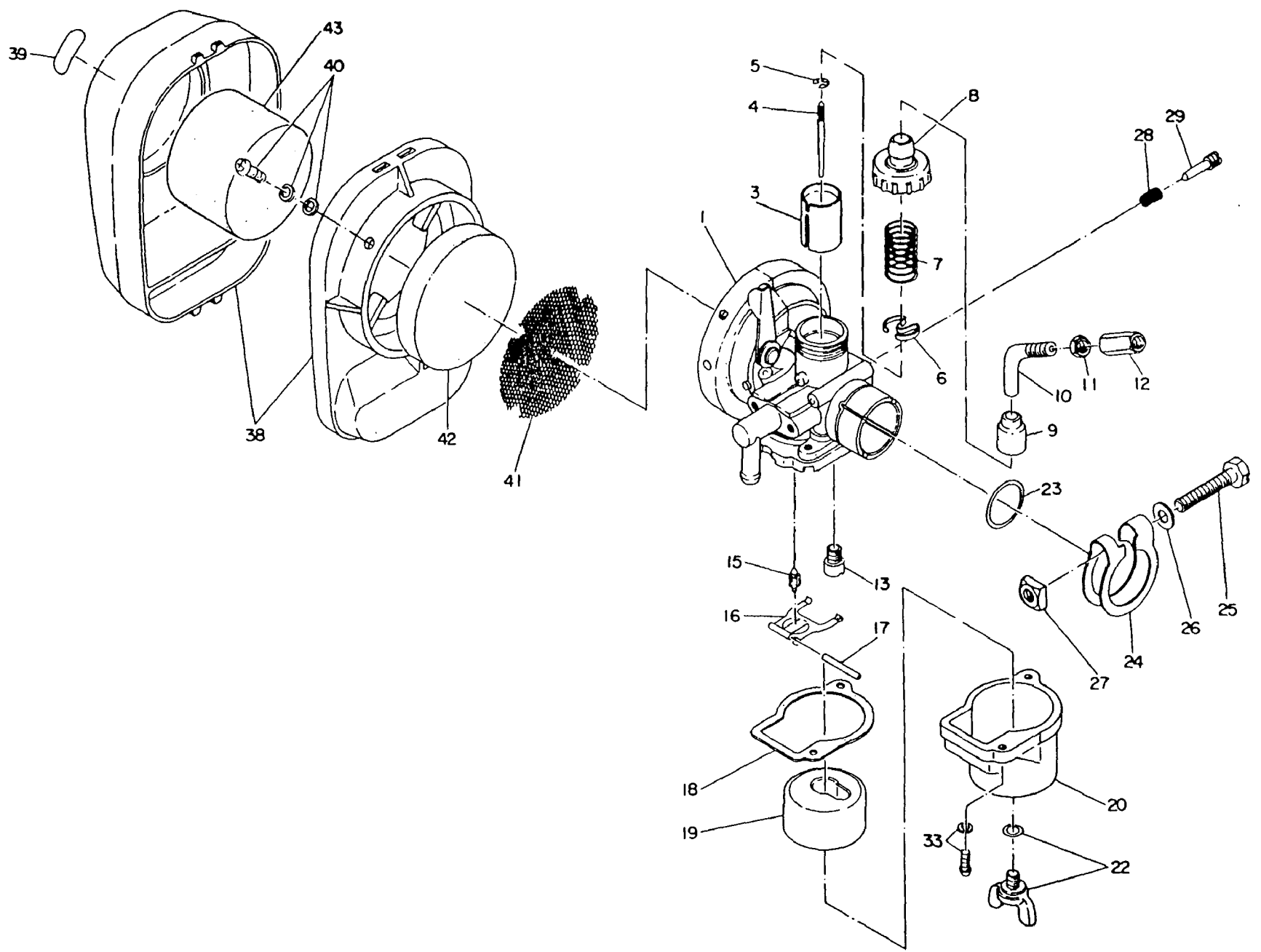
Ref. No.	Part Name	Part Number	EC08A			Remarks	Price
			Q'ty	Q'ty	Q'ty		
* 1	CRANKCASE COMPL.	EC08A-S0190	1			Incl. 2,3,5,6,8	
2	BALL BEARING	060 02000 10	1			S-BB-6004C3	
3	BALL BEARING	060 02000 20	1			S-BB-6204C3	
5	OIL SEAL	044 02000 20	1			TC20307	
6	OIL SEAL	044 01799 30	1			EC05X-110 TC17286	
8	STUD	010 50650 00	4			K17-06160	
* 10	CYLINDER COMPL.	EC08A-0110	1			Incl. 11	
11	STUD	010 50649 70	2			K17-06180	
19	PACKING (cylinder)	EC05A-1111	1				
20	GASKET (insulator)	106 35001 03	3				
21	INSULATOR	129 32901 03	1				
22	GASKET (muffler)	EC05A-3110	1				
23	GROMMET	EC05A-7102	1				
24	SPARK PLUG	065 01499 50	1			B7HS	
26	BOLT ASSY.	001 14064 50	4				
27	NUT	002 18060 00	4				
29	WASHER	003 10060 00	6				
30	SPRING WASHER	003 20060 00	6				
31	INTAKE MANIFOLD	EC08A-4103	1				
32	INTAKE PIPE COMPL.	128 33001 01	1				
33	GASKET	021 10600 10	1				
34	SCREW	004 31060 80	1				
35	SCREW ASSY.	004 35061 40	2				
36	NUT	EC08A-3104	4				



'82-7

EC08ADV

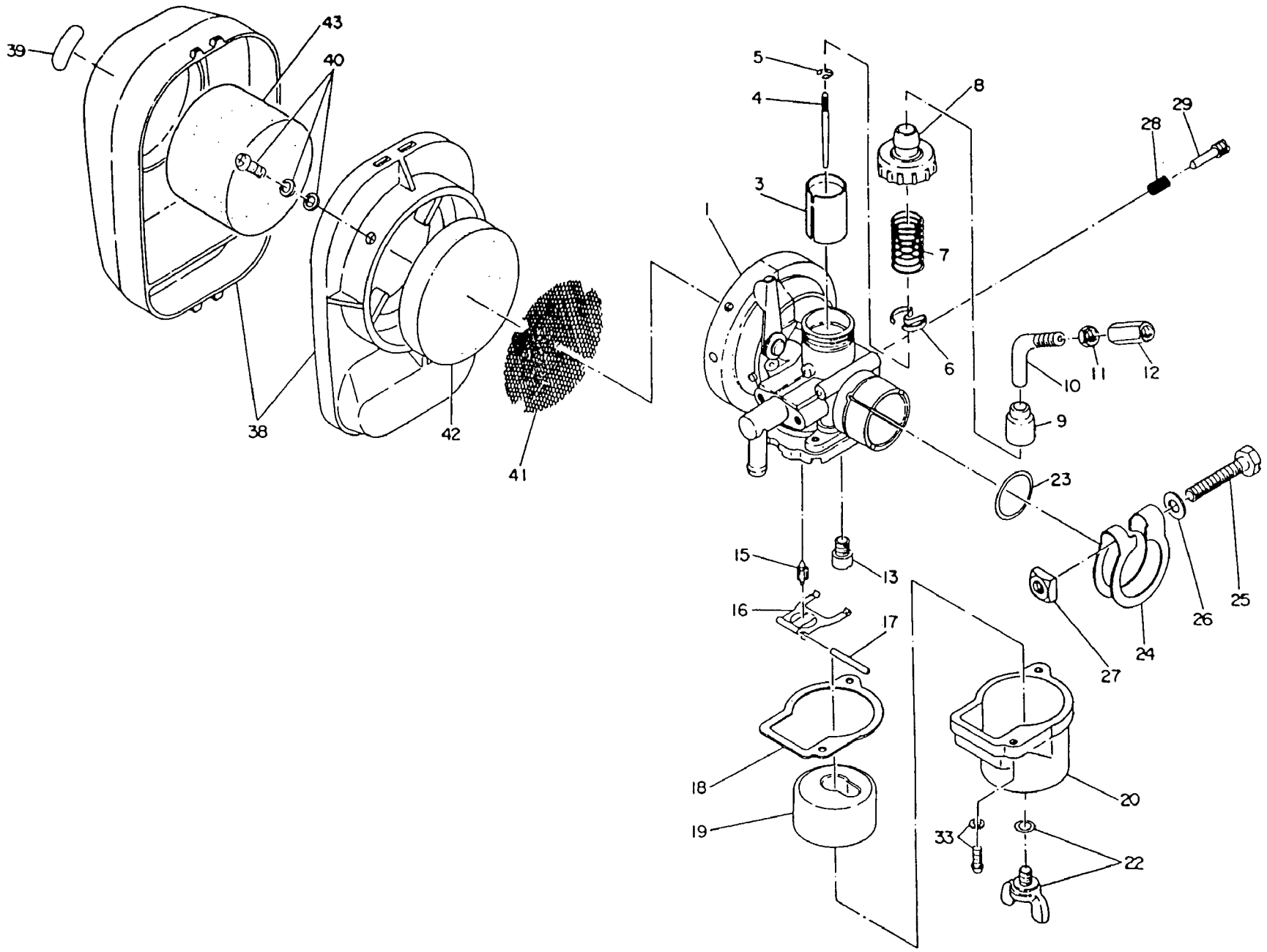


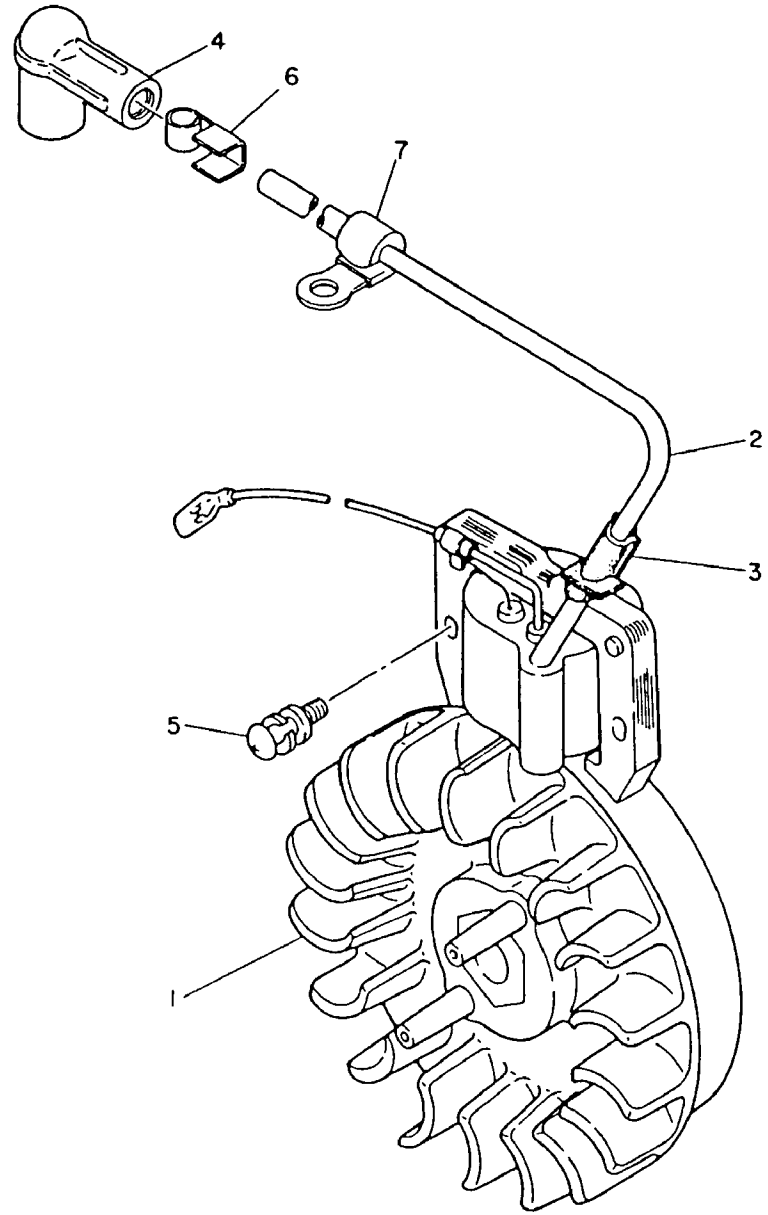


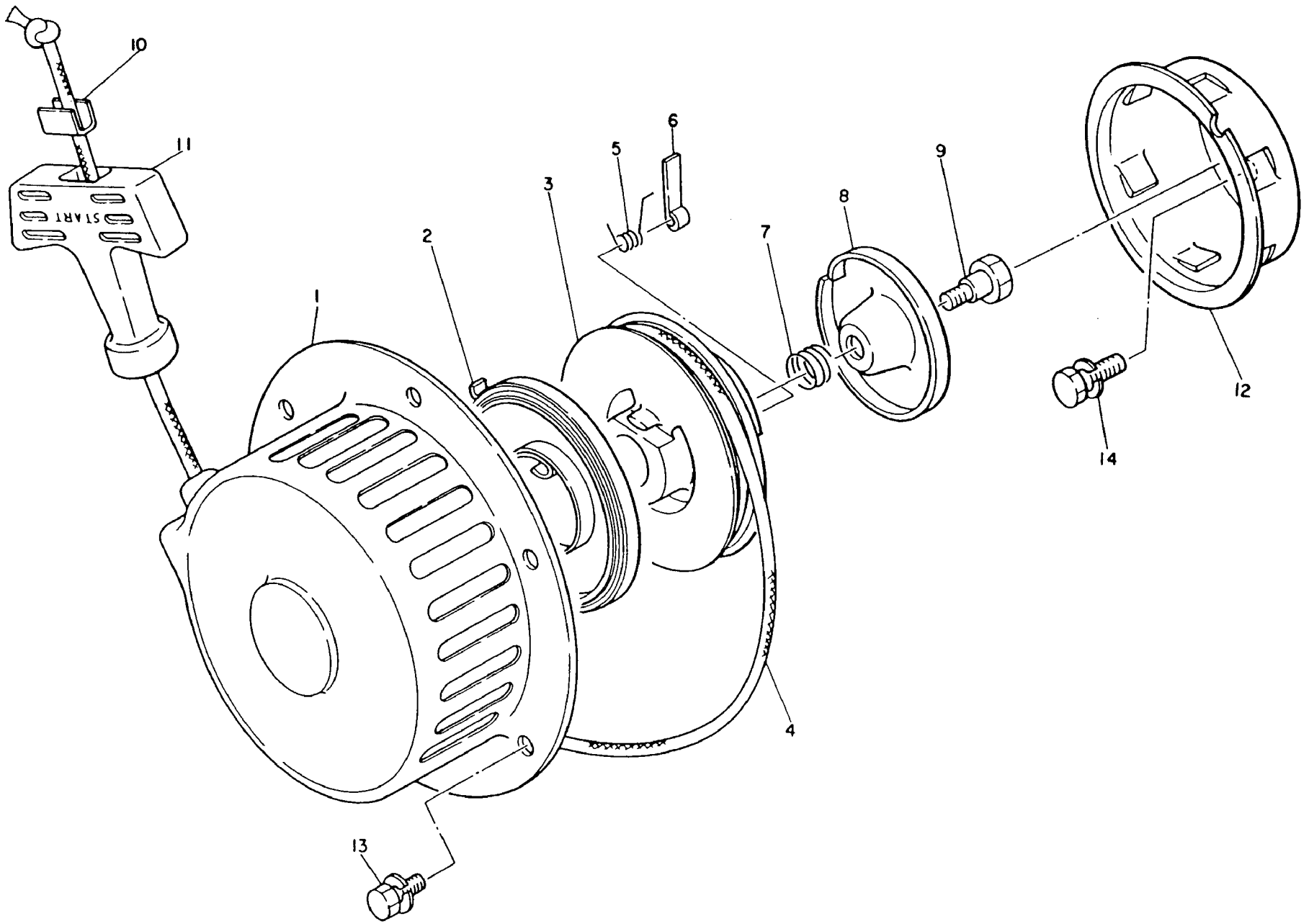
EC08ADV

4. CARBURETOR and SILENCER

Ref. No.	Part Name	Part Number	EC08A		Q'ty	Q'ty	Q'ty	Remarks	Price
			Q'ty						
* 1	CARBURETOR ASSY.	EC08A-0305	1					Incl. 3 ~33	
3	PISTON VALVE	832-16005	1					(#1.0)	
4	JET NEEDLE	J8-3DH17	1					3DH17 2 STEP	
5	E RING	MD14/40	1						
6	SPRING SEAT	VM14C1/38B	1						
7	SPRING	VM15/24A	1						
8	TOP	VM16/200	1						
9	CAP	VM12/43	1						
10	CABLE GUIDE	MD13/44	1						
11	CABLE ADJUSTER LOCK NUT	M21/15	1						
12	CABLE ADJUSTER	VM24/148	1						
13	MAIN JET	N102-221	1					(#65)	
15	NEEDLE ASSY.	VM15/173	1						
16	FLOAT ARM	VM15/353	1						
17	FLOAT PIN	VM15/264	1						
18	GASKET	VM15/351	1						
19	FLOAT	VM13/139	1						
20	FLOAT CHAMBER BODY	VM13/188	1						
22	GUIDE SCREW ASSY.	EC03-S0010	1						
23	O RING	VM13/68A	1						
24	CLIP	VM13/211	1						
25	BOLT	B2=0630	1						
26	WASHER	B34/83	1						
27	NUT	VM13/215	1						
28	SPRING	M12F/46A	1						

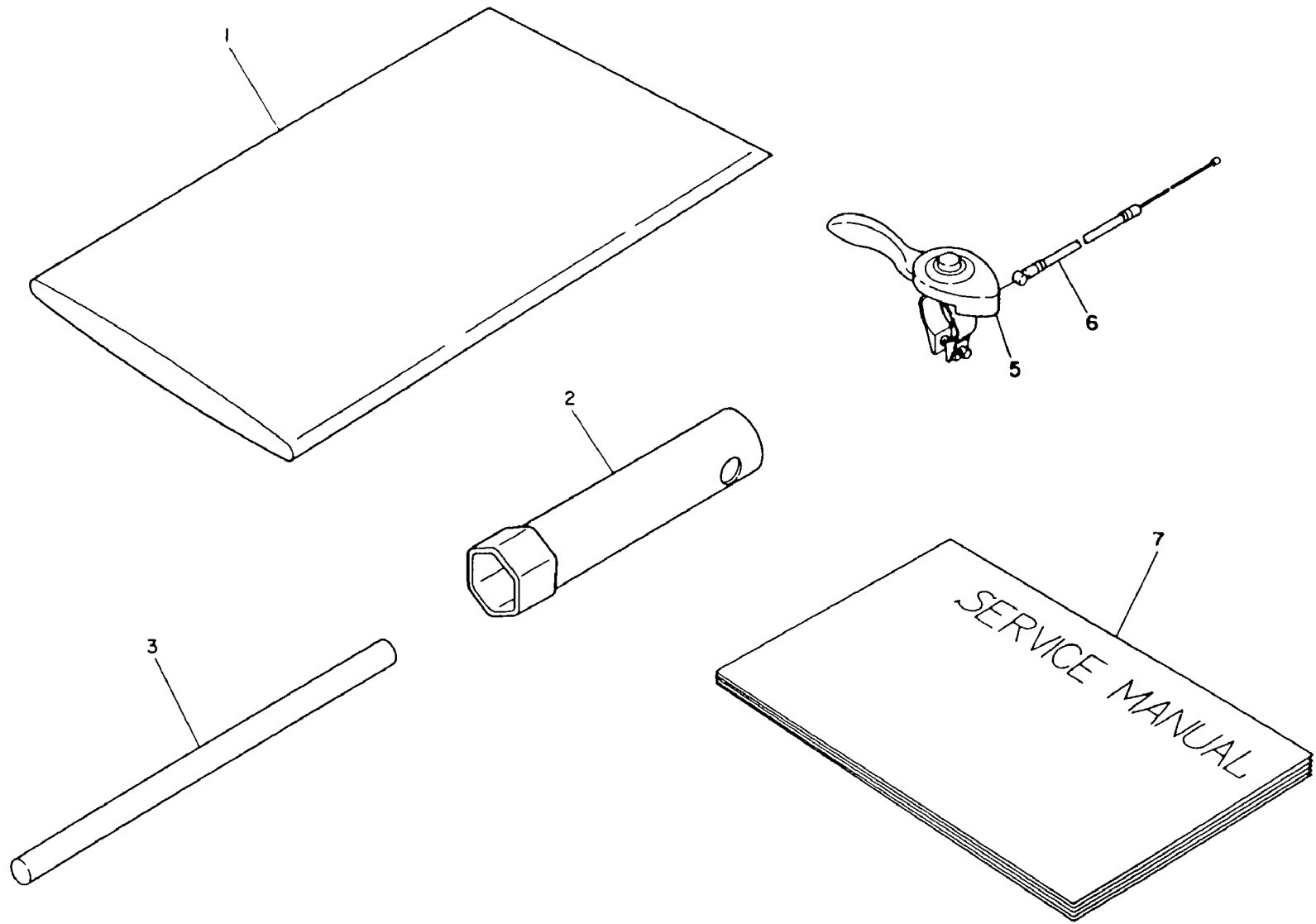






'82-7

EC08ADV



NOTES

NOTES

NOTES

NOTES

NOTES

NOTES

NOTES



Robin America, Inc.

940 Lively Blvd., Wood Dale, IL 60191 • Tel: (708) 350-8200 • Fax: (708) 350-8212