

**Robin Industrial Engines®**

# **OEM PARTS MANUAL**

**Models**

**EC10D STONE**

1193M315



**ROBIN AMERICA, INC.**  
**ROBIN TO WISCONSIN ROBIN**  
**ENGINE MODEL CROSS REFERENCE LIST**

ROBIN

WISCONSIN ROBIN

SIDE VALVE

EY08	W1-080
EY15	W1-145
EY15V	W1-145V
EY20	W1-185
EY20V	W1-185V
EY23	W1-230
EY28	W1-280
EY35	W1-340
EY40	W1-390
EY45V	W1-450V
EY21	EY21W
EY44	EY44W
EY18-3	EY18-3W
EY25	EY25W
EY27	EY27W

OVERHEAD VALVE

EH11	W01-115
EH12	W01-120
EH15	W01-150
EH17	W01-170
EH21	W01-210
EH25	W01-250
EH30	W01-300
EH30V	W01-300V
EH34	W01-340
EH34V	W01-340V
EH43V	W01-430V

TWO CYCLE

EC13V	WT1-125V
-------	----------

DIESEL

DY23	WRD1-230
DY27	WRD1-270
DY30	WRD1-300
DY35	WRD1-350
DY41	WRD1-410

# Engine Model EC10D for STONE

Specification EC100DD2290

## Introduction

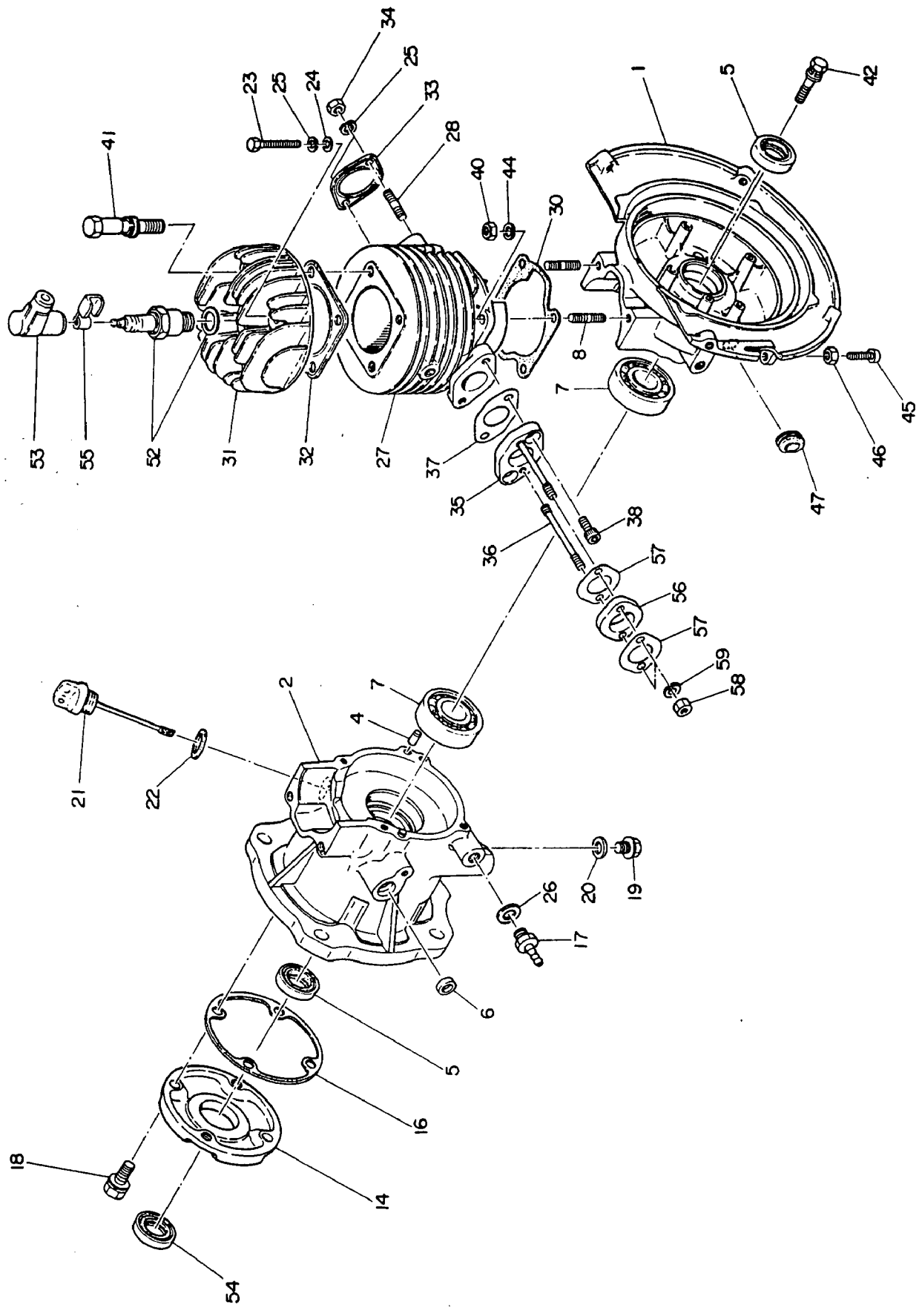
This catalog is designed to identify **Robin Engine** parts.

When ordering parts, it is always advisable to list the engine model, specification number and serial number. With this information, we can check your order for any incorrect part numbers. Use your Service Parts List to ensure proper part number and nomenclature identification.

**ROBIN AMERICA INC.** reserves the right to modify, alter and improve engines and parts. Part numbers and the structure of parts may change from those shown in this catalog.

## Table of Contents

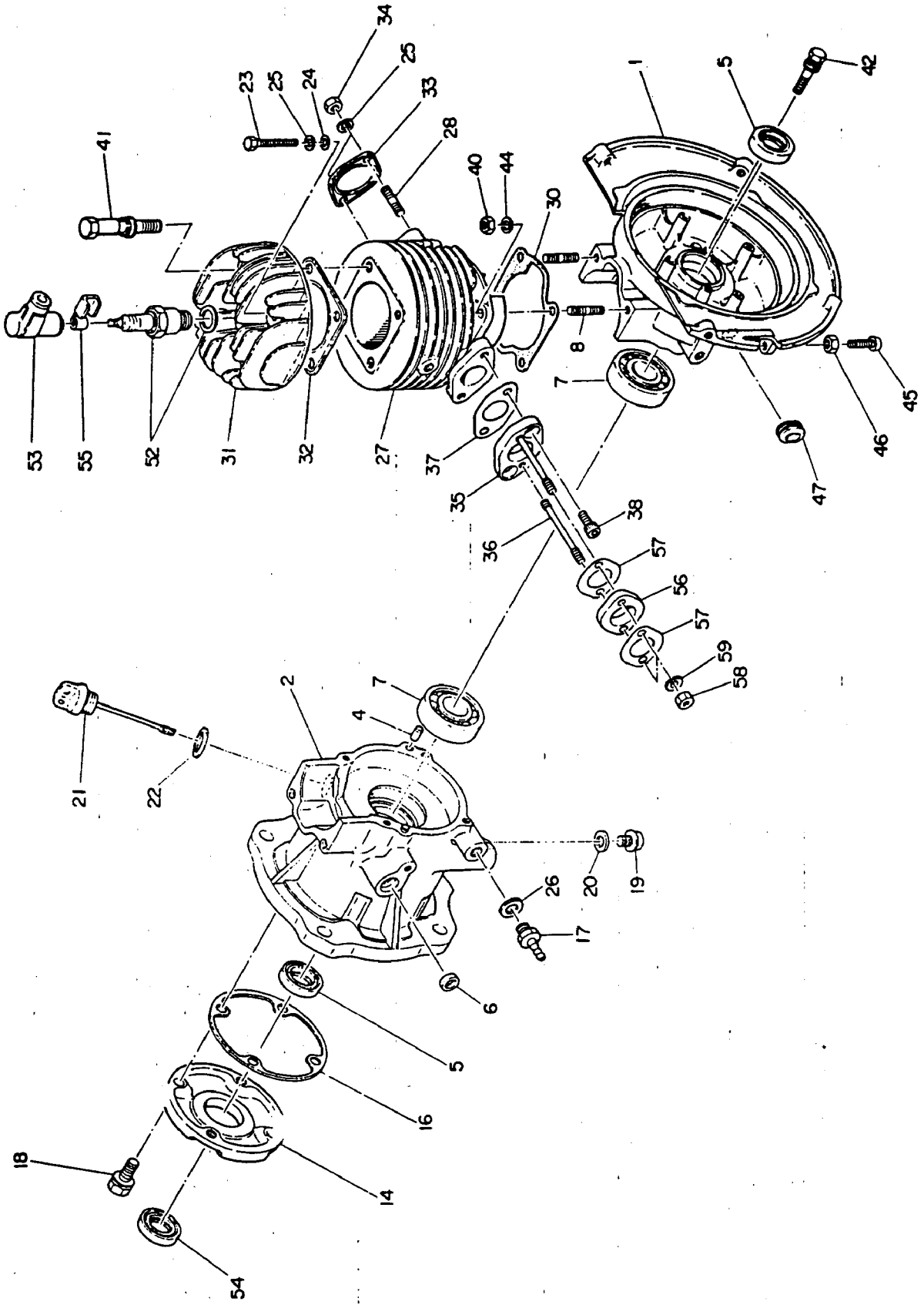
Crankcase and Cylinder .....	1
Crankshaft and Piston .....	2
Governor .....	3
Blower Housing and Muffler .....	4
Carburetor .....	5
Magneto (T.C.I.) .....	6
Recoil Starter .....	7
Accessories .....	8



1. CRANKCASE & CYLINDER

↔ Interchangeability

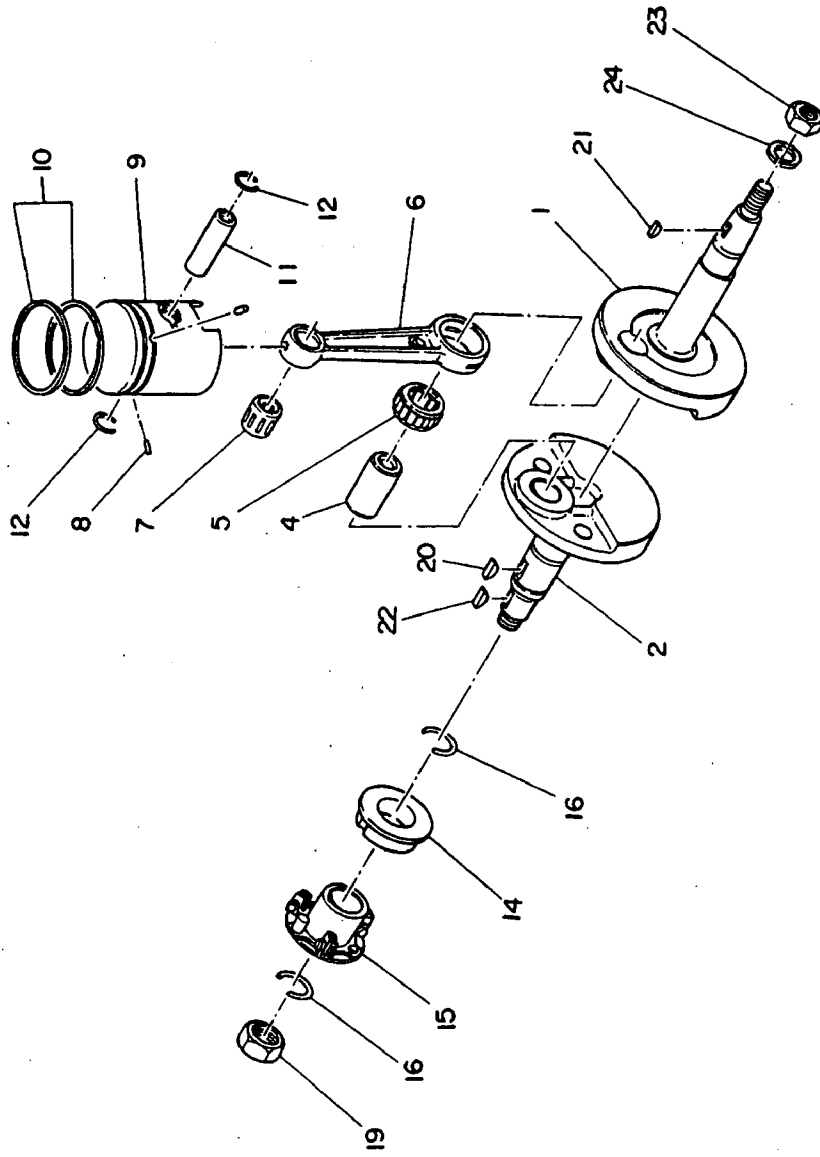
Ref. No.	Part Number	Part Name	Qty	Description	FOB JAPAN IN U.S.\$
*1	106 10712 01	Crankcase complete	1	Incl. 2,4~8,42 T.C.I.	
4	031 00600 10	Dowel pin	2		
5	044 02000 10	Oil seal	2		
6	044 00800 10	Oil seal	1		
7	060 02000 20	Ball bearing	2		
8	010 50700 10	Stud	4		
8	010 50600 90	Stud	4		
*14	106 11601 11	Crankcase cover complete	1	Incl. 54	
16	106 15002 03	Gasket (case cover)	1		
17	050 51000 70	Union	1		
18	001 14061 60	Bolt & washer ass'y	4		
19	040 10800 10	Plug	1		
20	021 00800 10	Gasket	1		
21	106 63606 01	Oil gauge complete	1		
22	021 01600 10	Gasket	1		
23	010 30800 10	Bolt	2		
24	003 10080 00	Washer	2		
25	003 20080 00	Spring washer	4		
26	003 71100 00	Gasket (fiber)	1		
*27	106 12407 01	Cylinder complete	1	Incl. 28,29	
*27	106 12405 01	Cylinder complete	1	Incl. 28,29	
28	001 31083 01	Stud	2		
30	106 15001 23	Gasket (cylinder)	1		
32	106 15101 11	Gasket complete (head)	1		
33	106 35102 01	Gasket complete (exhaust)	1		



1. CRANKCASE & CYLINDER

↔ Interchangeability

Ref. No.	Part Number	Part Name	Q'ty	Description	FOB JAPAN IN U.S. \$
34	002 19080 00	Nut	2		
※35	106 33101 01	Intake flange complete	1	Incl. 36	
36	010 50500 30	Stud	2		
37	106 35001 03	Gasket (insulator)	1		
38	011 90600 20	Bolt (socket head)	2		
40	017 00700 20	Nut	4		
40	017 00600 60	Nut	4		
41	013 00800 71	Bolt & washer ass'y	2		
41	013 00800 70	Bolt & washer ass'y	2		
42	001 14063 50	Bolt & washer ass'y	4		
44	020 30700 10	Spring washer	4		
44	003 21060 00	Spring washer	4		
45	014 90600 40	Adjusting screw	1		
46	002 27060 00	Nut	1		
47	024 10700 90	Grommet	1		
52	065 01400 10	Spark plug	1	NGK B-4	
53	065 50001 40	Spark plug cap	1		
54	044 02000 30	Oil seal	1		
55	065 90000 10	Plug terminal	1		
56	106 32911 03	Insulator	1		
57	106 65002 03	Gasket (carb)	2		
58	002 18050 00	Nut	2		
59	003 20050 00	Spring washer	2		

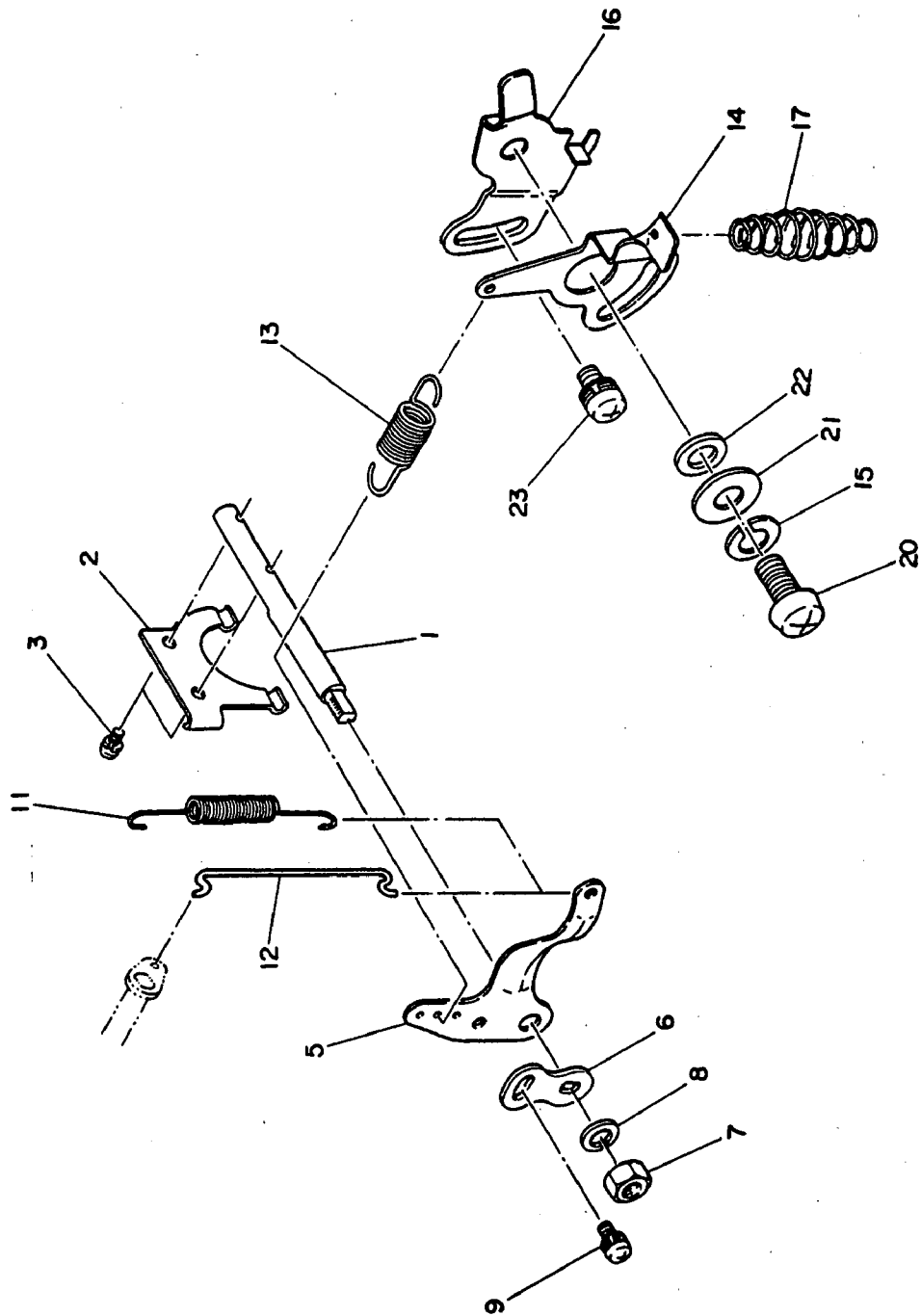




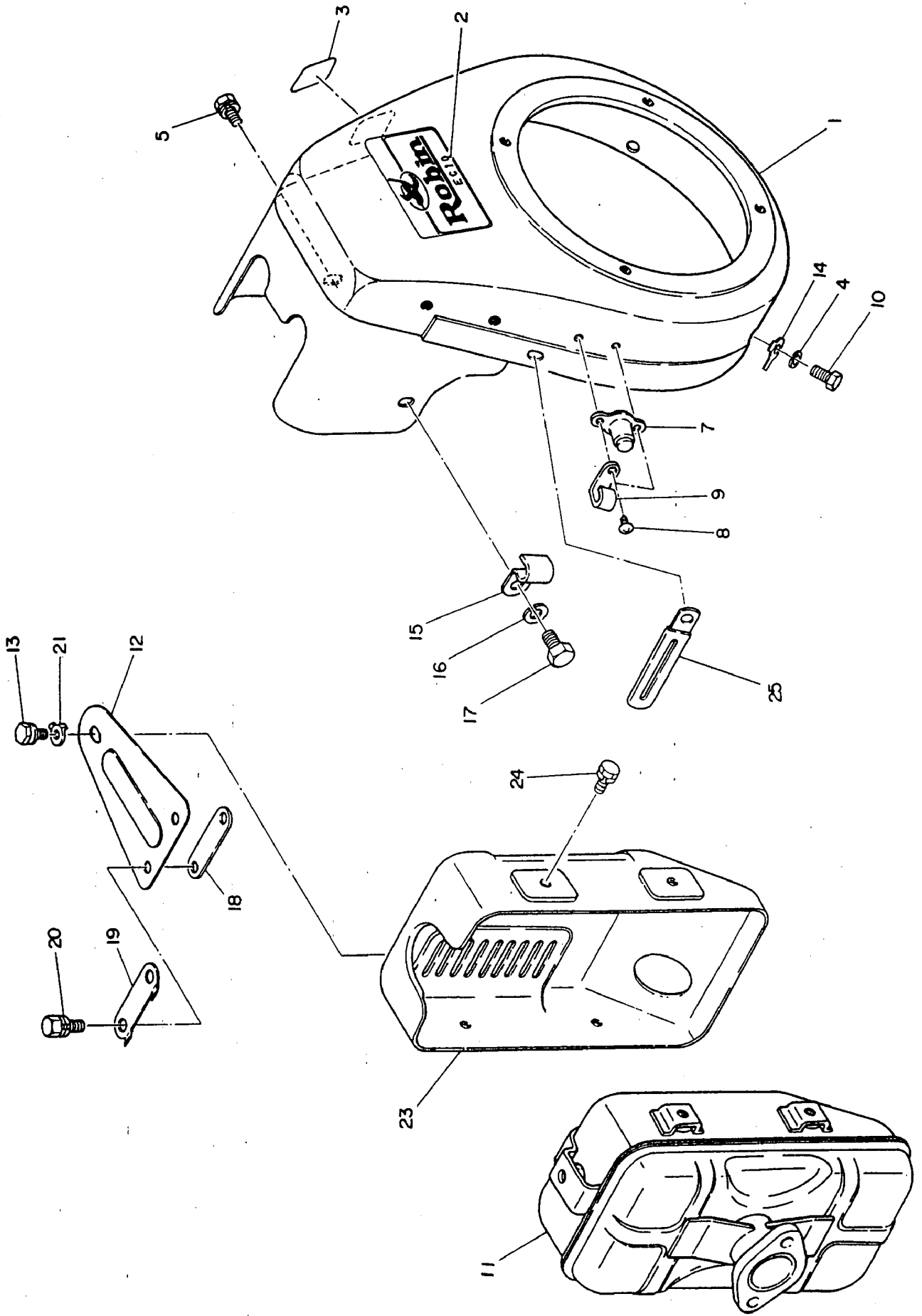
2. CRANKSHAFT & PISTON

↙Interchangeability

Ref. No.	Part Number	Part Name	Qty	Description	FOB JAPAN IN U.S. \$
*1	106 20202 10	Crankshaft ass'y	1	Incl. 2,4~6	
7	061 01200 10	Needle bearing	1		
*9	106 23401 11	Piston complete	1	Incl. 8	
9	106 23402 01	Piston complete	1	Over size 0.25mm	
9	106 23403 01	Piston complete	1	Over size 0.50mm	
10	106 23501 07	Piston ring set	1	Standard	
10	106 23502 07	Piston ring set	1	Over size 0.25mm	
10	106 23503 07	Piston ring set	1	Over size 0.50mm	
11	106 23301 13	Piston pin	1		
12	056 51200 10	Clip	2		
14	106 41903 03	Governor sleeve	1		
15	106 41702 01	Governor plate complete	1		
16	056 52000 20	Clip	2		
19	017 31200 10	Lock nut	1		
20	032 30400 10	Woodruff key	1		
21	005 32042 01	Woodruff key	1		
22	005 32042 01	Woodruff key	1	Parts to be shipped independently	
23	017 01000 10	Nut	1		
24	003 20100 00	Spring washer	1		



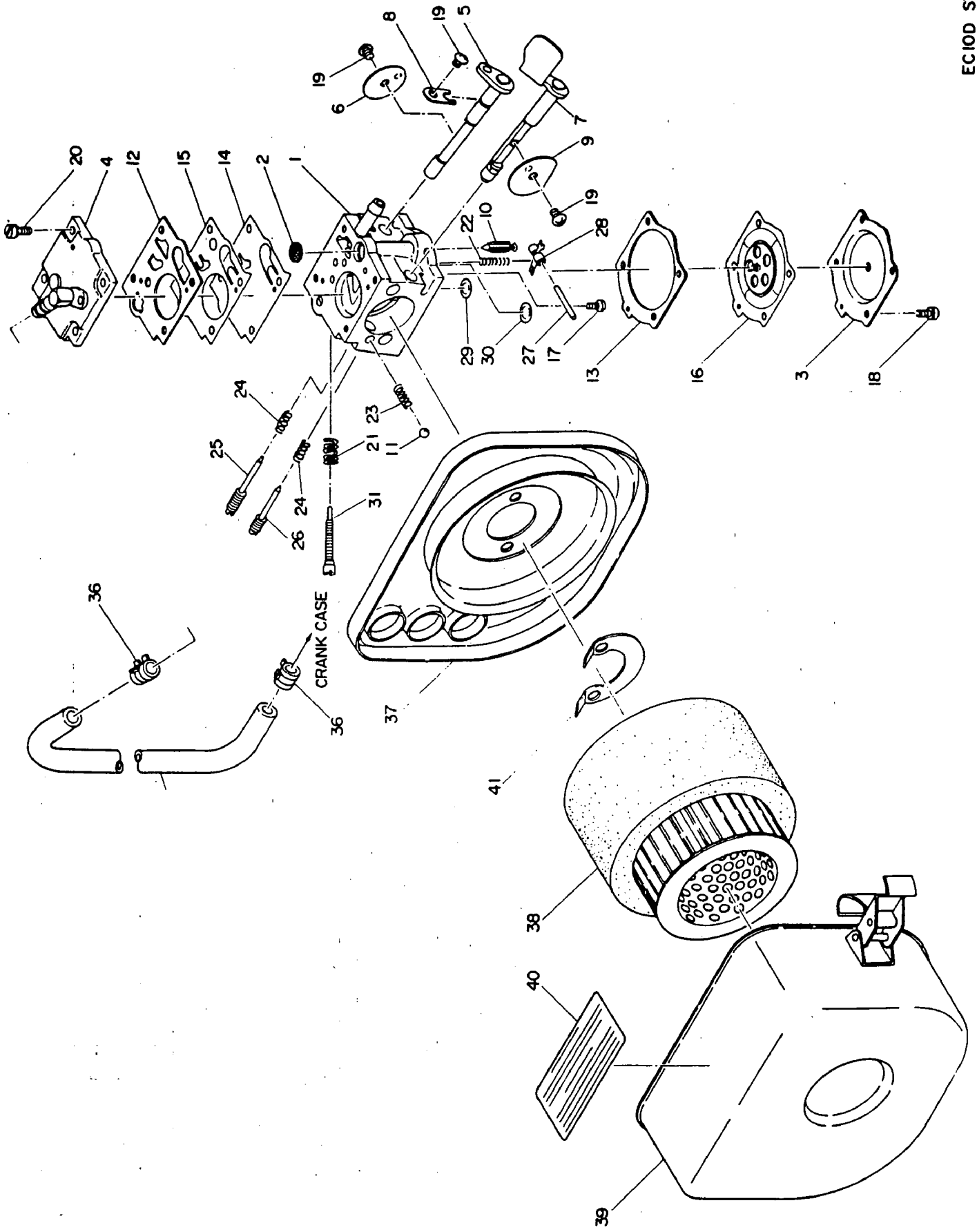




4. BLOWER HOUSING & MUFFLER

Interchangeability

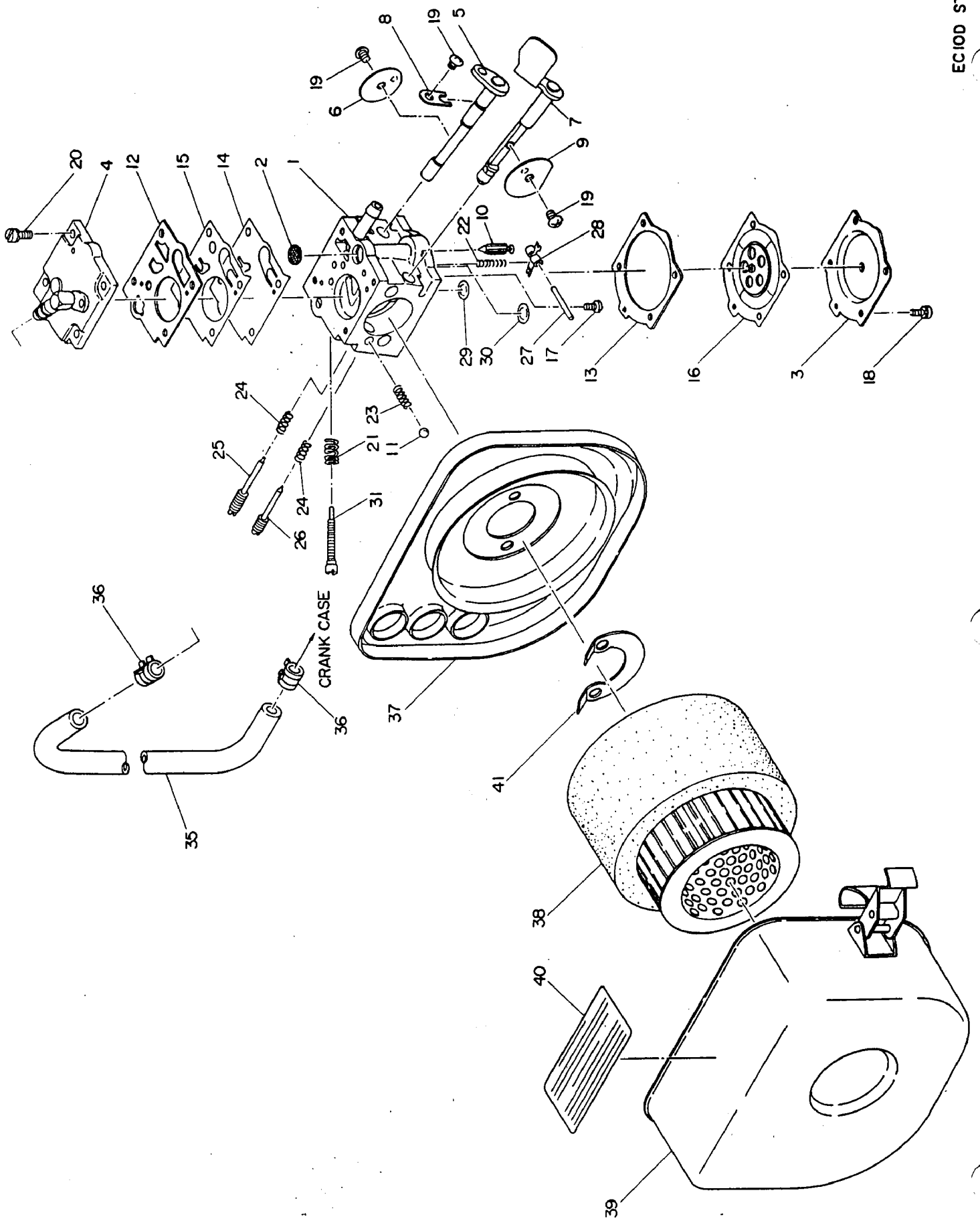
Ref. No.	Part Number	Part Name	Q'ty	Description	FOB JAPAN IN U.S.\$
*1	106 51831 01	Blower housing complete	1	Incl. 2,3 I.C.I.	
2	106 91706 03	Label (trade mark)	1		
3	106 91811 23	Label (engine name)	1		
4	003 20060 00	Spring washer	4		
5	001 10061 20	Bolt & washer ass'y	1		
7	066 20000 11	Stop button	1		
8	015 00400 10	Tapping screw	2		
9	056 60300 10	Clamp	1		
10	001 66061 20	Bolt	4		
11	106 30116 31	Muffler complete	1		
12	106 35601 31	Bracket (muffler)	1		
13	001 13081 60	Bolt & washer ass'y	1		
14	020 50600 10	Lock washer	3		
15	106 75017 01	Clamp complete	1		
16	003 20080 00	Spring washer	1		
17	001 65081 20	Bolt	1		
18	106 35302 01	Spacer	1		
19	105 65101 21	Lock washer (tank)	1		
20	001 13081 60	Bolt & washer ass'y	2		
21	020 50800 11	Lock washer	1		
23	106 34251 21	Muffler cover complete	1		
24	001 16061 00	Bolt & washer ass'y	4		
25	150 75201 03	CLAMP	1		



## 5. CARBURETOR

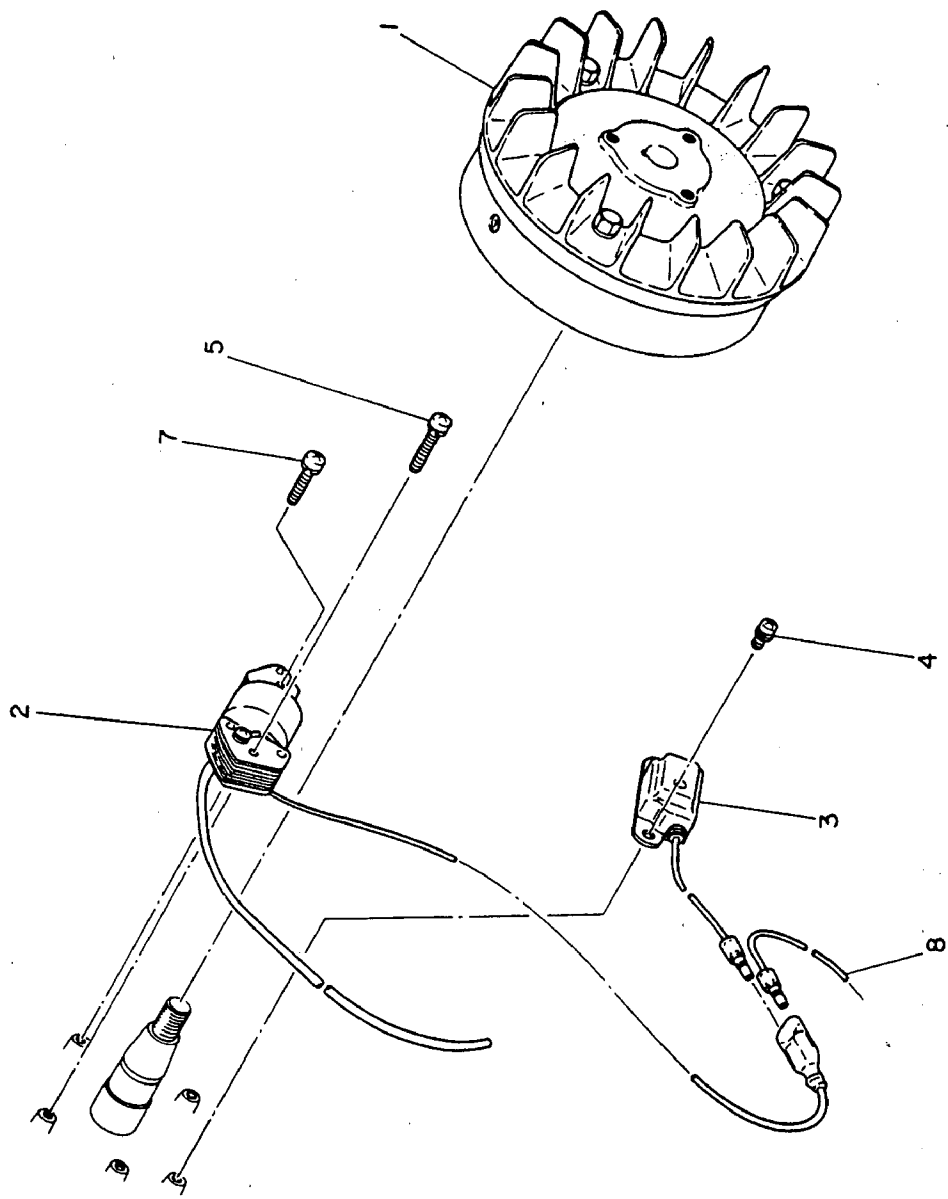
↔ Interchangeability

Ref. No.	Part Number	Part Name	Qty	Description	FOB JAPAN IN U.S.\$
*1	106 62561 00	Carburetor ass'y	1	Incl. 2~31	
2	106 62560 08	Screen	1		
3	106 62561 08	Cover	1		
4	106 62562 08	Cover ass'y	1		
5	106 62563 08	Shaft ass'y (throttle)	1		
6	106 62564 08	Valve (throttle)	1		
7	106 62565 08	Shaft ass'y (choke)	1		
8	106 62566 08	Clip	1		
9	106 62567 08	Valve (choke)	1		
10	106 62568 08	Valve (inlet needle)	1		
11	106 62569 08	Ball	1		
12	106 62570 08	Gasket (fuel pump)	1		
13	106 62571 08	Gasket	1		
14	106 62572 08	Diaphragm (fuel pump)	1		
15	106 62573 08	Diaphragm (check valve)	1		
16	106 62574 08	Diaphragm ass'y	1		
17	106 62575 08	Screw	1		
18	106 62576 08	Screw ass'y	4		
19	106 62577 08	Screw (valve)	3		
20	106 62578 08	Screw (pump cover)	4		
21	106 62579 08	Spring (idle)	1		
22	106 62580 08	Spring (metering)	1		
23	106 62581 08	Spring (choke)	1		
24	106 62582 08	Spring (needle)	2		
25	106 62583 08	Needle (idle)	1		

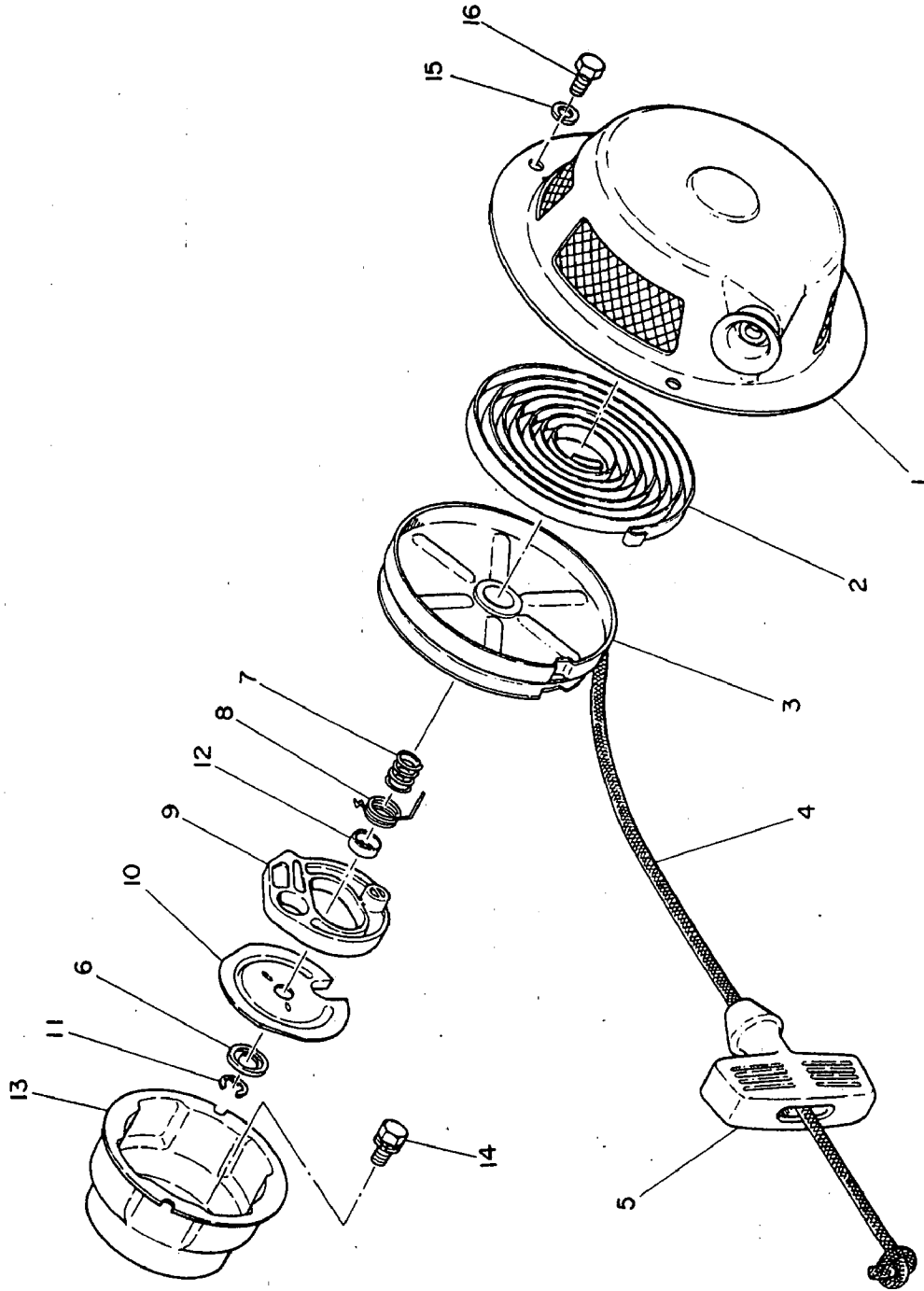








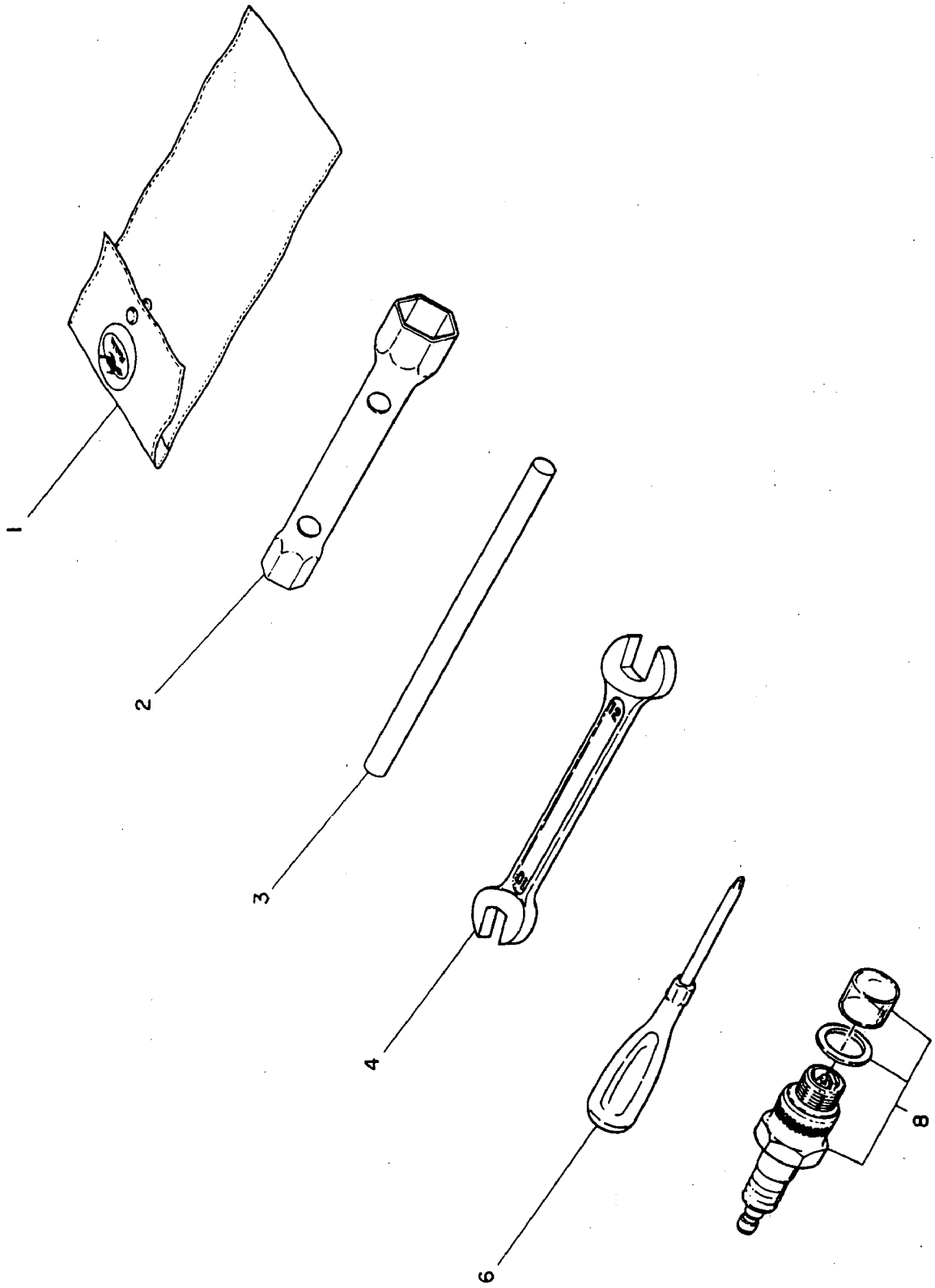




7. RECOIL STARTER

Interchangeability

Ref. No.	Part Number	Part Name	Q'ty	Description	FOB JAPAN IN U.S.↓
※1	106 50911 00	Recoil starter ass'y	1	Incl. 2 thru 12	
2	106 50116 08	Spiral spring	1		
4	106 50112 08	Starter rope	1		
5	106 50100 08	Starter nob complete	1		
6	106 50177 08	Washer	1		
7	106 50132 08	Friction spring	1		
8	106 50135 08	Return spring	1		
9	106 50177 08	Ratchet	1		
10	106 50143 08	Friction plate	1		
11	105 50155 08	Clip	1		
12	105 50154 08	Spring cover	1		
13	106 50178 08	Starting pulley	1		
14	001 10061 20	Bolt & washer ass'y	3		
15	003 20060 00	Spring washer	4		
16	001 66061 20	Bolt	4		





## NOTES



# NOTES

[Faint, illegible handwritten notes covering the majority of the page]

## NOTES



**Robin America, Inc.**

940 Lively Blvd., Wood Dale, IL 60191 • Tel: (708) 350-8200 • Fax: (708) 350-8212