



SUBARU

Industrial Power Products

PARTS MANUAL

Models

EX40

ENGINES

PUB-EP6516

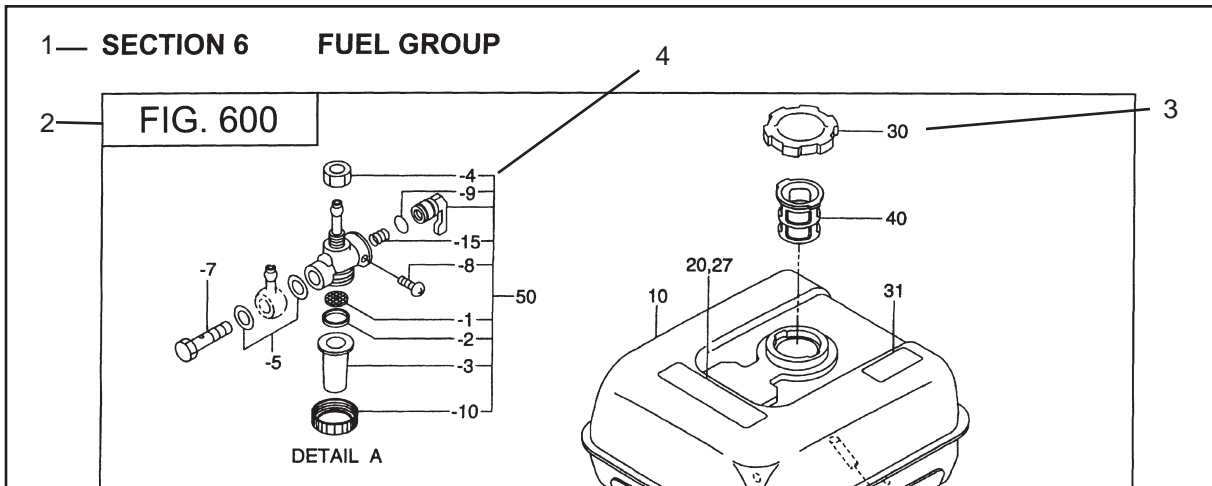
Rev. 04/14

Robin America, Inc.

905 Telser Road, Lake Zurich, IL 60047 • Phone: 847-540-7300 • Fax:847-438-5012
e-mail: sales@robinamerica.com • www.subarupower.com

© Copyright 2009 Robin America, Inc.

MANUAL LAYOUT



REF.	PART NO.	DESCRIPTION	QTY.	REMARKS	FROM-TO	FIG.
10	267-60103-01	FUEL TANK CP	1	YD, YS TYPE, BLACK		600
	267-60101-01	FUEL TANK CP	1	YELLOW		600
27	073-20039-00	LABEL, WARNING	1	YD, YS TYPE		600
30	043-04300-15	FUEL TANK CAP CP	1			600
31	267-95201-03	LABEL, EMISSION	1	YD, YS TYPE		600
40	064-13600-10	FUEL FILTER	1			600
50	064-20021-01	FUEL STRAINER AY	1			600
-1	064-20002-20	FILTER	1			600
-2	064-20002-30	GASKET	1			600
-3	064-20019-10	CUP	1			600

1. SECTION NAME Parts are broadly classified according to their functions. Refer to the Group Index (table of contents) for respective section name.
2. FIG. No. The FIG. number indexes the reference and part numbers to the illustration. Figure numbers that vary only in the tens place (i.e.: 700 and 710) are in a group of the same section (i.e.:Electrical Device Group).
3. REF. No. The Reference number identifies the part illustration with the corresponding part number in the part list.
4. SUBASSEMBLY SUBASSEMBLY parts of part assembly are listed below the assembly part. The subassembly part reference number is indicated by the number led by "-" such as "-1", "-2".
5. PART NUMBER It is the number assigned for sales unit. Use the PART No. when making an order.
6. DESCRIPTION It is designation of the part.
7. QTY. Quantity of each part used for each product.
8. REMARKS This gives a distinctive feature and/or a supplementary comment for the type, the specification, and the part concerned. It also shows part number(s) interchangeable for the part.
9. FROM-TO This section shows the CODE No. to indicate the history of progress in which improved parts have been introduced in the product. The FROM-TO CODE No. helps to identify PART No. being employed in the product concerned. See the examples below:
 - The part is used in the product irrespective of CODE No.
 - 2101- The part is used in the products with CODE No. of 2101 and after this number.
 - 2100 The part is used in the products with CODE No. of 2100 and before this number.

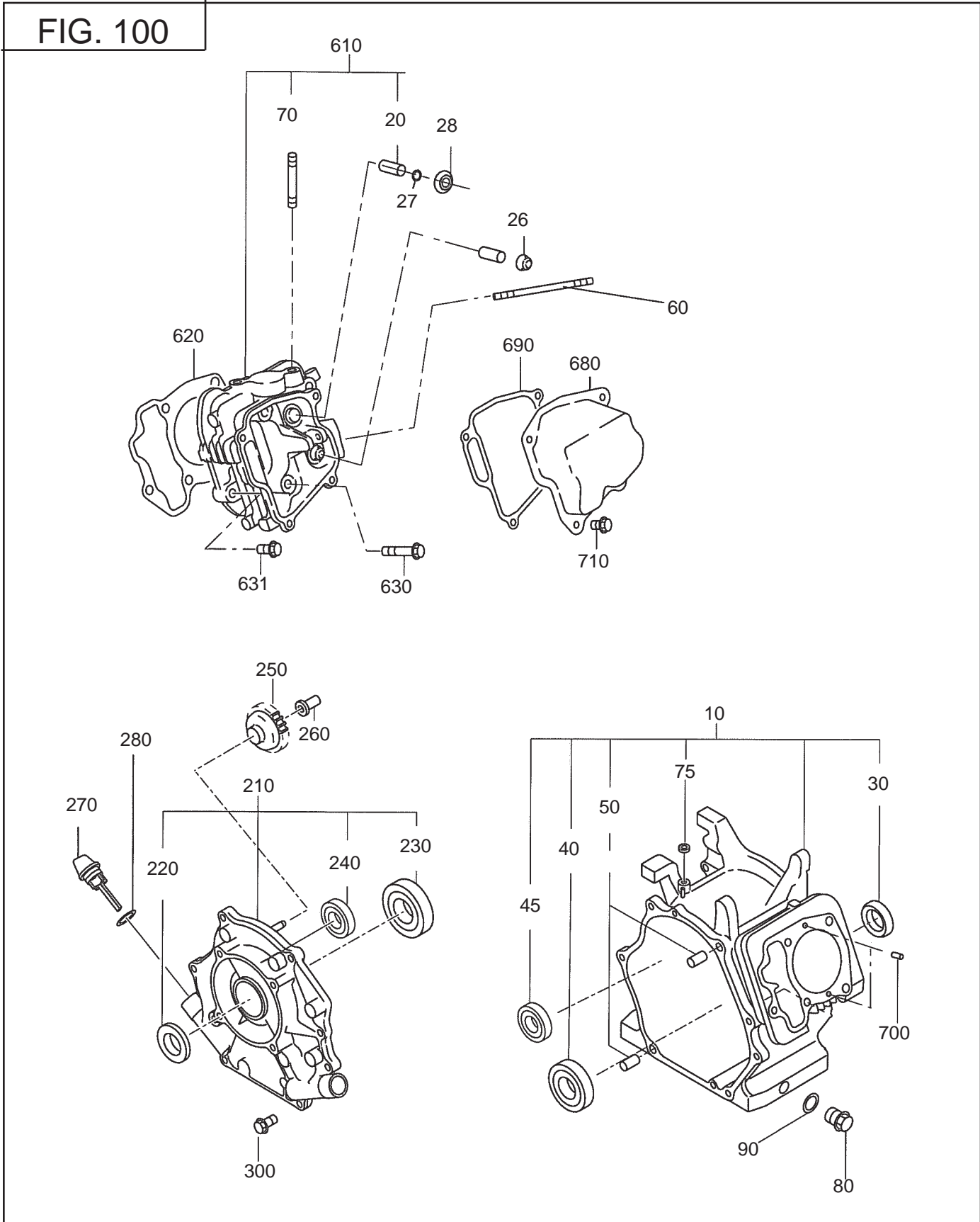
GROUP INDEX

Group Name	Page
CRANKCASE GROUP	6
CRANKSHAFT GROUP	8
INTAKE and EXHAUST GROUP	10
GOVERNOR GROUP	14
COOLING and STARTING GROUP	16
FUEL, LUBRICANT GROUP	18
CARBURETOR GROUP	20
ELECTRIC DEVICE GROUP	22
ACCESSORY GROUP	24

INDEX OF DESCRIPTION SYMBOLS			
SYMBOL	DESCRIPTION	SYMBOL	DESCRIPTION
AY	ASSEMBLY	P=	PITCH (in mm)
CP	COMPLETE	P.T.O. (PTO)	POWER TAKE OFF
EX	EXPORT (from Japan)	REF	REFERENCE
FIG	FIGURE	R.H. (RH)	RIGHT HAND SIDE
FR	FRONT	RR	REAR
"	INCH	STD.	STANDARD
INCL.	INCLUDE	SW	SWITCH
~L	LITER	T=	THICKNESS (in mm)
L=	LENGTH (in. mm)	UN	UNIT
L.H. (LH)	LEFT-HAND SIDE	U.S.	UNDER SIZE
MECH	MECHANICAL	~V	VOLTAGE
NO (NON)	NONE	~W	WATT
OPT	OPTIONAL	W/	WITH
O.S.	OVER SIZE	W/O	WITHOUT

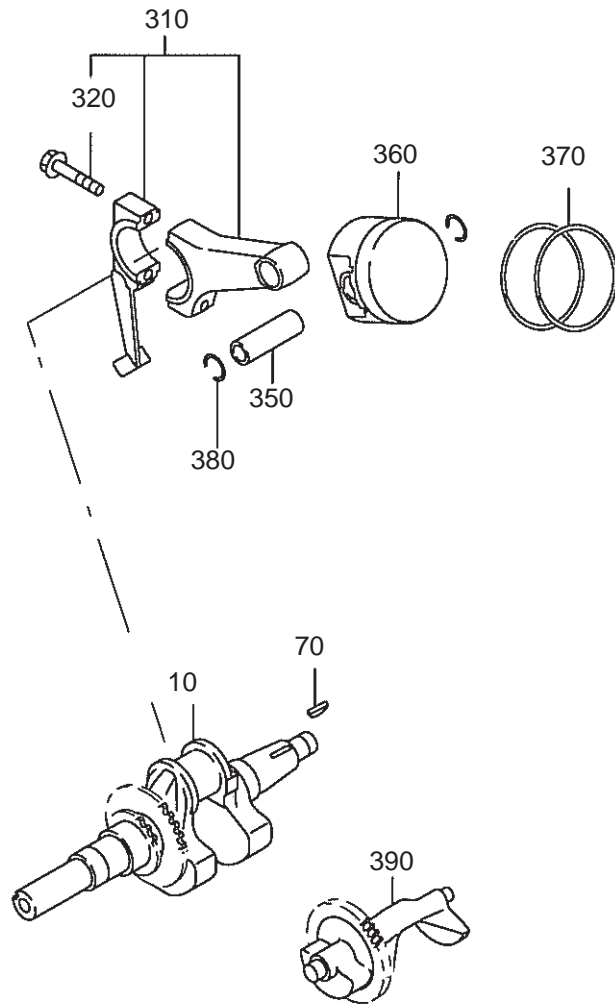
SECTION 1 CRANKCASE GROUP

FIG. 100



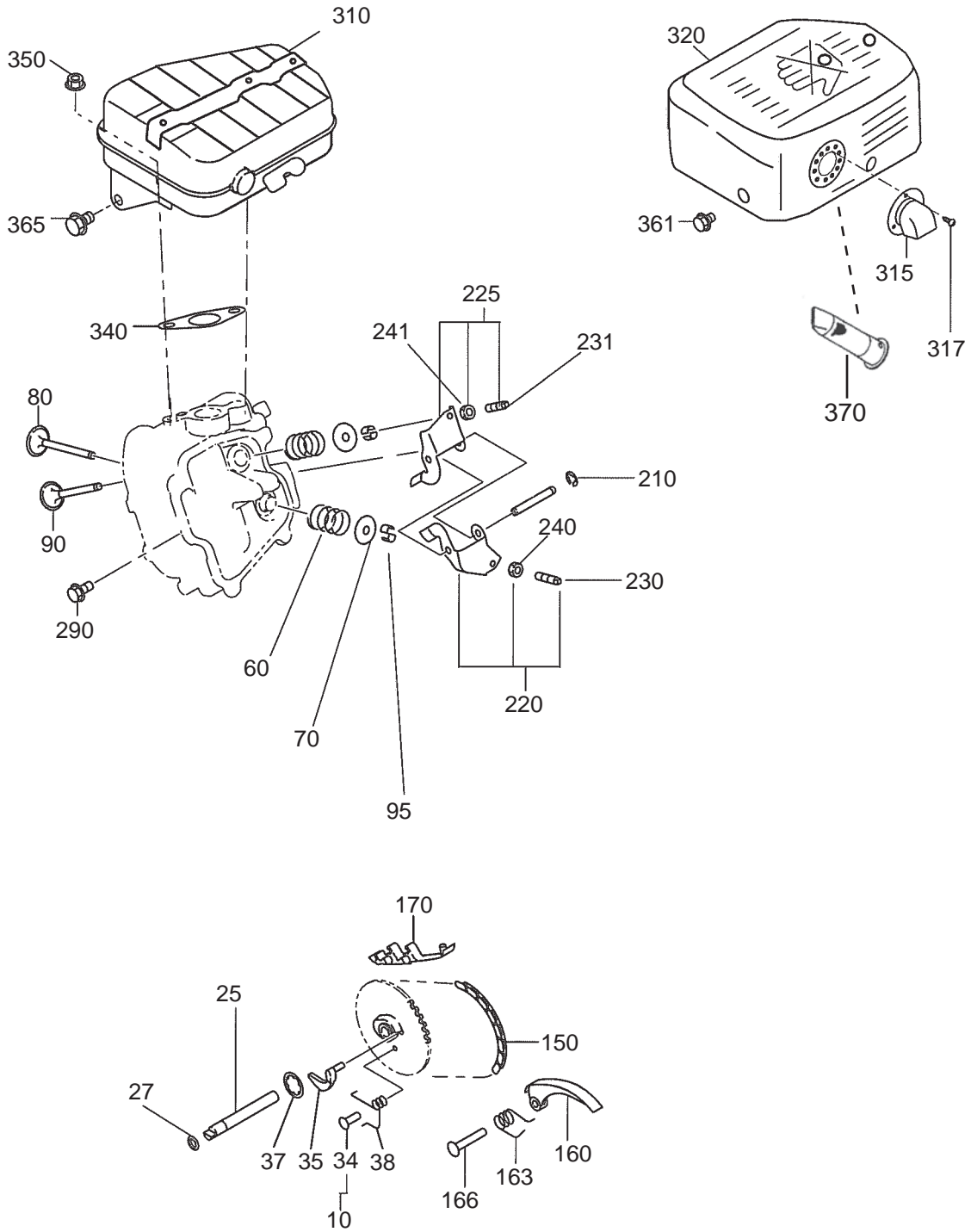
SECTION 2 CRANKSHAFT GROUP

FIG. 200



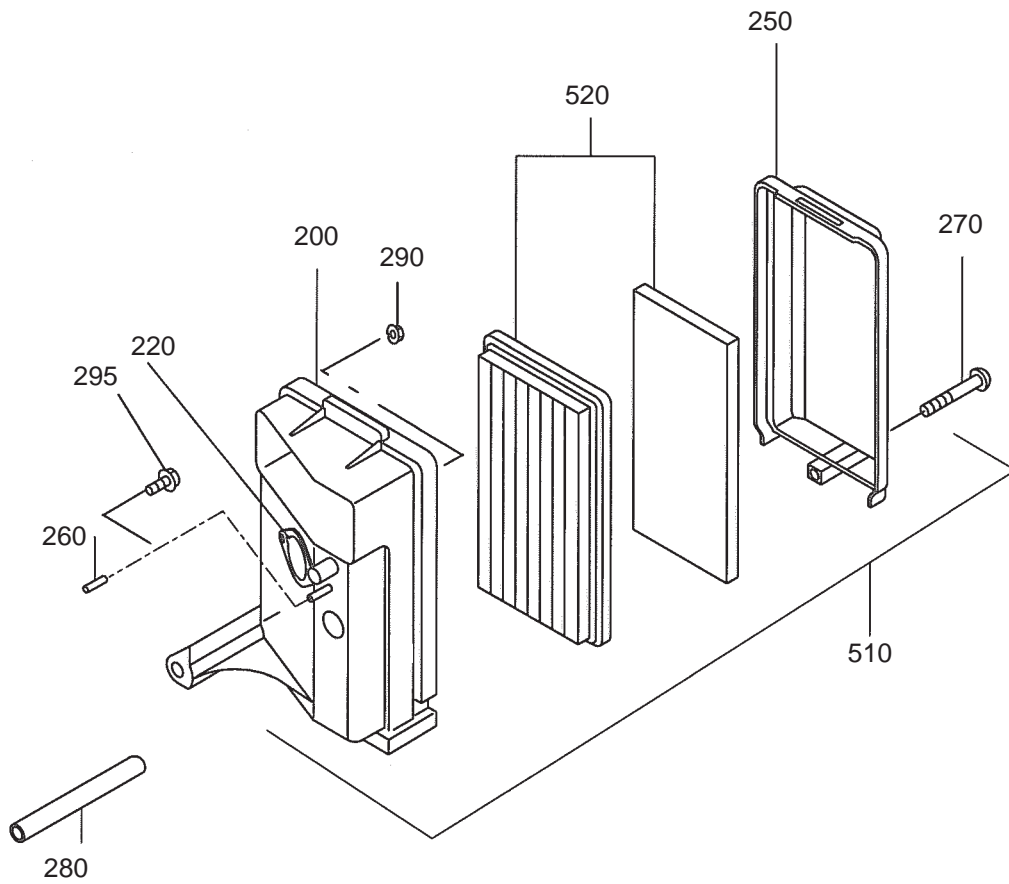
SECTION 3 INTAKE and EXHAUST GROUP

FIG. 300



SECTION 3 INTAKE and EXHAUST GROUP

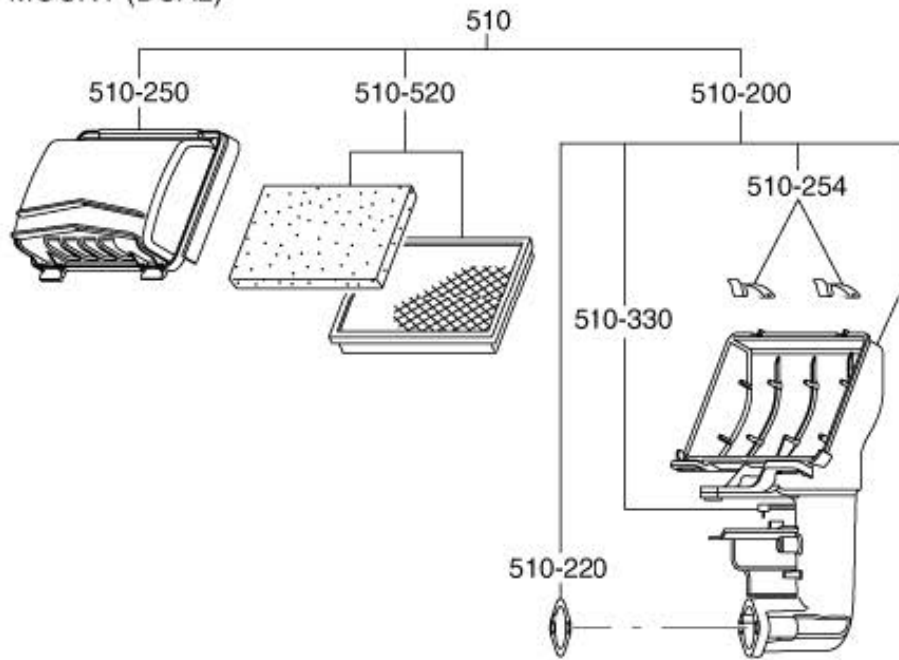
FIG. 3100E



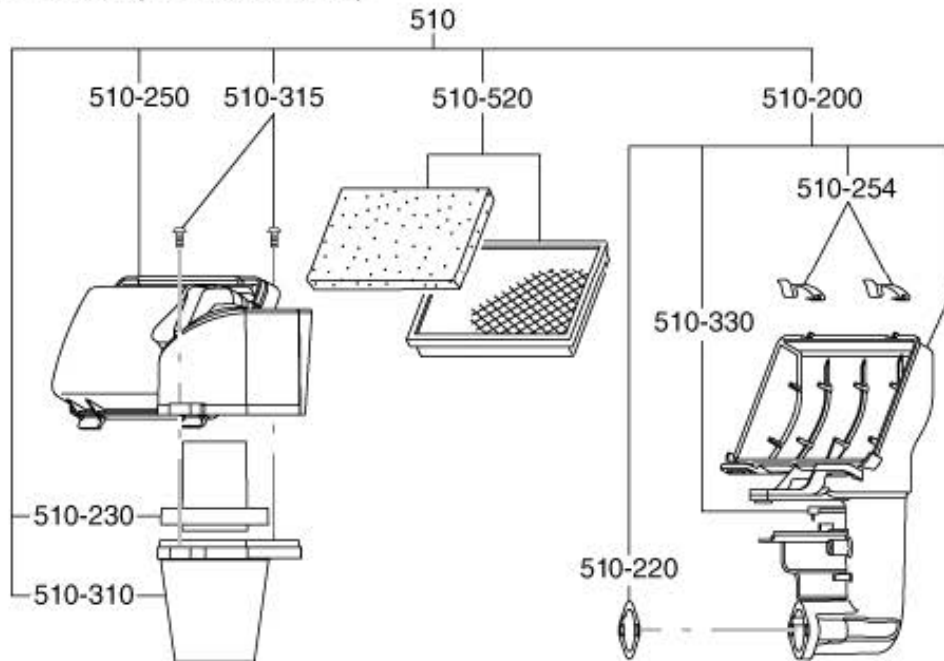
SECTION 3 INTAKE and EXHAUST GROUP

FIG. 310B

HI MOUNT (DUAL)



HI MOUNT (PRE CYCLONE)

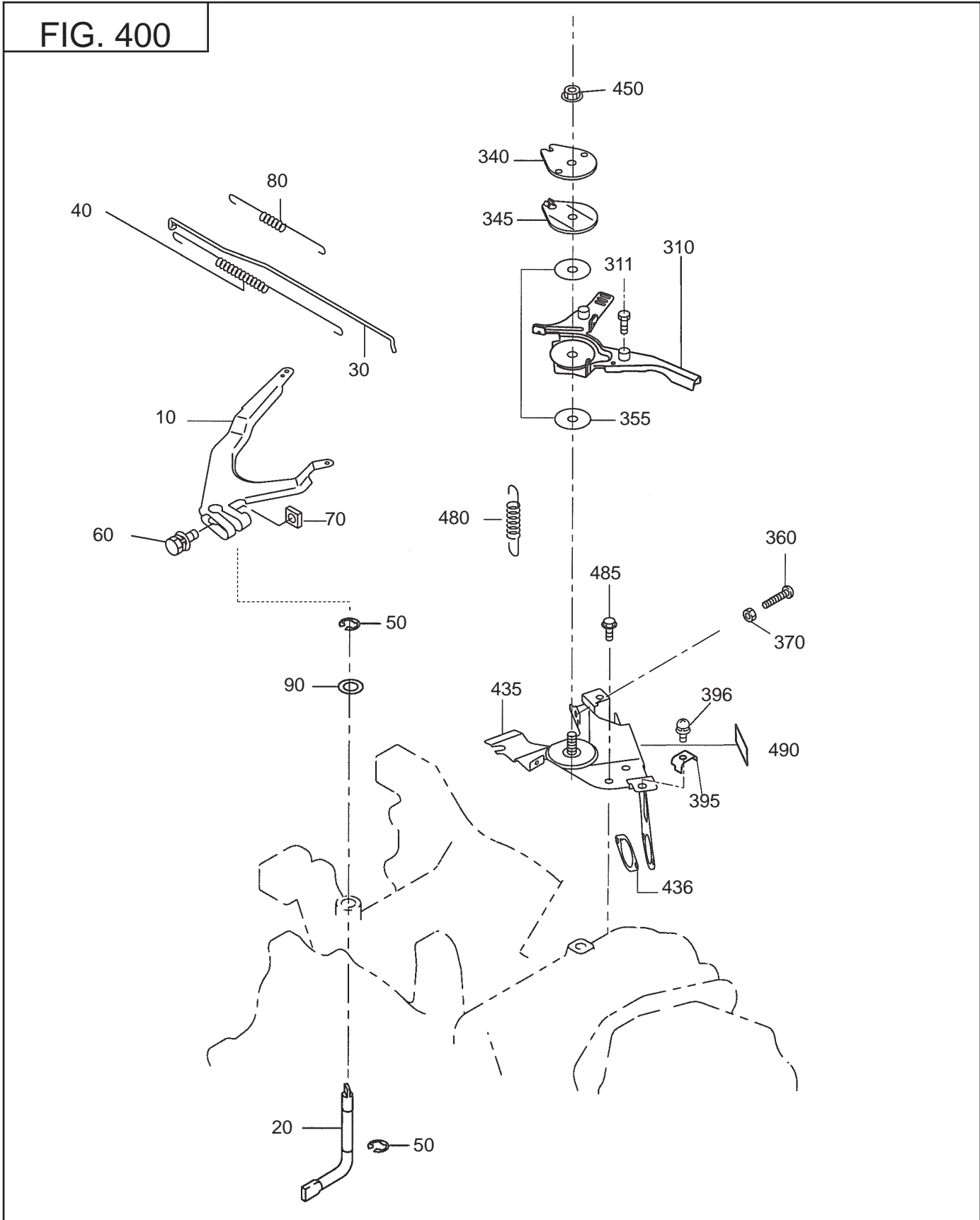


EX40

20B031701W00

SECTION 4 GOVERNOR GROUP

FIG. 400

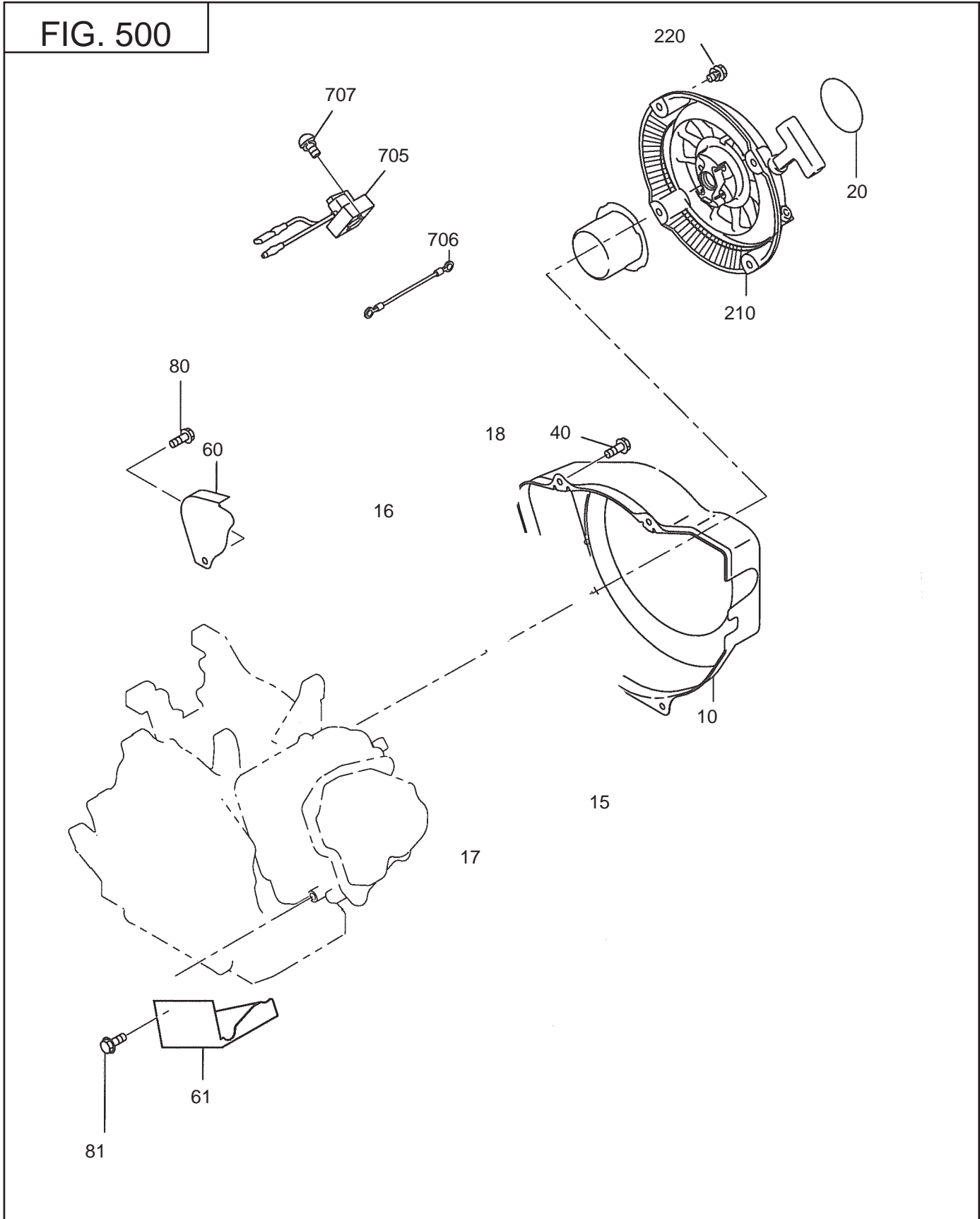


SECTION 4 GOVERNOR GROUP

Ref.	Part Number	Description	Qty	Remarks	To-From	Fig.
10	20B-42301-03	Governor Lever	1			400
20	20B-42201-13	Governor Shaft	1			400
30	20B-42701-01	Governor Rod	1			400
40	20B-42801-13	Rod Spring	1			400
50	003-13060-00	Clip	2			400
60	001-14062-50	Bolt and Washer	1			400
70	018-60600-20	Nut	1			400
80	20B-42503-13	Governor Spring	1			400
90	003-11080-00	Washer	1			400
310	20B-43301-01	Speed Control Lever Cp	1	Std		400
	20B-43351-03	Speed Control Lever	1	Generator		400
311	011-60400-30	Bolt, swivel	1			400
340	227-43501-13	Stop Plate	1			400
345	227-45002-03	Spring Washer	1			400
355	021-70600-30	Friction Washer	2			400
360	004-31061-80	Screw, panhead	1			400
370	002-27060-00	Nut	1			400
395	277-43902-03	Clamp	1			400
396	013-10500-30	Screw and Washer	1			400
435	20B-46001-11	Speed Control Bracket Cp	1			400
436	20B-35903-03	Gasket 3	1			400
450	002-35060-00	Self Lock Nut	1			400
480	267-45101-03	Return Spring	1			400
485	011-00600-20	Flange Bolt	1			400

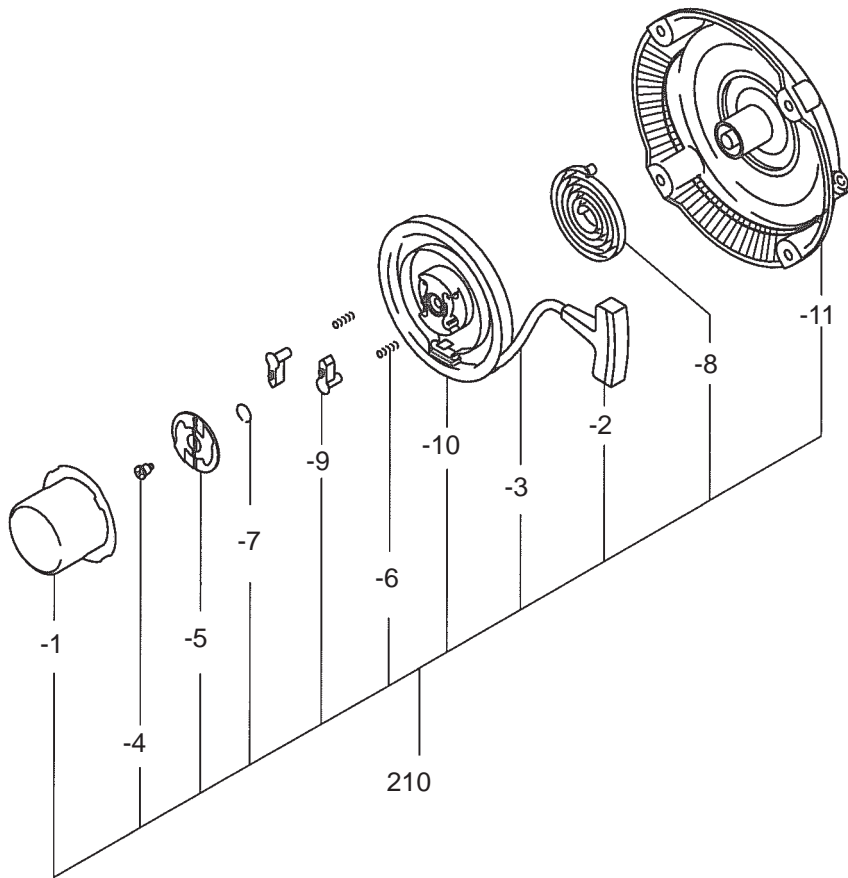
SECTION 5 COOLING and STARTING GROUP

FIG. 500



SECTION 5 COOLING and STARTING GROUP

FIG. 520

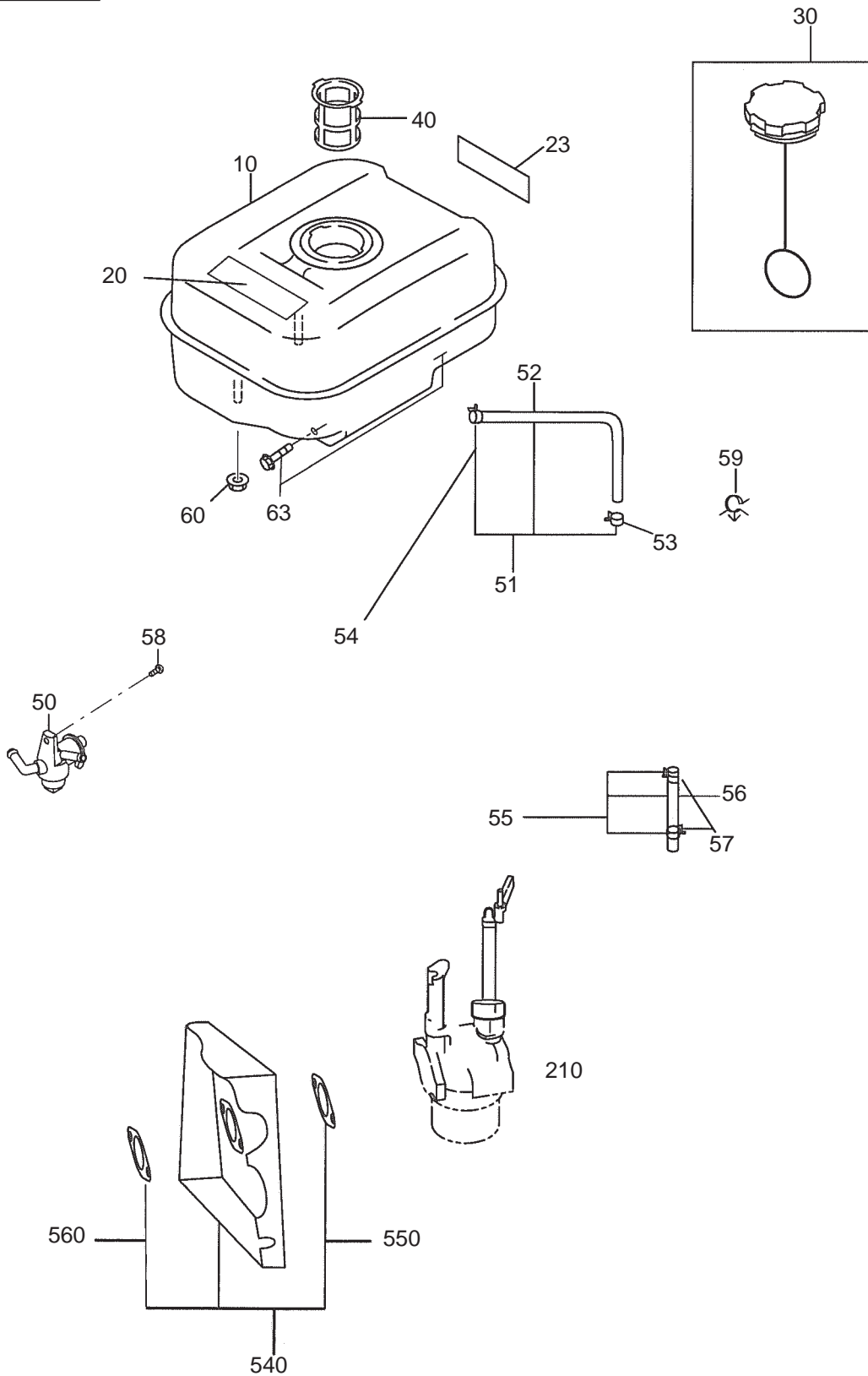


SECTION 5 COOLING and STARTING GROUP

Ref.	Part Number	Description	Qty	Remarks	To-From	Fig.
210	20B-50301-00	Recoil Starter Ay	1			520
-1	20B-50145-08	Starter Pulley	1			520
-2	261-50100-08	Starter Knob	1			520
-3	20B-50110-08	Starter Rope	1			520
-4	20B-50101-08	Set Screw	1			520
-5	161-50150-08	Ratchet Guide	1			520
-6	227-50135-08	Return Spring	2			520
-7	227-50131-08	Friction Spring	1			520
-8	277-50155-08	Spiral Spring	1			520
-9	161-50125-08	Ratchet	2			520
-10	20B-50120-08	Reel	1			520
-11	20B-50150-08	Starter Case	1			520

SECTION 6 FUEL, LUBRICATION GROUP

FIG. 600

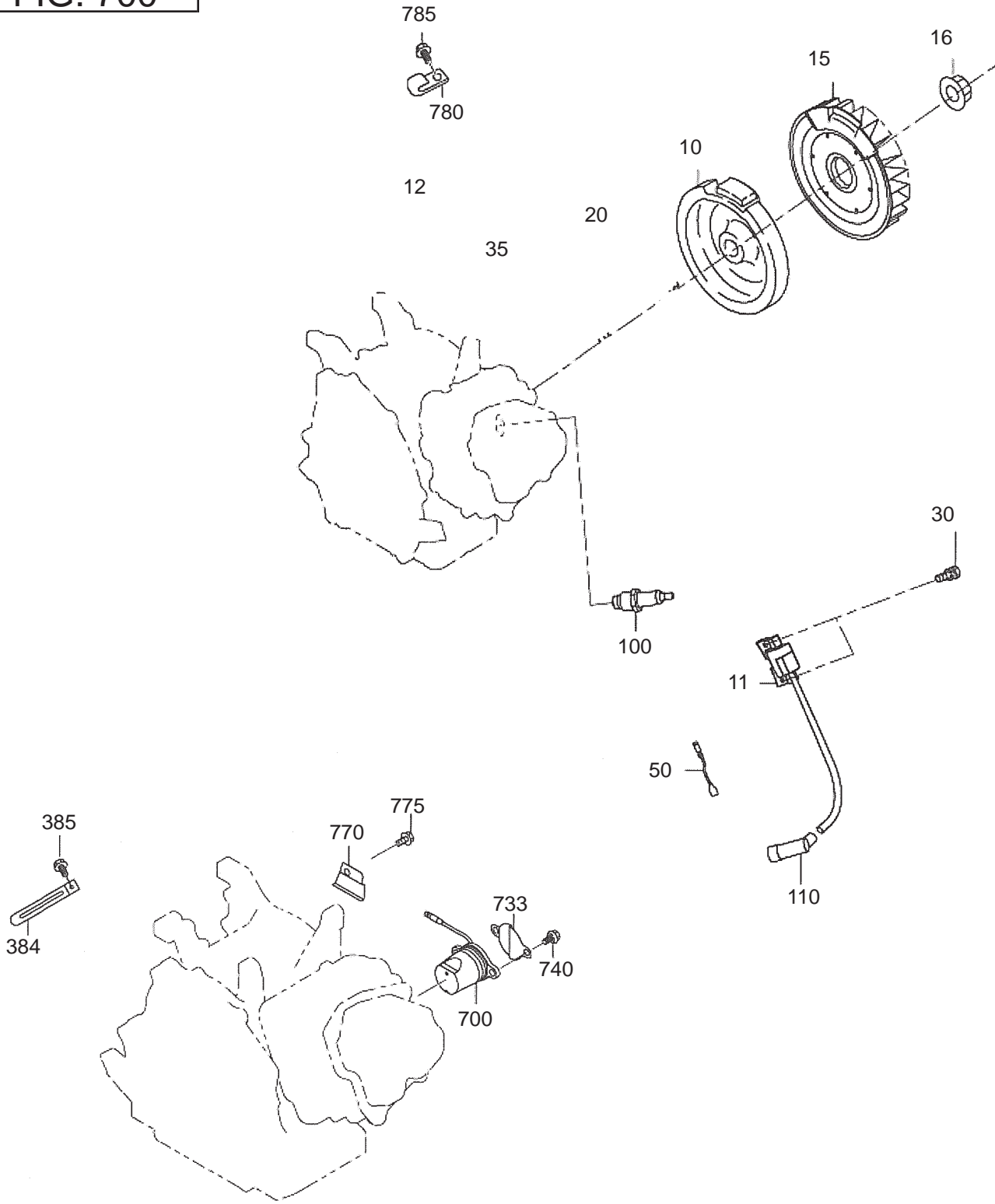


SECTION 6 FUEL, LUBRICATION GROUP

FIG. 610

SECTION 7 ELECTRIC DEVICE GROUP

FIG. 700



SECTION 7 ELECTRIC DEVICE GROUP

Ref.	Part Number	Description	Qty	Remarks	To-From	Fig.
10	20B-79230-H1	Flywheel Cp	1	Std		700
	20B-79241-H1	Flywheel Cp	1	15 Watt		700
11	20B-79430-H1	Ignition Coil	1			700
12	20B-79301-H1	Charge Coil	1	15 Watt		700
15	20B-54101-H3	Cooling Blower	1			700
16	018-01800-10	Flange Nut	1			700
20	20B-71002-03	Ring Gear	1			700
30	001-14062-50	Bolt and Washer Ay	2			700
35	004-35062-00	Screw and Washer Ay	2			700
50	20B-73101-01	Wire 1	1			700
100	065-01401-50	Spark Plug	1			700
110	065-50003-11	Spark Plug Cap	1			700
384	056-60002-50	Clamp	1			700
385	011-00600-10	Flange Bolt	1			700
700	279-76301-51	Oil Sensor	1			700
733	277-75801-03	Shield Plate	1			700
740	013-00602-60	Bolt and Washer	2			700
770	20B-75501-03	Wire Clamp	1			700
775	015-20600-50	Tapping Bolt	1			700
780	214-79006-01	Clamp Cp	1	stop wire		700
785	011-00600-10	Flange Bolt	1	clamp		700

FIG. 710

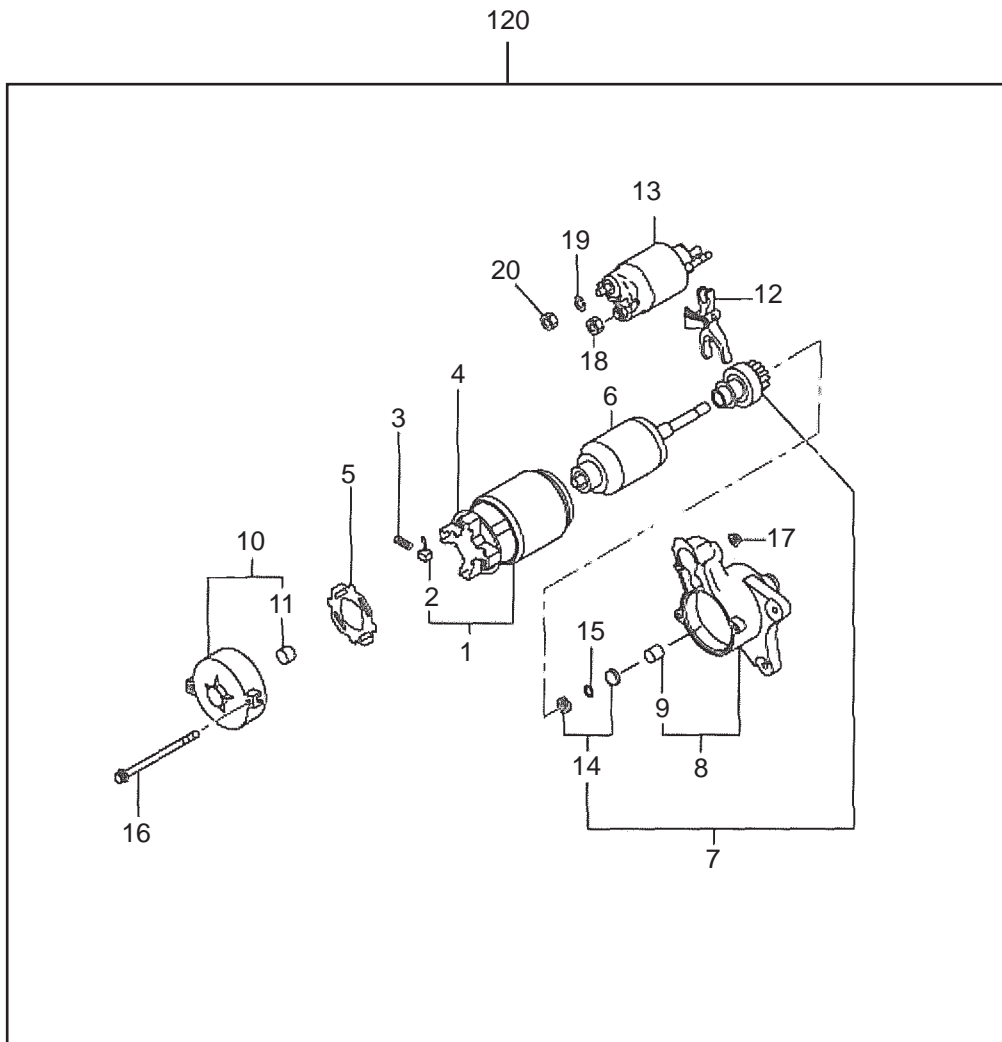
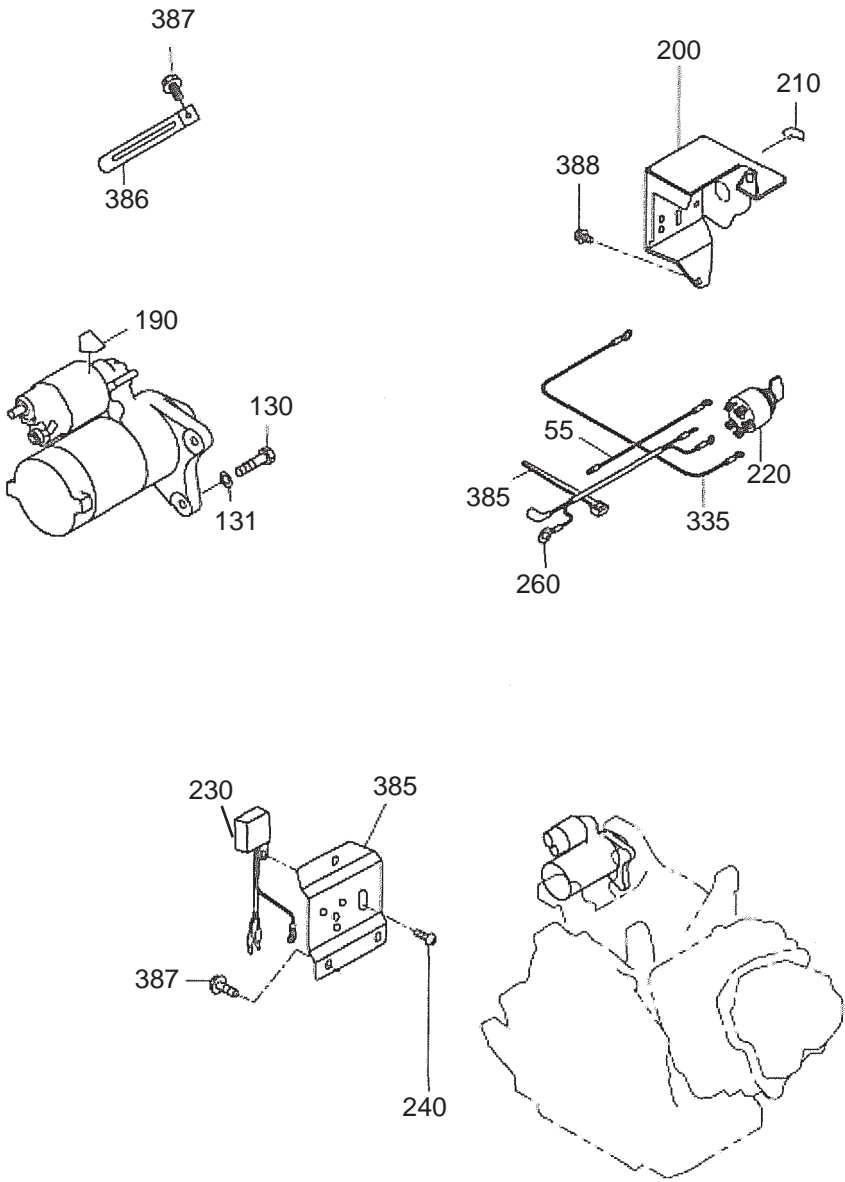
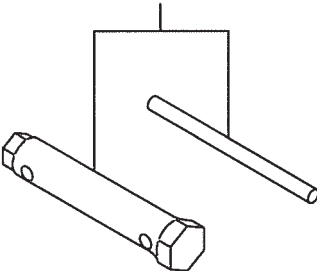


FIG. 720



SECTION 9 ACCESSORY GROUP

FIG. 900



PRINTED IN THE USA

Robin America, Inc

905 Telsler Road • Lake Zurich, IL 60047
Phone: 847-540-7300 • Fax: 847-438-5012
e-mail: sales@subarupower.com • www.subarupower.com