

PARTS MANUAL

MODEL
Parts
Manual

EA175VS5010

02/13



SUBARU

Industrial Power Products

Subaru Industrial Power Products

905 Telser Road - Lake Zurich, IL 60047 - Phone 847-540-7300 - Fax 847-438-5012

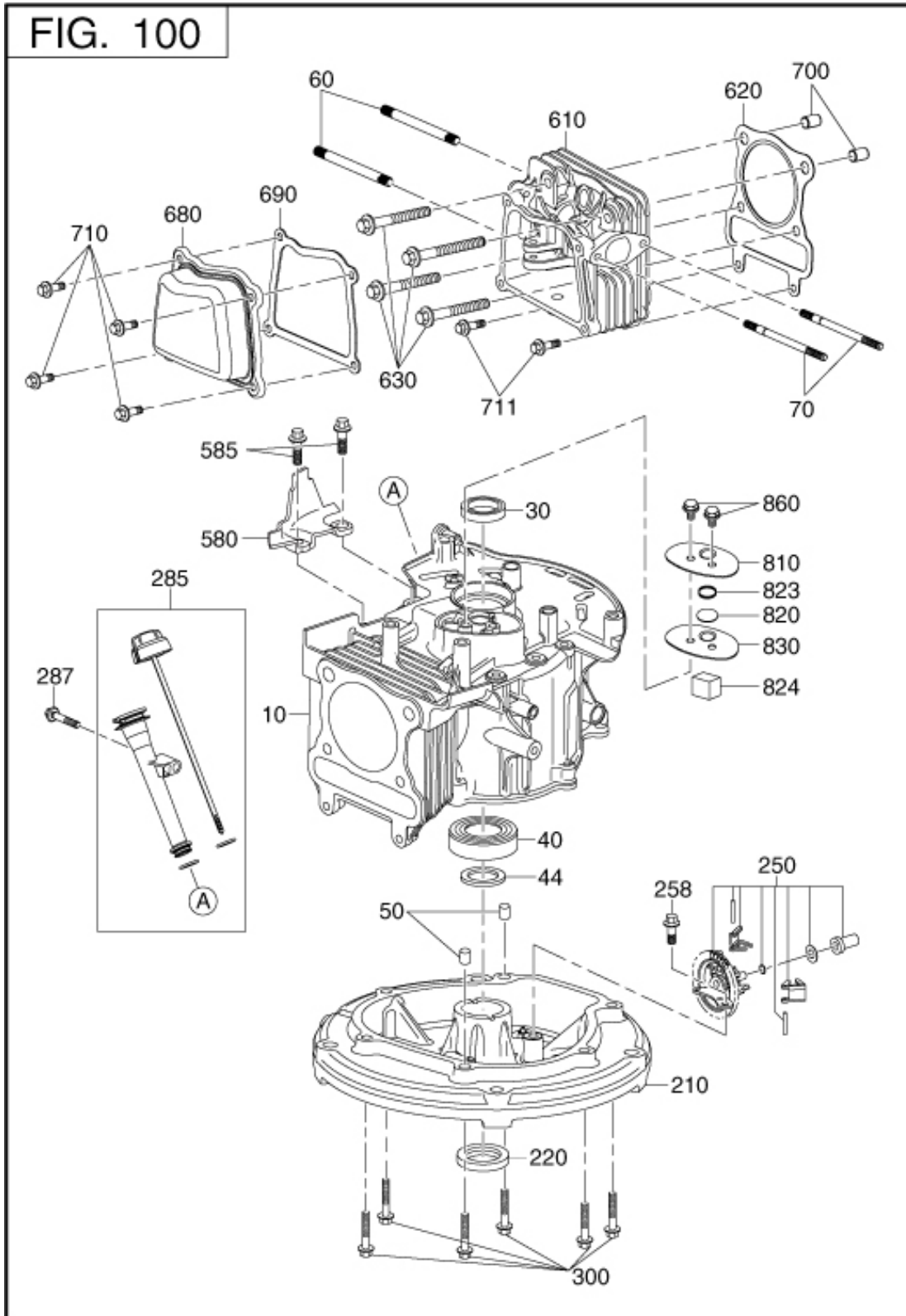
e-mail: sales@subarupower.com - www.subarupower.com

© 2012 Subaru Industrial Power Products

Group Index

Group Name	Page
100 Crankcase.....	4
200 Crankshaft.....	6
300 Intake & Exhaust.....	8
315 Intake & Exhaust.....	10
330 Intake & Exhaust.....	12
400 Governor.....	14
500 Cooling & Starting.....	16
600 Fuel & Lubricant.....	18
640 Fuel & Lubricant.....	20
700 Electric Device.....	22
730 Electric Device.....	24
900 Accessory.....	26
Part Number Index.....	28
Part Description Index.....	29

100 Crankcase



EA175V

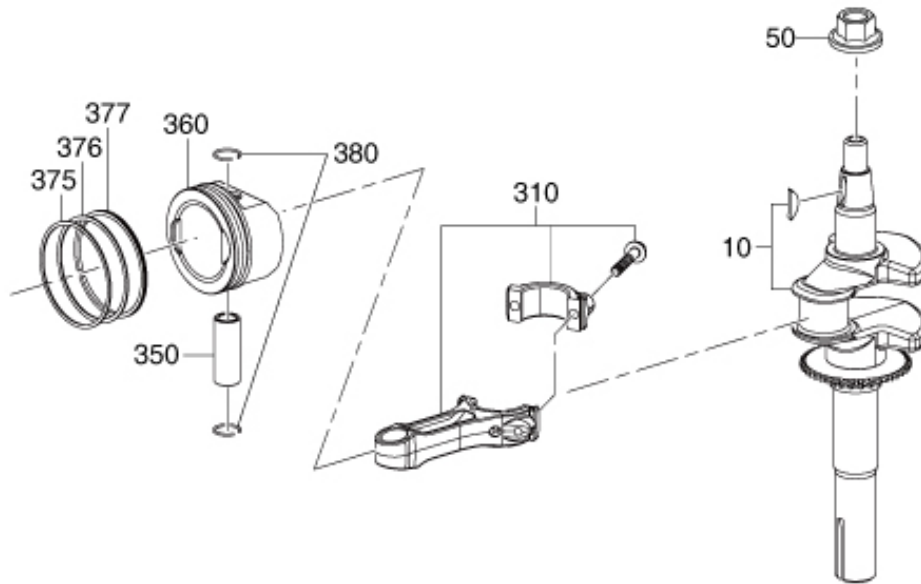
22C01000W00

100 Crankcase

Ref	Part Number.	Description	Qty	Remark
10	11310Z62011000	CRANKCASE ASSY.	1	
30	90682Z62011000	OIL SEAL	1	
40	90557Z62011000	BALL BEARING	1	
44	90408Z02011000	WASHER	1	
50	90502081000	DOWEL PIN	2	
60	90204Z62011000	STUD	2	
70	90204Z02031000	STUD	2	
210	11411Z62021000	CRANKCASE COVER	1	
220	90682Z02011000	OIL SEAL	1	
250	16400Z62011000	GOVERNOR GEAR ASSY.	1	
258	900070612A1	BOLT	1	
285	15010Z620110Q2	DIPSTICK ASSY.	1	
287	900070640A1	BOLT	1	
300	900070630A1	BOLT	6	
610	12140Z62011000	CYLINDER HEAD ASSY.	1	
620	12131Z62011000	CYLINDER HEAD GASKET.	1	
630	12003Z02011000	BOLT	4	
680	12411Z62011000	VALVE COVER	1	
690	12004Z62011000	VALVE COVER GASKET	1	
700	90502101400	DOWEL PIN	2	
710	900070612A1	BOLT	4	
711	900070625A1	BOLT	2	
810	11333Z62011000	BREATHER COVER	1	
820	11321Z62011000	BREATHER	1	
823	11322Z62011000	BREATHER SPRING	1	
824	11331Z62011000	BREATHER MESH	1	
830	11332Z62011000	BREATHER COVER GASKET	1	
860	900070612A1	BOLT	2	

200 Crankshaft

FIG. 200



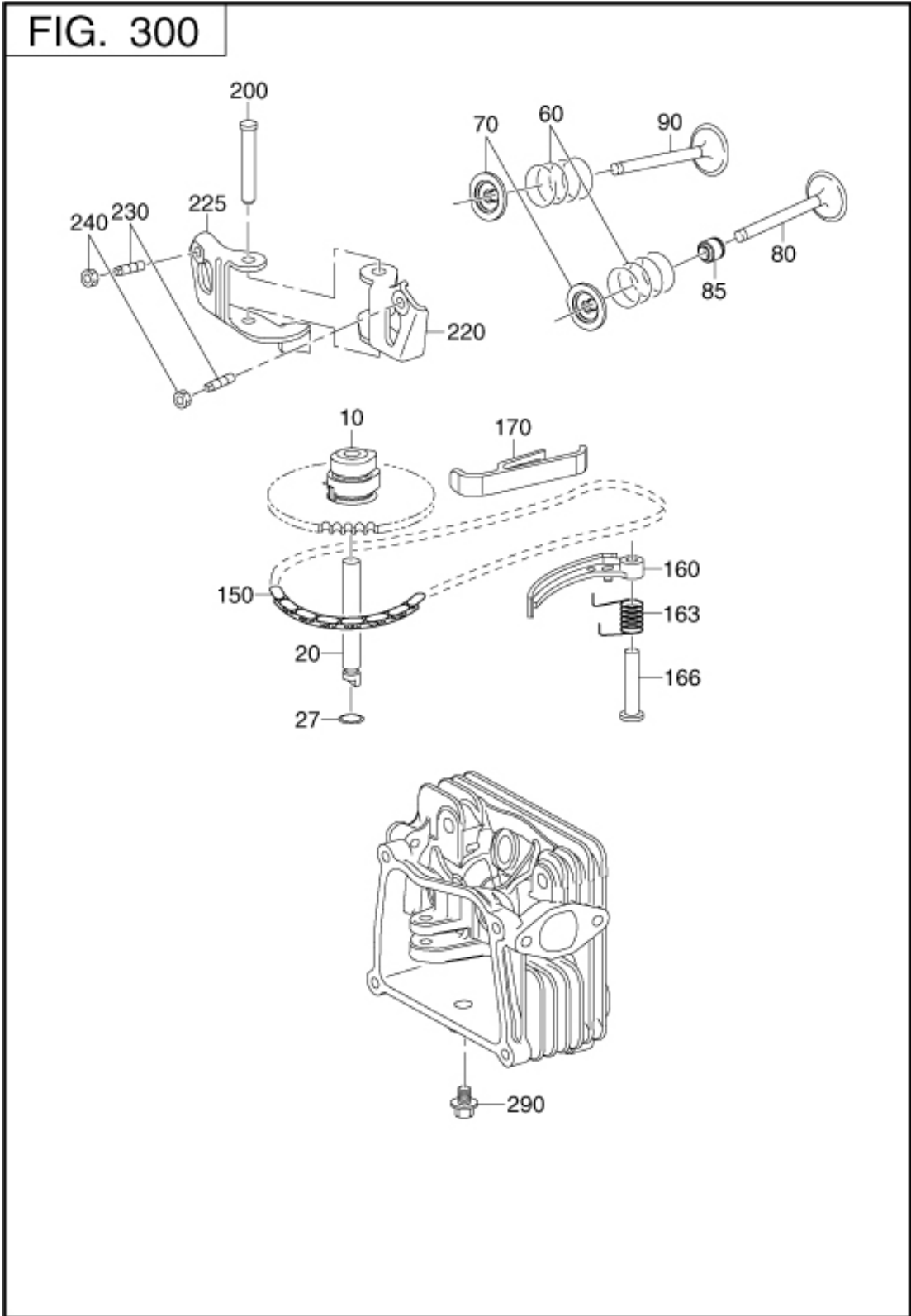
EA175V

22C020000W00

200 Crankshaft

Ref	Part Number.	Description	Qty	Remark
10	13300Z62141000	CRANKSHAFT ASSY.	1	
50	13501Z01011000	FLYWHEEL NUT	1	
310	13010-Z62011000	CONNECTING ROD ASSY.	1	
350	13121Z62011000	PISTON PIN	1	
360	13111Z62011000	PISTON	1	
375	13201Z01011000	FIRST PISTON RING	1	
376	13202Z01011000	SECOND PISTON RING	1	
377	13210Z01011000	OIL RING ASSY.	1	
380	13122Z62011000	SNAP RING,PISTON PIN	2	

300 Intake & Exhaust



EA175V

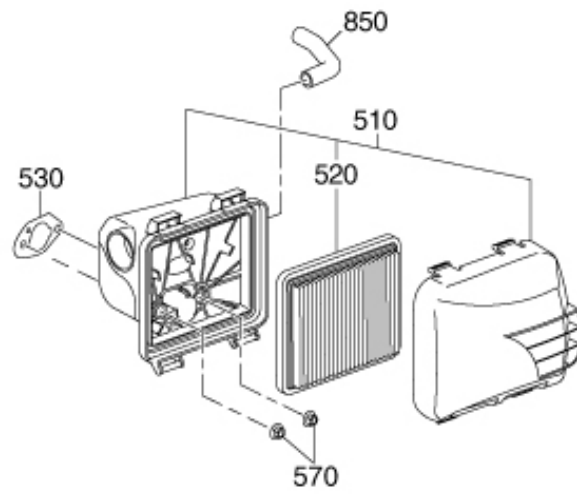
22C030000W00

300 Intake & Exhaust

Ref	Part Number.	Description	Qty	Remark
10	14200Z62011000	CAM GEAR ASSY.	1	
20	14216Z02011000	CAM SHAFT	1	
27	90681Z02011000	O-RING	1	
60	12103Z01011000	VALVE SPRING	2	
70	12112Z02012000	SPRING RETAINER	2	
80	12111Z62011000	INLET VALVE	1	
85	12101Z01011000	VALVE SEAL	1	
90	12121Z62011000	EXHAUSTVALVE	1	
150	90710Z62011000	CHAIN	1	
160	14440Z02011000	TENSIONER	1	
163	14402Z02014000	TENSIONER SPRING	1	
166	14403Z02012000	TENSIONER SHAFT	1	
170	14009-Z62011000	CHAIN GUIDE	1	
200	14330Z02021000	ROCKER ARM PIVOT	1	
220	14311Z02032000	INLET ROCKER ARM	1	
225	14321Z02032000	EXHAUST ROCKER ARM	1	
230	14314Z02021000	STUD, VALVE CLEARANCE ADJUSTMENT	2	
240	14312Z02021000	NUT, VALVE CLEARANCE ADJUSTMENT	2	
290	900070608A1	BOLT	1	

315 Intake & Exhaust

FIG. 315



EA175V

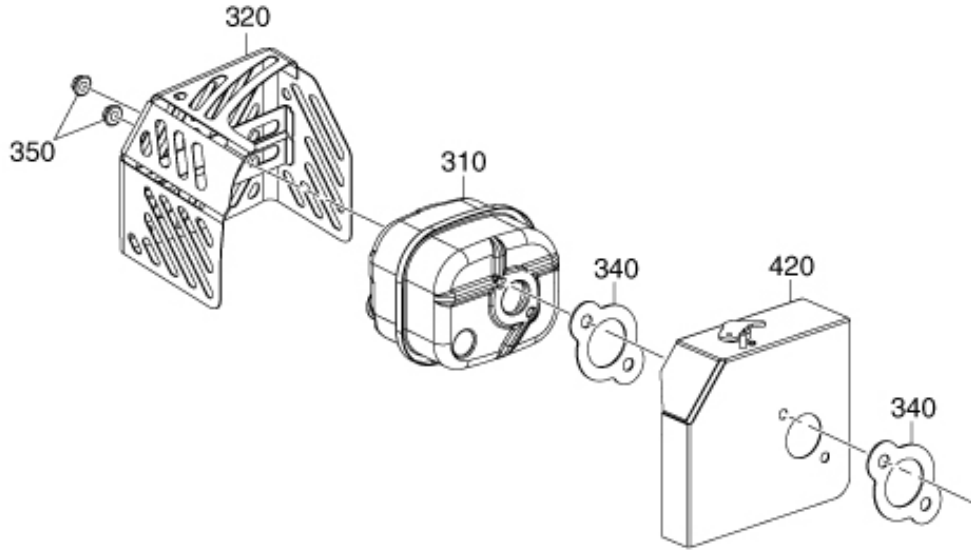
22C031500W00

315 Intake & Exhaust

Ref	Part Number.	Description	Qty	Remark
510	17100Z62011000	AIR CLEANER AY	1	
520	17150Z03011000	AIR CLEANER ELEMENT	1	
530	17001Z02013000	AIR CLEANER GASKET	1	
570	90305060031	NUT	2	
850	17004Z62011000	BREATH HOSE	1	

330 Intake & Exhaust

FIG. 330



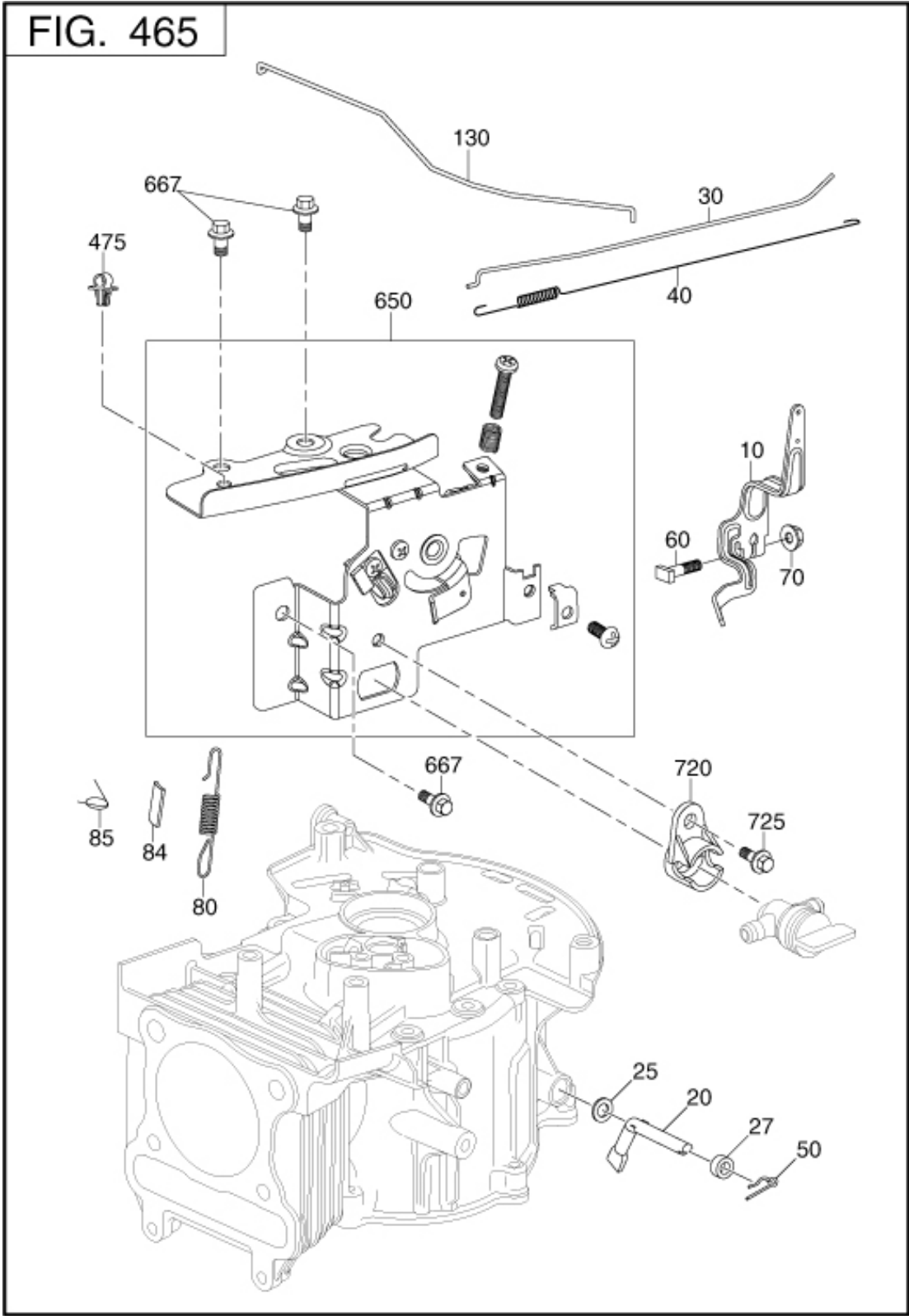
EA175V

22C033000W00

330 Intake & Exhaust

Ref	Part Number.	Description	Qty	Remark
320	18130Z620210QA	MUFFLER COVER	1	
340	18020Z62011000	MUFFLER GASKET	1	
310	18160Z62021000	MUFFLER	1	
350	90310060031	NUT	2	

400 Governor



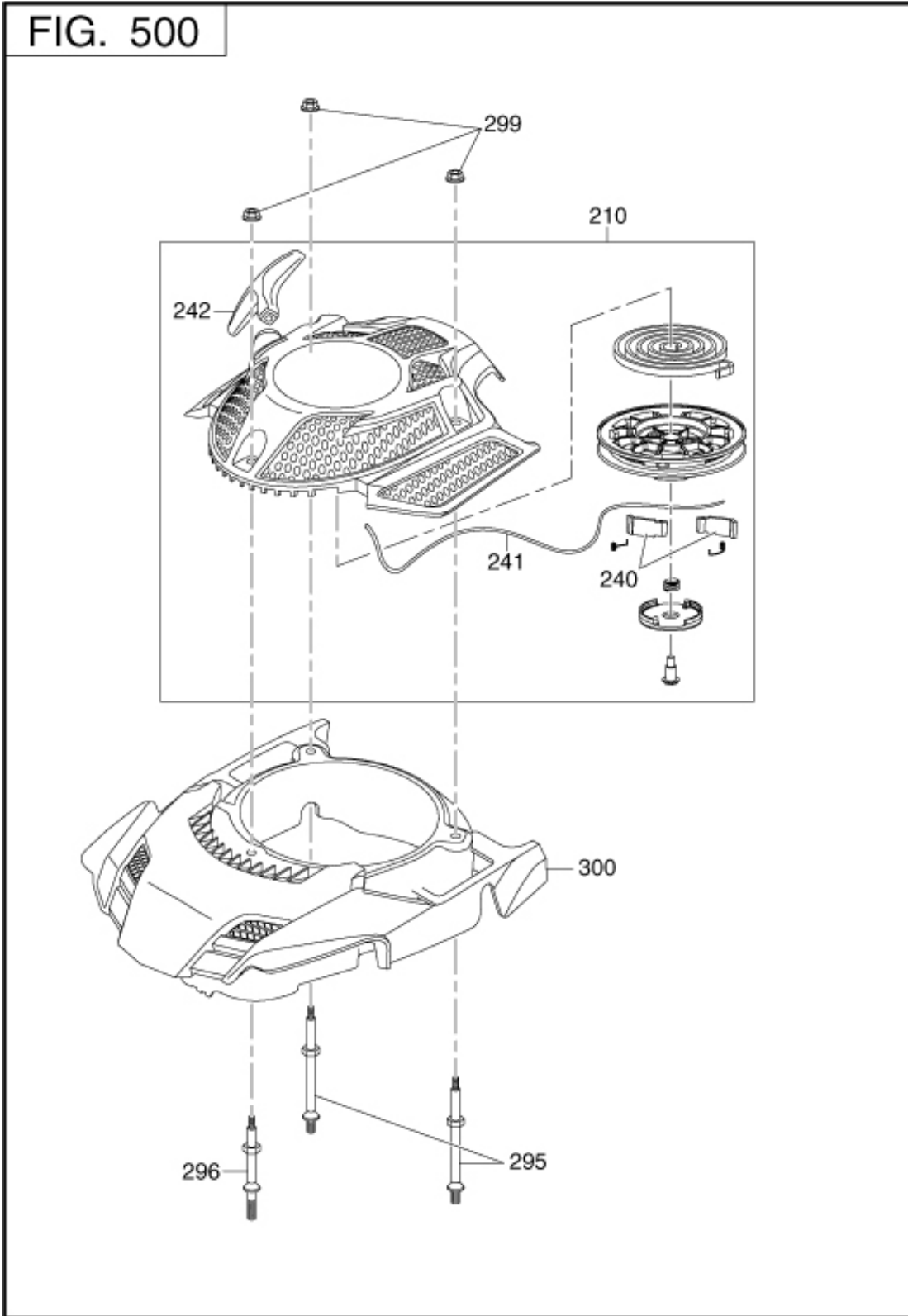
EA175V

22C046500W00

400 Governor

Ref	Part Number.	Description	Qty	Remark
10	16071Z62011000	GOVERNOR LEVER	1	
20	16061Z62011000	GOVERNOR ARM	1	
25	90408Z01021000	WASHER	1	
27	90682Z03021000	OIL SEAL	1	
30	16062Z62021000	THROTTLE CONTROL LEVER	1	
40	16012Z62011000	THROTTLE RETURNING SPRING	1	
50	90501Z01011000	COTTER PIN	1	
60	16072Z01011000	BOLT	1	
70	90305060031	NUT	1	
80	16063Z62031000	GOVERNOR SPRING	1	
130	16123Z62021000	CHOKE ROD	1	
667	900070612A1	BOLT	3	
720	16757Z02012000	FUEL VALVE BASE	1	
725	900070514A1	BOLT	1	
	16520Z62031000	SPEED CONTROL BRACKET ASSY	1	

500 Cooling & Starting



EA175V

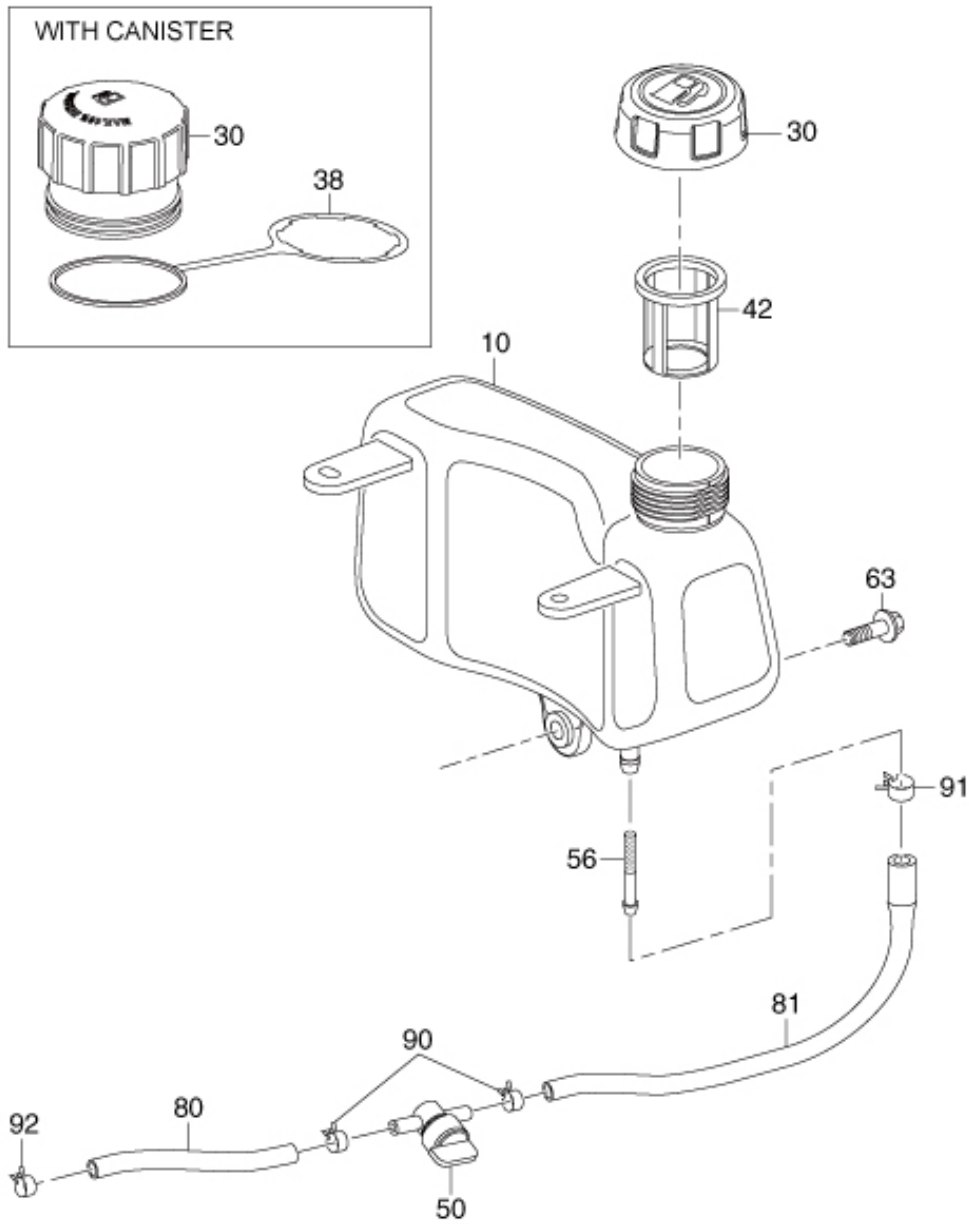
22C050000W00

500 Cooling & Starting

Ref	Part Number.	Description	Qty	Remark
210	28200Z620210Q2	RECOIL STARTER	1	
240	28239Z24011000	PAWL	2	
241	28221Z03012000	RECOIL ROPE(2.1m)	1	
242	28210Z02011000	RECOIL KNOB	1	
295	28001Z62021000	STUD	2	
296	28001Z62011000	STUD	1	
299	90305050031	NUT	3	
300	28110Z620110Q2	FAN COVER	1	

600 Fuel & Lubricant

FIG. 600



EA175V

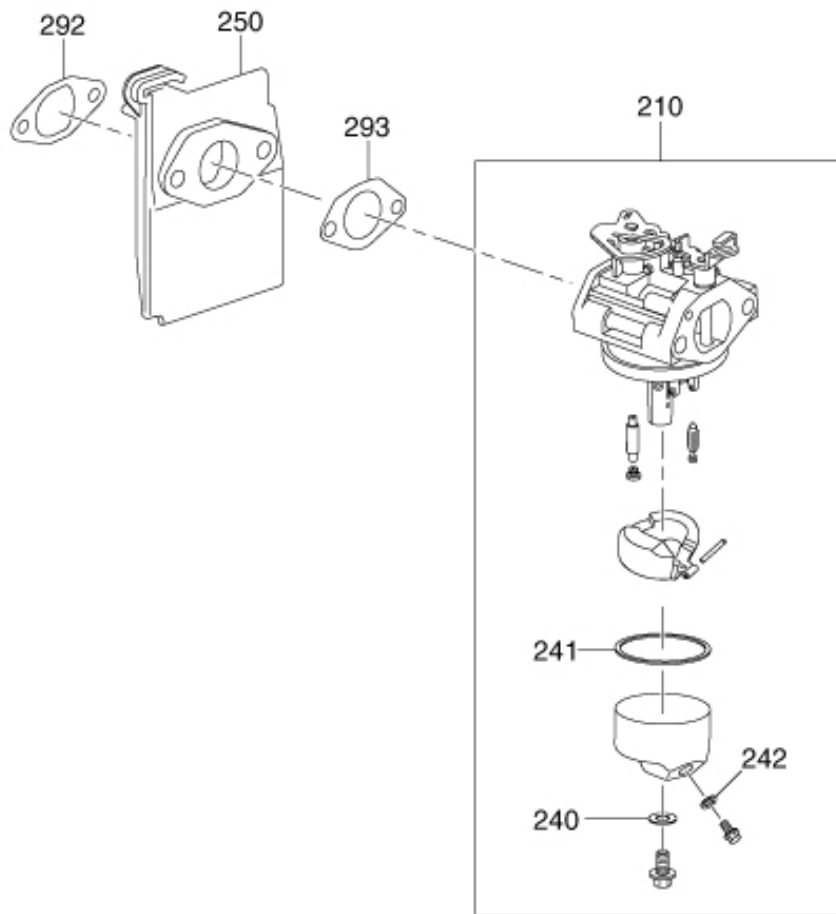
22C060000W00

600 Fuel & Lubricant

Ref	Part Number.	Description	Qty	Remark
10	16620Z62021001	FUEL TANK	1	
30	16730Z62021000	TANK CAP AY	1	
38	16744Z62011000	TETHER, TANK CAP	1	
42	16666Z62014000	OIL LEVEL MARK	1	
50	16752Z02011000	FUEL VALVE	1	
56	16652Z0311000	FUEL FILTER	1	
63	900070625A1	BOLT	1	
80	90686Z62011000	FUEL HOSE	1	
81	90686Z02032000	FUEL HOSE	1	
90	90685Z02011000	HOSE CLAMP	2	
91	90685Z03041000	HOSE CLAMP	1	
92	90685Z03022000	HOSE CLAMP	1	

640 Fuel & Lubricant

FIG. 640



EA175V

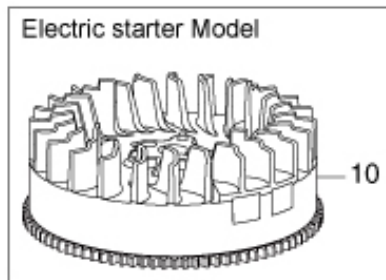
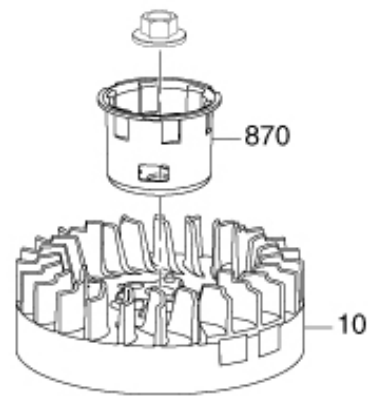
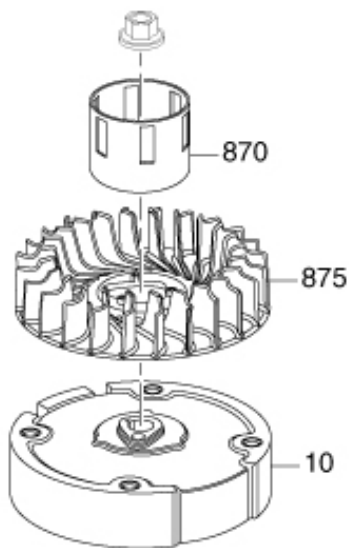
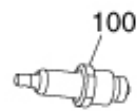
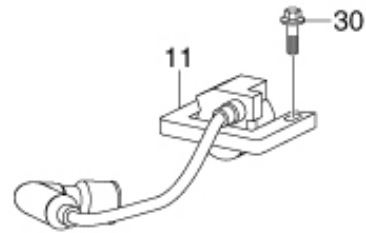
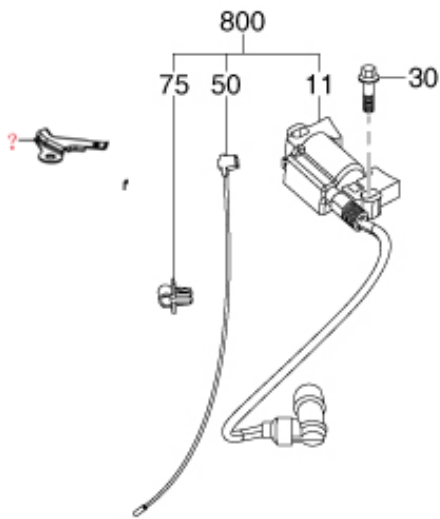
22C064000W00

640 Fuel & Lubricant

Ref	Part Number.	Description	Qty	Remark
210	16100Z62031099	CARBURETOR AY	1	
240	90681Z02011000	O-RING,FUEL CUP BOLT	1	
241	16112Z02011000	O-RING,FUEL CUP	1	
242	90409Z02011000	PACKING, FUEL DRAIN BOLT	1	
250	16003Z02022099	INSULATOR	1	
292	16002Z02011000	INSULATOR GASKET	1	
293	16001Z02012000	CARBURETOR GASKET	1	

700 Electric Device

FIG. 700



EA175V

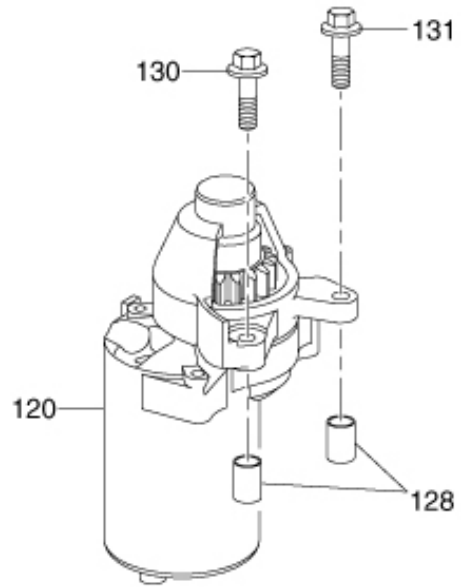
22C070000W00

700 Electric Device

Ref	Part Number.	Description	Qty	Remark
10	13510Z62031000	FLYWHEEL	1	
11	30400Z02121000	IGNITION COIL	1	
30	900070625A1	BOLT	3	
100	30010Z02012000	SPARK PLUG	1	
870	28002Z02021000	START CUP	1	
875	19352Z01011000	IMPELLER	1	
	30140Z02011000	CHARGING COIL ASSEMBLY	1	
	30001Z62011000	CHARGING COIL CLAMP	1	

730 Electric Device

FIG. 730



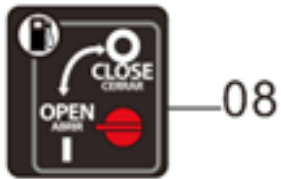
EA175V

22C073000W00

730 Electric Device

Ref	Part Number.	Description	Qty	Remark
120	30300Z02011000	STARTER MOTOR ASSY	1	
128	90502081200	DOWEL PIN(STARTER)	2	
130	900070625A1	BOLT(STARTER)	1	
131	900070630A1	BOLT(STARTER)	1	

900 Accessory



900 Accessory

Ref	Part Number.	Description	Qty	Remark
02	88013Z62011000	TRADE MARK LABEL	1	
08	88025Z62021000	FUEL VALVE LABEL	1	
05	88001Z02011000	WARNING LABEL	1	

Part Number Index

The Part Number Index is a numeric index of all part numbers included in this manual. The index shows what page(s) the part is used on.

Part Number	Page	Part Number	Page
11310Z620110005	19352Z0101100023
11321Z620110005	28001Z6201100017
11322Z620110005	28001Z6202100017
11331Z620110005	28002Z0202100023
11332Z620110005	28110Z620110Q217
11333Z620110005	28200Z620210Q217
11411Z620210005	28210Z0201100017
12003Z020110005	28221Z0301200017
12004Z620110005	28239Z2401100017
12101Z010110009	30001Z6201100023
12103Z010110009	30010Z0201200023
12111Z620110009	30140Z0201100023
12112Z020120009	30300Z0201100025
12121Z620110009	30400Z0212100023
12131Z620110005	88001Z0201100027
12140Z620110005	88013Z6201100027
12411Z620110005	88025Z6202100027
13010-Z620110007	900070514A115
13111Z620110007	900070608A19
13121Z620110007	900070612A15, 15
13122Z620110007	900070625A15, 19, 23, 25
13201Z010110007	900070630A15, 25
13202Z010110007	900070640A15
13210Z010110007	90204Z020310005
13300Z621410007	90204Z620110005
13501Z010110007	9030505003117
13510Z6203100023	9030506003111, 15
14009-Z620110009	9031006003113
14200Z620110009	90408Z0102100015
14216Z020110009	90408Z020110005
14311Z020320009	90409Z0201100021
14312Z020210009	90501Z0101100015
14314Z020210009	905020810005
14321Z020320009	9050208120025
14330Z020210009	905021014005
14402Z020140009	90557Z620110005
14403Z020120009	90681Z020110009, 21
14440Z020110009	90682Z020110005
15010Z620110Q25	90682Z0302100015
16001Z0201200021	90682Z620110005
16002Z0201100021	90685Z0201100019
16003Z0202209921	90685Z0302200019
16012Z6201100015	90685Z0304100019
16061Z6201100015	90686Z0203200019
16062Z6202100015	90686Z6201100019
16063Z6203100015	90710Z620110009
16071Z6201100015		
16072Z0101100015		
16100Z6203109921		
16112Z0201100021		
16123Z6202100015		
16400Z620110005		
16520Z6203100015		
16620Z6202100119		
16652Z031100019		
16666Z6201400019		
16730Z6202100019		
16744Z6201100019		
16752Z0201100019		
16757Z0201200015		
17001Z0201300011		
17004Z6201100011		
17100Z6201100011		
17150Z0301100011		
18020Z6201100013		
18130Z620210QA13		
18160Z6202100013		

Part Description Index

The Part Description Index is an alphabetical index of all part descriptions included in this manual. The index shows what page(s) the part is used on.

A

AIR CLEANER AY.....11
AIR CLEANER ELEMENT.....11
AIR CLEANER GASKET.....11

B

BALL BEARING.....5
BOLT.....5, 9, 15, 19, 23
BOLT(STARTER).....25
BREATH HOSE.....11
BREATHER.....5
BREATHER COVER.....5
BREATHER COVER GASKET.....5
BREATHER MESH.....5
BREATHER SPRING.....5

C

CAM GEAR ASSY.....9
CAM SHAFT.....9
CARBURETOR AY.....21
CARBURETOR GASKET.....21
CHAIN.....9
CHAIN GUIDE.....9
CHARGING COIL ASSEMBLY.....23
CHARGING COIL CLAMP.....23
CHOKE ROD.....15
CONNECTING ROD ASSY.....7
COTTER PIN.....15
CRANKCASE ASSY.....5
CRANKCASE COVER.....5
CRANKSHAFT ASSY.....7
CYLINDER HEAD ASSY.....5
CYLINDER HEAD GASKET.....5

D

DIPSTICK ASSY.....5
DOWEL PIN.....5
DOWEL PIN(STARTER).....25

E

EXHAUST ROCKER ARM.....9
EXHAUSTVALVE.....9

F

FAN COVER.....17
FIRST PISTON RING.....7
FLYWHEEL.....23
FLYWHEEL NUT.....7
FUEL FILTER.....19
FUEL HOSE.....19
FUEL TANK.....19
FUEL VALVE.....19
FUEL VALVE BASE.....15
FUEL VALVE LABEL.....27

G

GOVERNOR SPRING.....15
GOVERNOR ARM.....15
GOVERNOR GEAR ASSY.....5
GOVERNOR LEVER.....15

H

HOSE CLAMP.....19
HOSE CLAMP.....19

I

IGNITION COIL.....23
IMPELLER.....23
INLET ROCKER ARM.....9
INLET VALVE.....9
INSULATOR.....21
INSULATOR GASKET.....21

M

MUFFLER.....13
MUFFLER COVER.....13
MUFFLER GASKET.....13

N

NUT.....11, 13, 15, 17
NUT, VALVE CLEARANCE ADJUSTMENT.....9

O

O-RING.....9
O-RING,FUEL CUP.....21
O-RING,FUEL CUP BOLT.....21
OIL LEVEL MARK.....19
OIL RING ASSY.....7
OIL SEAL.....5, 15

P

PACKING, FUEL DRAIN BOLT.....21
PAWL.....17
PISTON.....7
PISTON PIN.....7

R

RECOIL KNOB.....17
RECOIL ROPE(2.1m).....17
RECOIL STARTER.....17
ROCKER ARM PIVOT.....9

S

SECOND PISTON RING.....7
SNAP RING,PISTON PIN.....7
SPARK PLUG.....23
SPEED CONTROL BRACKET ASSY.....15
SPRING RETAINER.....9
START CUP.....23

STARTER MOTOR ASSY.....25
STUD.....5, 17
STUD, VALVE CLEARANCE ADJUSTMENT...9

T

TANK CAP AY.....19
TENSIONER.....9
TENSIONER SHAFT.....9
TENSIONER SPRING.....9
TETHER, TANK CAP.....19
THROTTLE CONTROL LEVER.....15
THROTTLE RETURNING SPRING.....15
TRADE MARK LABEL.....27

V

VALVE COVER.....5
VALVE COVER GASKET.....5
VALVE SEAL.....9
VALVE SPRING.....9

W

WARNING LABEL.....27
WASHER.....5, 15

PRINTED IN THE USA

Subaru Industrial Power Products

905 Telser Road - Lake Zurich, IL 60047

Phone 847-540-7300 - Fax 847-438-5012

e-mail: sales@subarupower.com - www.subarupower.com