

PARTS MANUAL

Model

PKV110

Pump

PUB-PP6474
Rev. 12/07

GROUP INDEX

Group Name	Page
PUMP	4
CRANKCASE, CYLINDER and MUFFLER	6
CRANKSHAFT and PISTON	8
INTAKE and EXHAUST	10
GOVERNOR, OPERATION	12
COOLING and STARTING	14
FUEL, LUBRICANT	16
ELECTRIC DEVICE	18
ACCESSORIES	20

Robin America, Inc.

905 Telser Road • Lake Zurich, IL 60047 • Phone: 847-540-7300 • Fax: 847-438-5012
e-mail: sales@robinamerica.com • www.robinamerica.com

© Copyright 2007 Robin America, Inc.

FIG. 1 PUMP

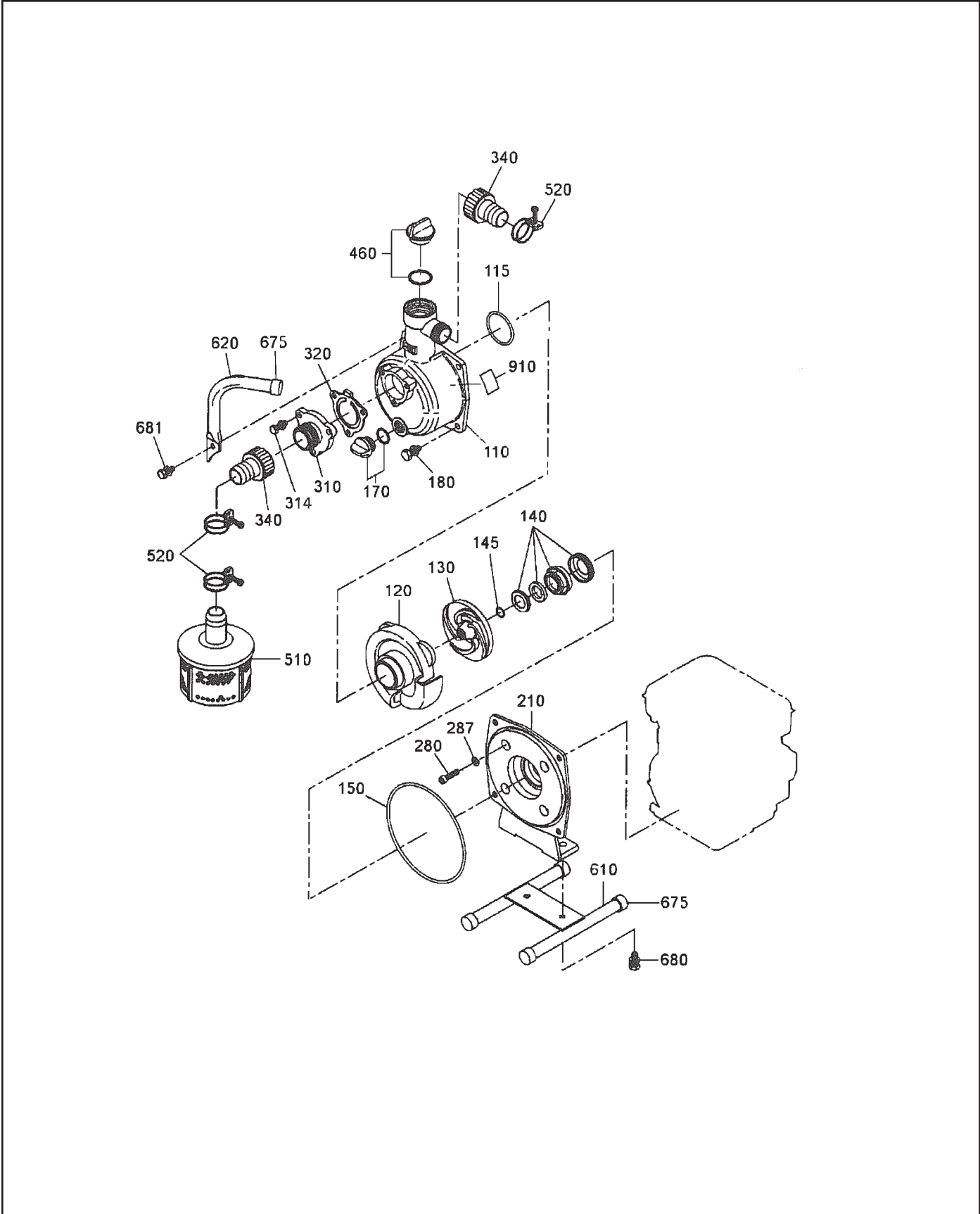


FIG. 3 **CRANKSHAFT and PISTON**

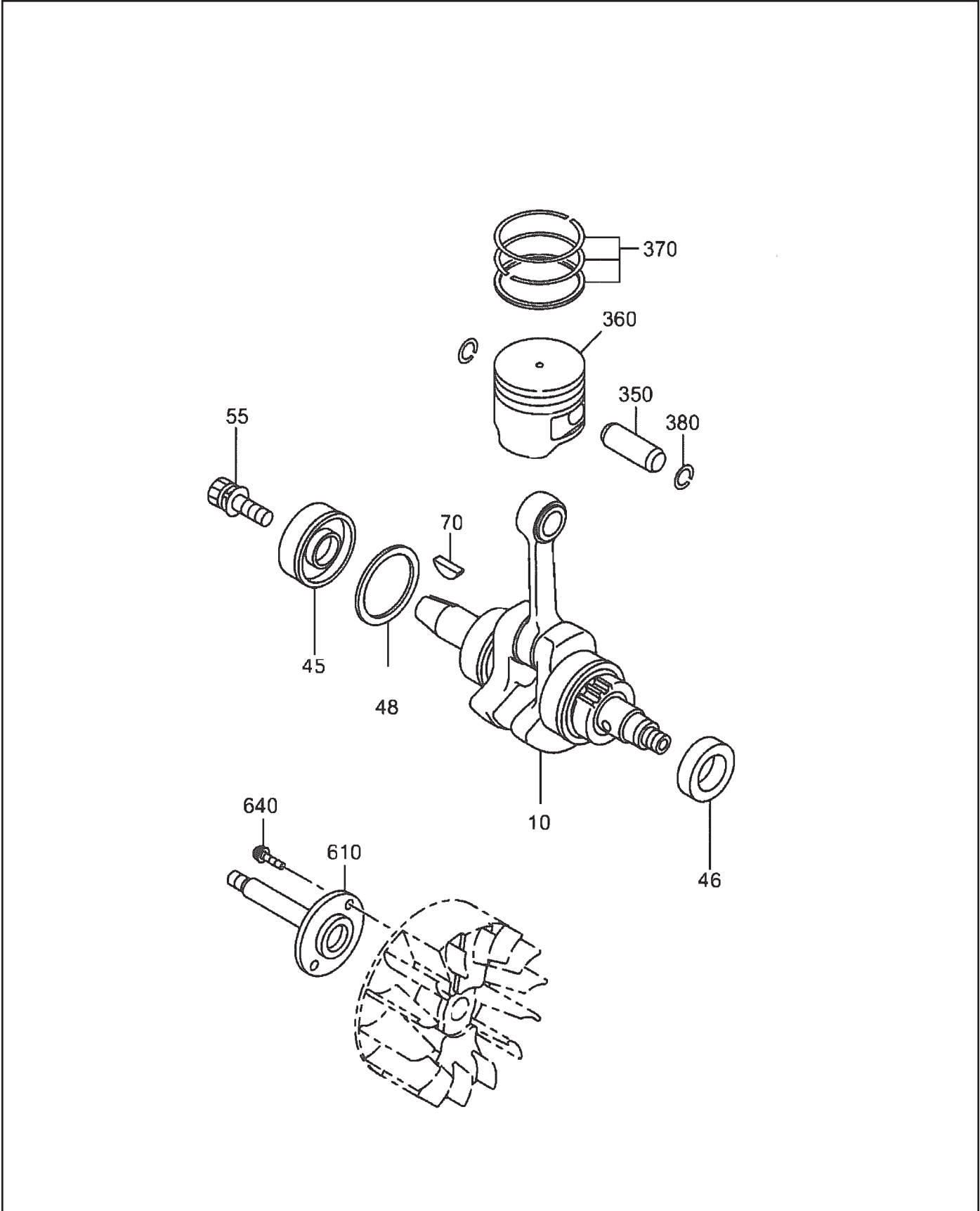


FIG. 4 INTAKE and EXHAUST

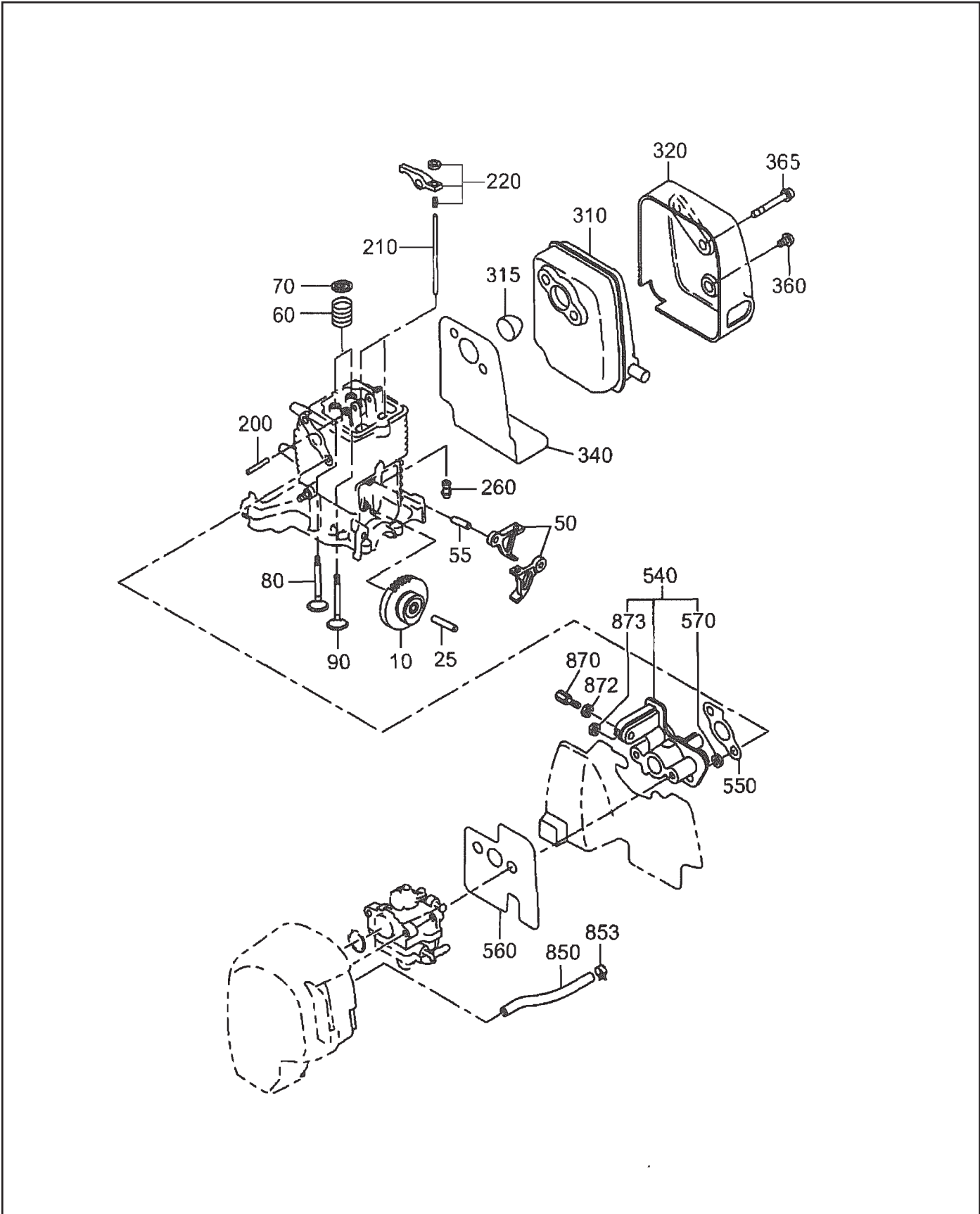


FIG. 4 INTAKE and EXHAUST

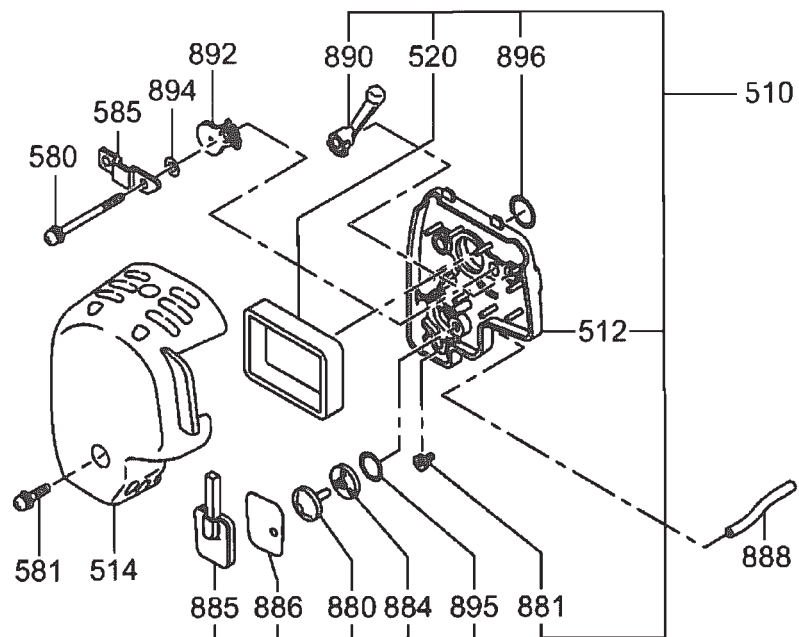


FIG. 5 GOVERNOR, OPERATION

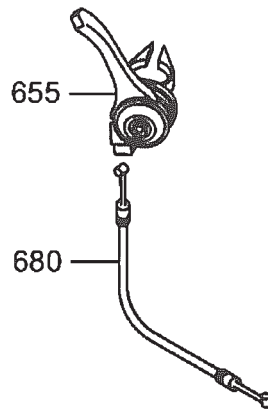


FIG. 6 COOLING and STARTING

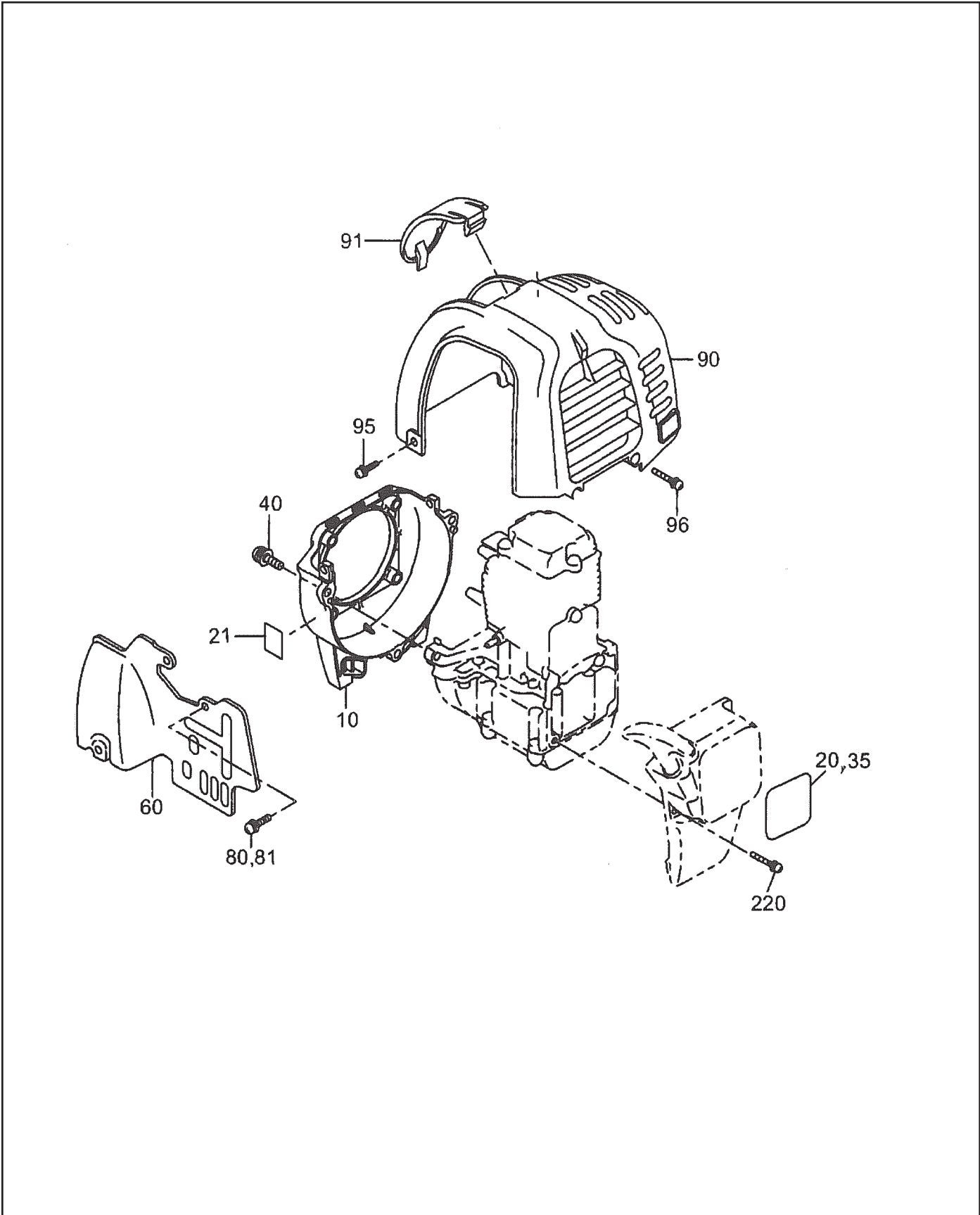


FIG. 6 COOLING and STARTING

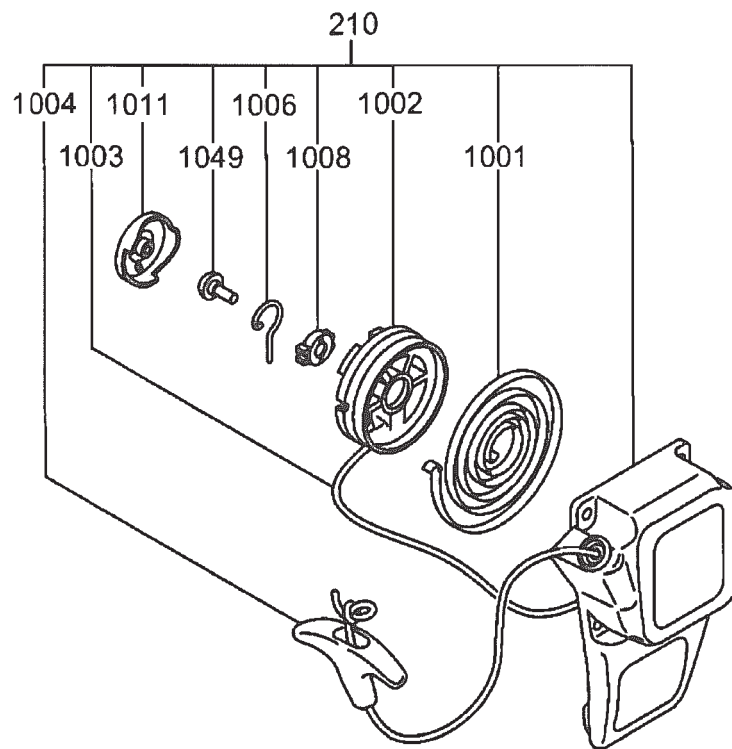


FIG. 7 FUEL, LUBRICANT

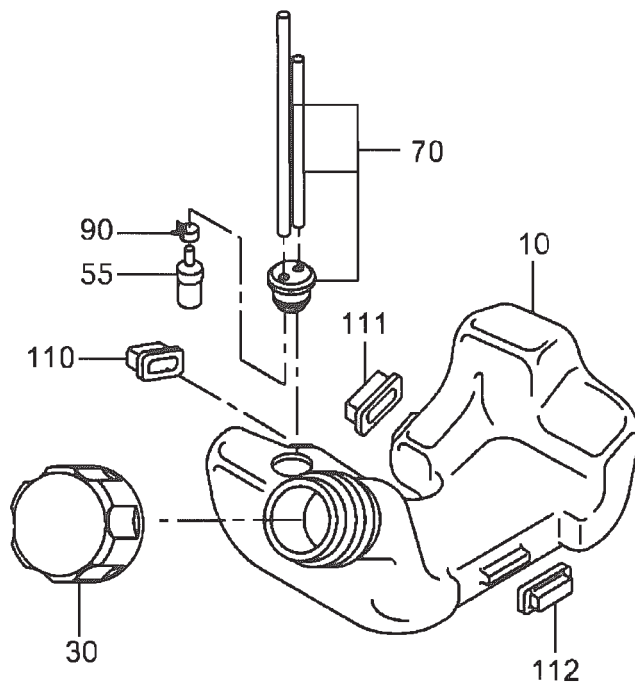


FIG. 7 FUEL, LUBRICANT

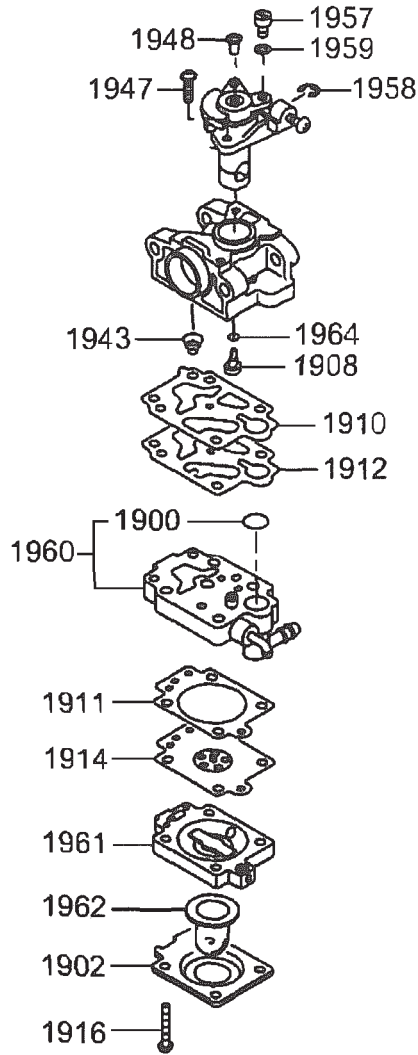


FIG. 8 ELECTRIC DEVICE

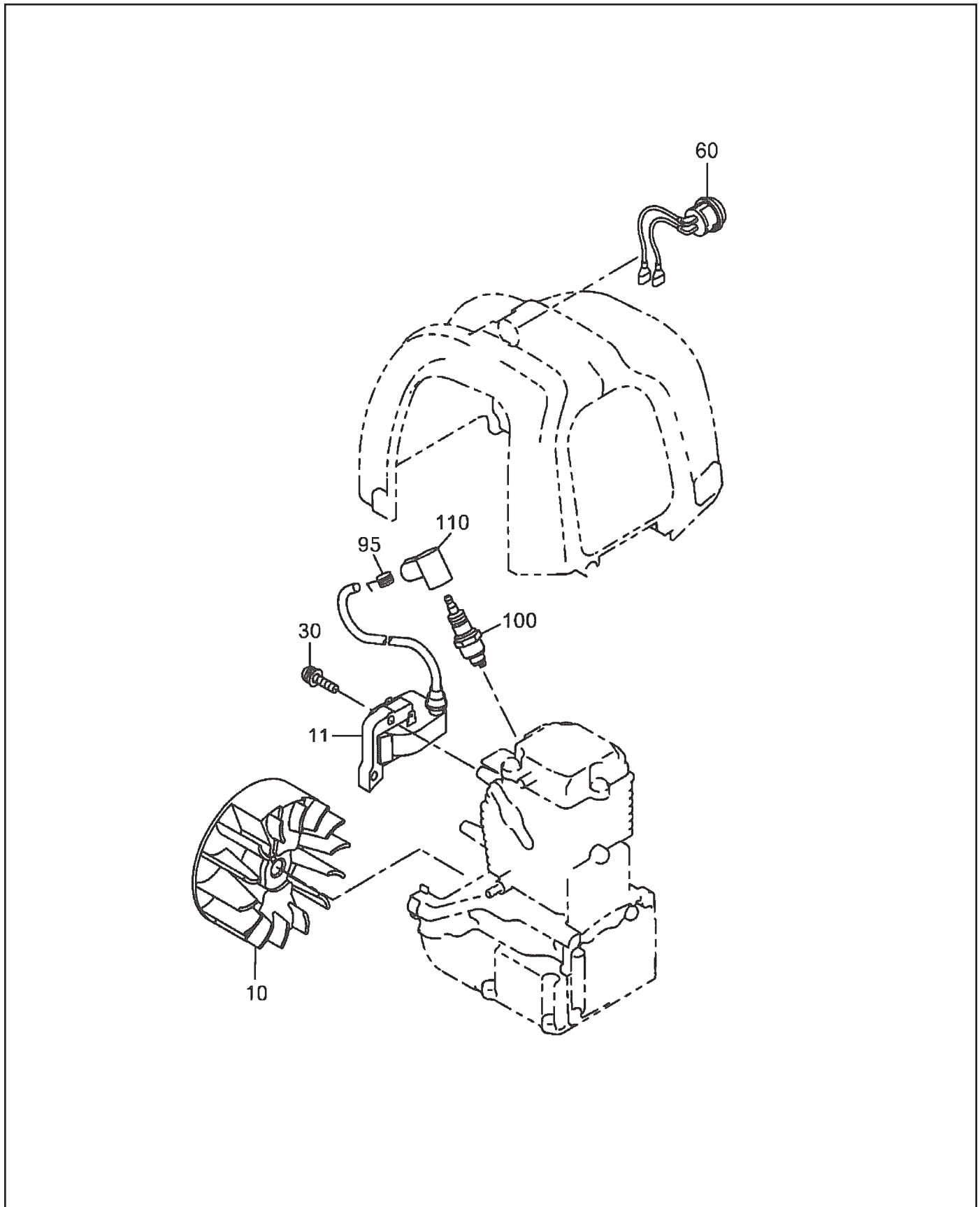
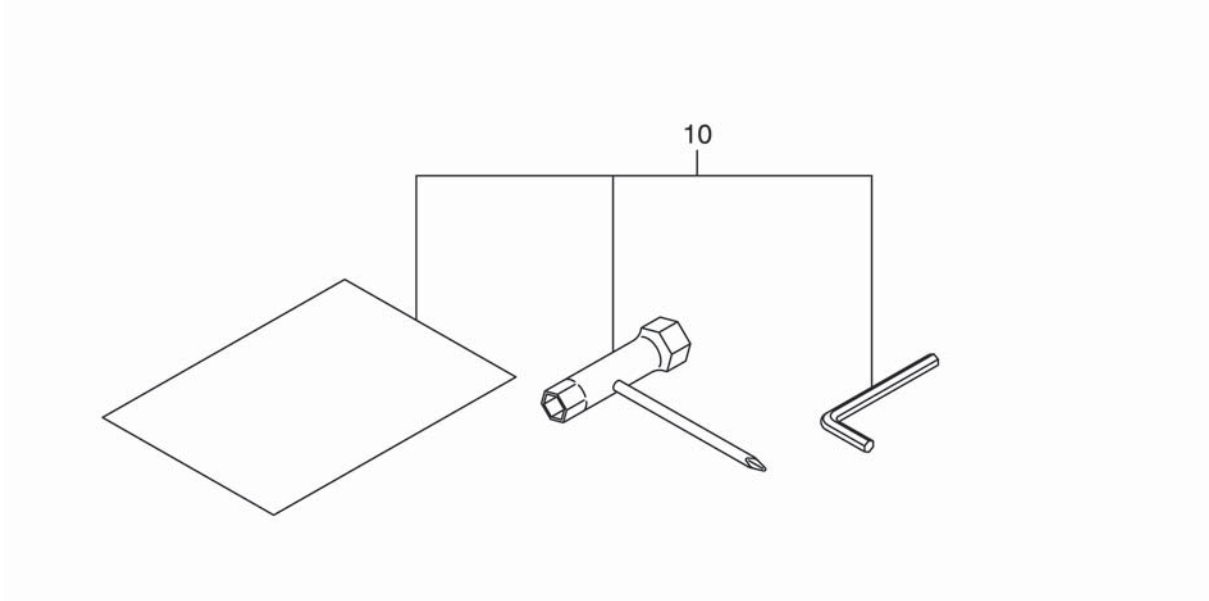


FIG. 9 ACCESSORIES, LABEL



PRINTED IN THE USA