

**Robin Industrial Engines®**

# **PARTS MANUAL**

**Model**

**PKX201T**

**PUMP**

PUB-PP5879

Rev. 07/03

**Robin**  
**SUBARU**

# **Robin America, Inc.**

940 Lively Blvd. • Wood Dale, IL 60191 • Phone: 630-350-8200 • Fax: 630-350-8212  
e-mail: [sales@robinamerica.com](mailto:sales@robinamerica.com) • [www.robinamerica.com](http://www.robinamerica.com)

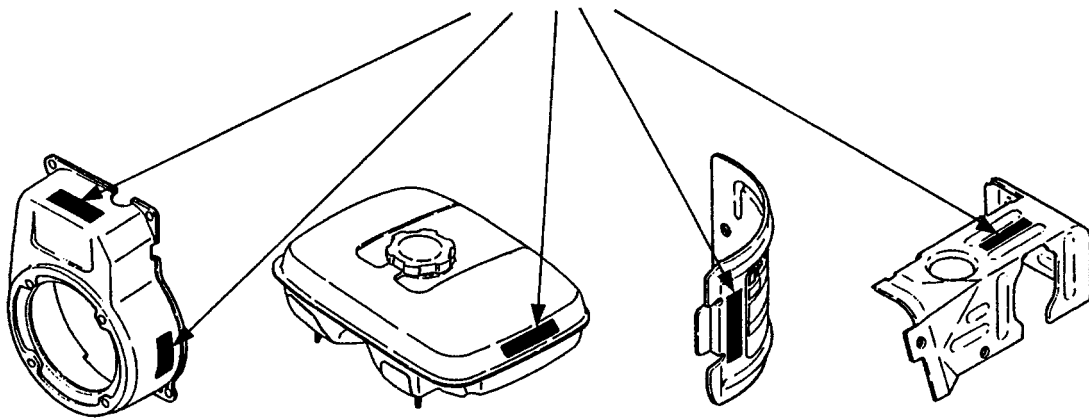
© Copyright 2003 Robin America, Inc.

## HOW TO USE THIS MANUAL

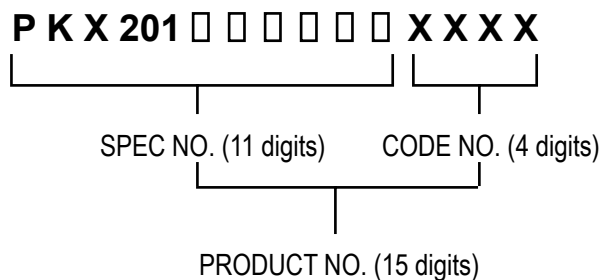
Robin engines are identified by MODEL, SPECIFICATION, and CODE NUMBER. For each model there may be many different versions called specifications. Each specification will be unique in some way. The difference may only be the paint color or it may have a different type of PTO or some other significant difference.

In order to identify the correct service part number, it is important to confirm the specification and code numbers for your engine. The specification and code number together are known as the PRODUCT NUMBER.

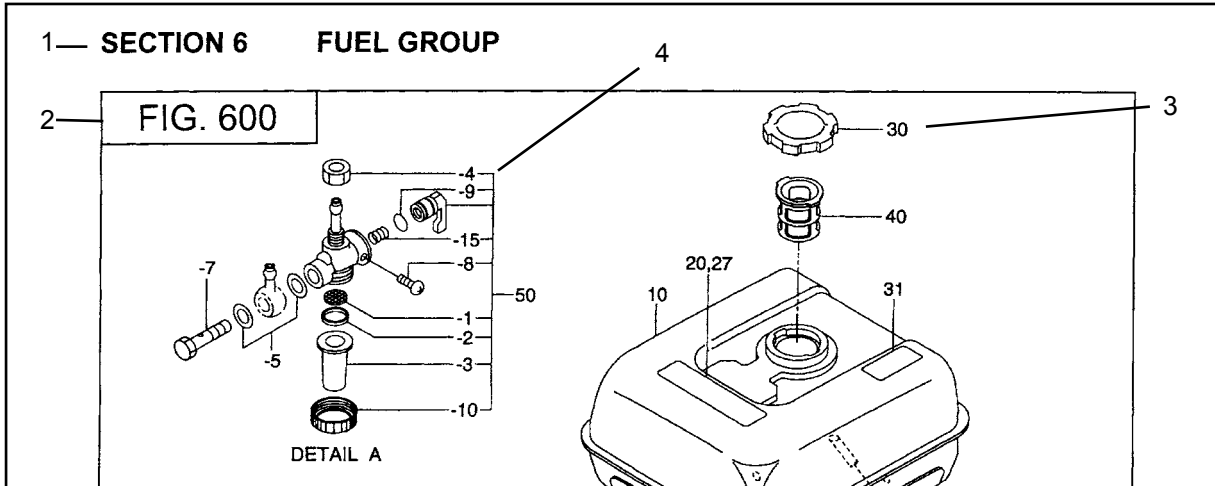
All Robin 4 cycle engines have a Product Number label similar to the label illustrated below.



The Product Number Label has a 15 digit alphanumeric string that consists of the SPECIFICATION (SPEC) number (11 digits) and the CODE number (4 digits). Please note the illustration below:



# MANUAL LAYOUT



REF.	PART NO.	DESCRIPTION	QTY.	REMARKS	FROM-TO	FIG.
10	267-60103-01	FUEL TANK CP	1	YD, YS TYPE, BLACK		600
	267-60101-01	FUEL TANK CP	1	YELLOW		600
27	073-20039-00	LABEL, WARNING	1	YD, YS TYPE		600
30	043-04300-15	FUEL TANK CAP CP	1			600
31	267-95201-03	LABEL, EMISSION	1	YD, YS TYPE		600
40	064-13600-10	FUEL FILTER	1			600
50	064-20021-01	FUEL STRAINER AY	1			600
-1	064-20002-20	FILTER	1			600
-2	064-20002-30	GASKET	1			600
-3	064-20019-10	CUP	1			600

1. SECTION NAME Parts are broadly classified according to their functions. Refer to the Group Index (table of contents) for respective section name.
2. FIG. No. The FIG. number indexes the reference and part numbers to the illustration. Figure numbers that vary only in the tens place (i.e.: 700 and 710) are in a group of the same section (i.e.:Electrical Device Group).
3. REF. No. The Reference number identifies the part illustration with the corresponding part number in the part list.
4. SUBASSEMBLY SUBASSEMBLY parts of part assembly are listed below the assembly part. The subassembly part reference number is indicated by the number led by "-" such as "-1", "-2".
5. PART NUMBER It is the number assigned for sales unit. Use the PART No. when making an order.
6. DESCRIPTION It is designation of the part.
7. QTY. Quantity of each part used for each product.
8. REMARKS This gives a distinctive feature and/or a supplementary comment for the type, the specification, and the part concerned. It also shows part number(s) interchangeable for the part.
9. FROM-TO This section shows the CODE No. to indicate the history of progress in which improved parts have been introduced in the product. The FROM-TO CODE No. helps to identify PART No. being employed in the product concerned. See the examples below:
  - The part is used in the product irrespective of CODE No.
  - 2101- The part is used in the products with CODE No. of 2101 and after this number.
  - 2100 The part is used in the products with CODE No. of 2100 and before this number.

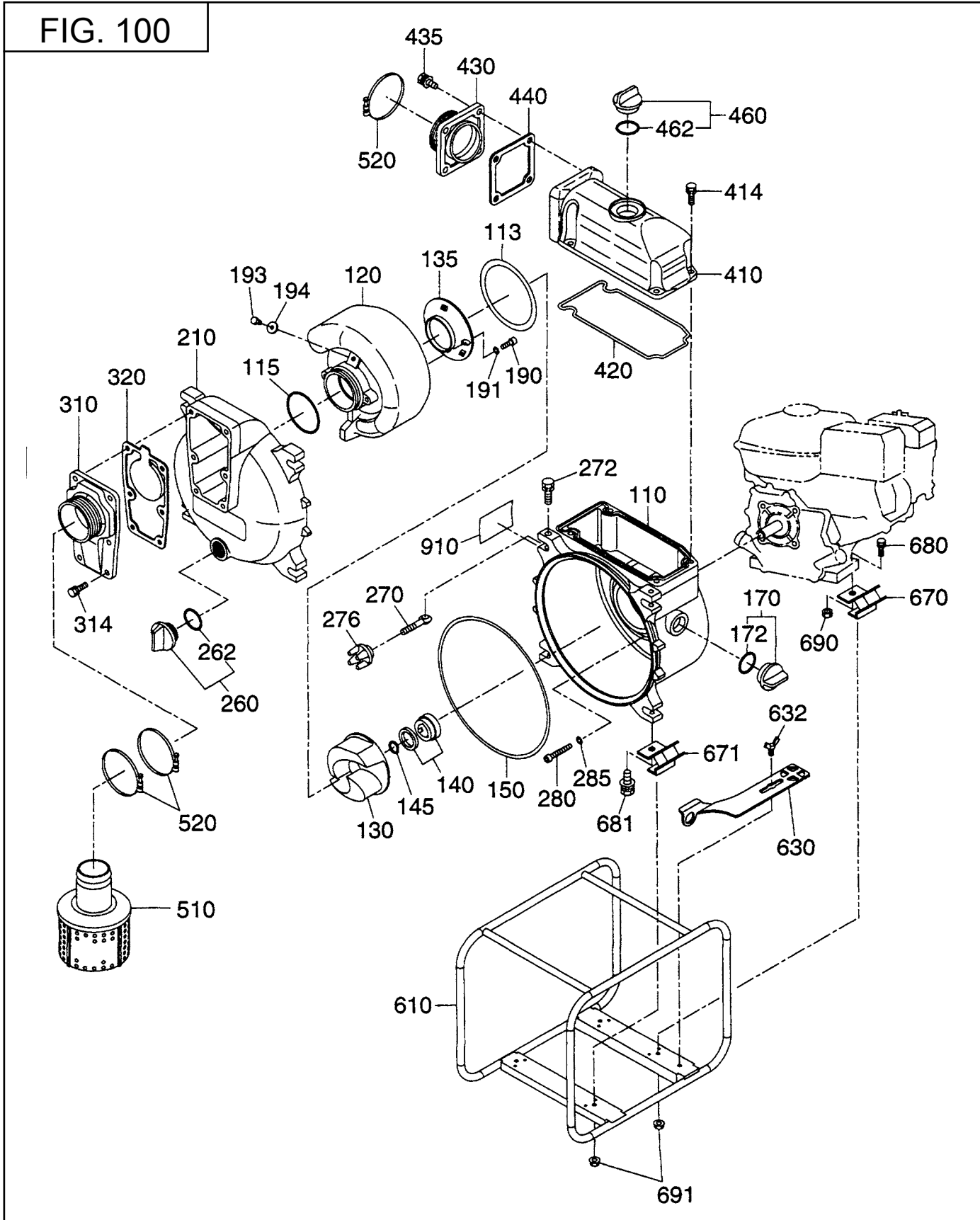
# GROUP INDEX

Group Name	Page
PUMP .....	6
CRANKCASE GROUP .....	8
CRANKSHAFT GROUP .....	10
INTAKE and EXHAUST GROUP .....	12
GOVERNOR GROUP .....	16
COOLING and STARTING GROUP .....	18
FUEL, LUBRICANT GROUP .....	20
CARBURETOR GROUP .....	22
ELECTRIC DEVICE GROUP .....	24
ACCESSORY GROUP .....	26

INDEX OF DESCRIPTION SYMBOLS			
SYMBOL	DESCRIPTION	SYMBOL	DESCRIPTION
AY .....	ASSEMBLY	P= .....	PITCH (in mm)
CP .....	COMPLETE	P.T.O. (PTO) .....	POWER TAKE OFF
EX .....	EXPORT (from Japan)	REF .....	REFERENCE
FIG .....	FIGURE	R.H. (RH) .....	RIGHT HAND SIDE
FR .....	FRONT	RR .....	REAR
" .....	INCH	STD. ....	STANDARD
INCL. ....	INCLUDE	SW .....	SWITCH
~L .....	LITER	T= .....	THICKNESS (in mm)
L= .....	LENGTH (in. mm)	UN .....	UNIT
L.H. (LH) .....	LEFT-HAND SIDE	U.S. ....	UNDER SIZE
MECH .....	MECHANICAL	~V .....	VOLTAGE
NO (NON) .....	NONE	~W .....	WATT
OPT .....	OPTIONAL	W/ .....	WITH
O.S. ....	OVER SIZE	W/O .....	WITHOUT

SECTION 1 PUMP GROUP

FIG. 100

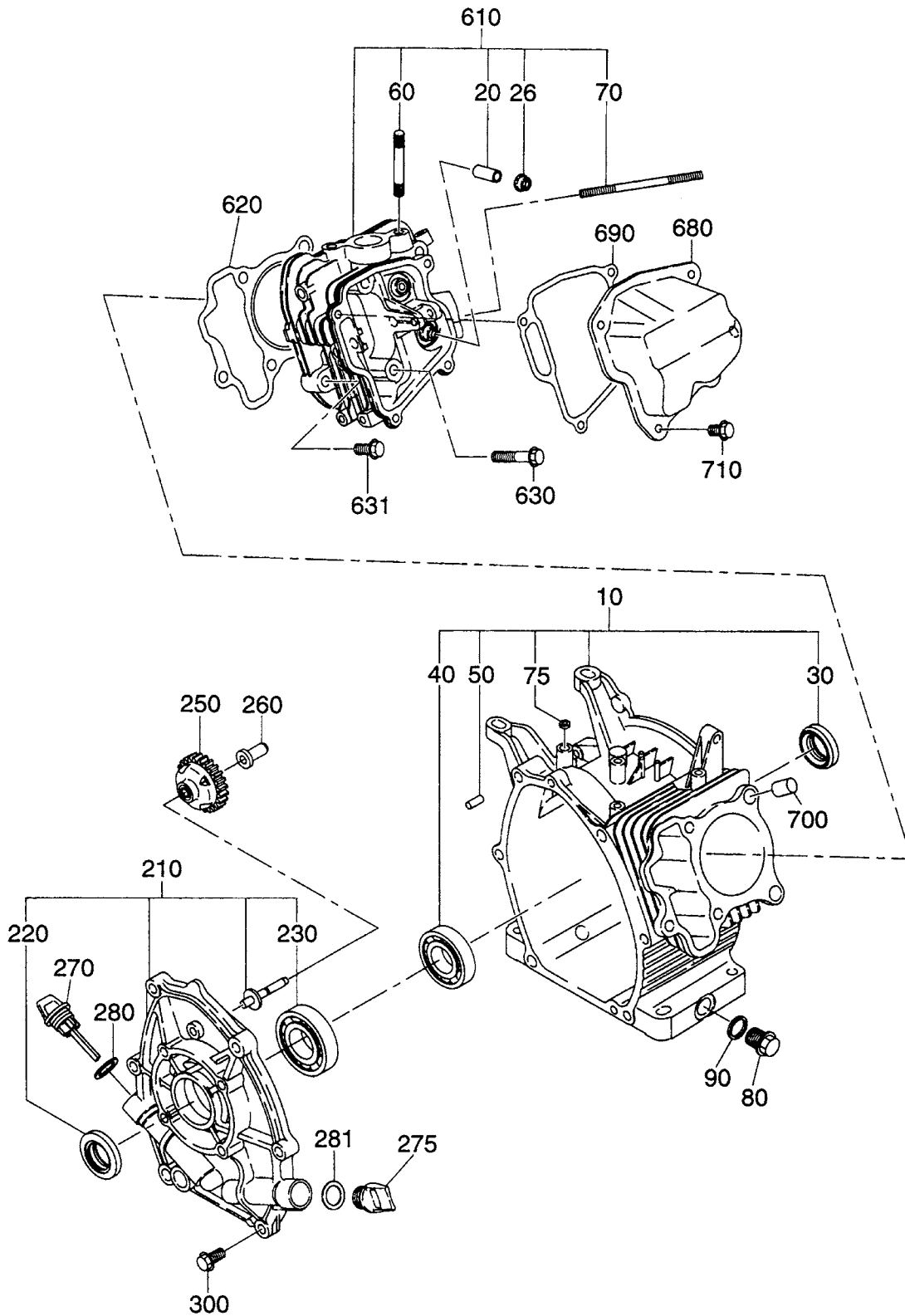


## SECTION 1 PUMP GROUP

REF.	PART NO.	DESCRIPTION	QTY.	REMARKS	FROM-TO	FIG.
110	470-01154-46	CASING	1			100
113	470-01155-78	CASING PACKING	1			100
115	470-01156-76	O RING	1			100
120	470-01161-63	INNER CASING	1			100
130	470-01154-47	IMPELLER	1			100
135	470-01160-85	WEAR PLATE	1			100
140	470-01151-59	MECHANICAL SEAL	1			100
145	470-01104-91	ADJUSTING WASHER	3			100
150	470-01155-79	FRONT COVER PACKING	1			100
170	470-01180-79	PLUG AY	1			100
172	471-00000-09	O RING	1			100
190	471-00000-74	SOCKET BOLT	2			100
191	471-00000-02	SEAL WASHER	2			100
193	471-00000-75	BOLT and WASHER AY	3			100
194	470-01161-73	WASHER	3			100
210	470-01158-82	FRONT COVER	1			100
260	470-01180-78	PLUG AY	1			100
262	471-00000-09	O RING	1			100
270	470-01155-80	COVER BOLT	4			100
272	471-00000-73	BOLT and WASHER AY	4			100
276	470-01155-90	KNOB	4			100
280	470-01165-17	SOCKET BOLT	4			100
285	470-01164-93	WASHER	4			100
310	470-01154-92	SUCTION FLANGE	1			100
314	471-00000-50	BOLT and WASHER AY	6			100
320	470-01157-80	CHECK VALVE	1			100
410	470-01154-45	DELIVERY BODY	1			100
414	471-00000-34	BOLT and WASHER AY	4			100
420	470-01155-48	HEAD PACKING	1			100
430	470-01154-44	DELIVERY FLANGE	1			100
435	471-00000-62	BOLT and WASHER AY	4			100
440	470-01154-90	PACKING, delivery	1			100
460	470-01184-50	PLUG AY	1			100
462	471-00000-20	O RING	1			100
510	470-01109-77	STRAINER	1			100
520	471-00000-31	HOSE BAND	3			100
610	470-01177-19	FRAME	1			100
630	470-01157-78	TOOL	1			100
632	471-00000-79	WING BOLT	1			100
670	470-01161-72	CUSHION RUBBER	1			100
671	470-01156-79	CUSHION RUBBER	2			100
680	471-00000-77	BOLT and WASHER AY	2			100
681	471-00000-73	BOLT and WASHER AY	4			100
690	471-00000-78	FLANGE NUT	2			100
691	471-00000-76	NUT	4			100
910	470-01165-76	LABEL, pump name	1			100

SECTION 2 CRANKCASE GROUP

FIG. 200





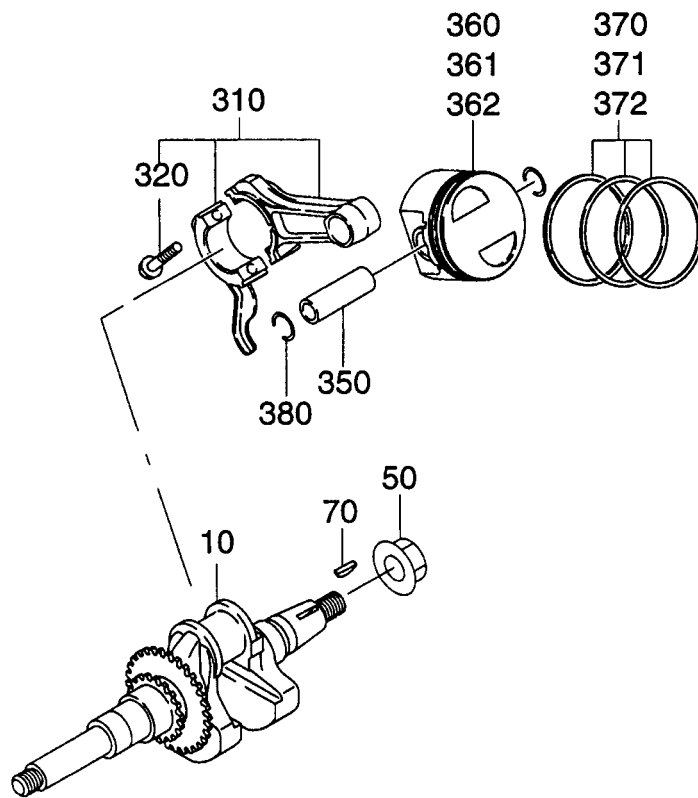
## SECTION 2 CRANKCASE GROUP

REF.	PART NO.	DESCRIPTION	QTY.	REMARKS	FROM-TO	FIG.
10	277-10102-41	CRANKCASE CP	1		5692~	200
	277-10102-31	CRANKCASE CP	1		~5691	200
20	237-14202-03	VALVE GUIDE	2			200
26	277-16010-01	STEM SEAL	1			200
30	044-02502-00	OIL SEAL	1			200
40	060-02800-21	BALL BEARING	1		5692~	200
	060-02800-20	BALL BEARING	1		~5691	200
50	277-15011-03	PIPE KNOCK	2			200
60	010-50802-50	STUD	2			200
70	010-50603-51	STUD	2			200
75	044-00600-20	OIL SEAL	1			200
80	040-11400-30	PLUG	2			200
90	021-11400-20	GASKET	2			200
210	277-11001-31	MAIN BEARING COVER	1		5692~	200
	277-11001-21	MAIN BEARING COVER	1		5753-5691	200
	277-11001-11	MAIN BEARING COVER	1		~5752	200
220	044-02502-10	OIL SEAL	1			200
230	060-02501-40	BALL BEARING	1		5692~	200
	060-02500-10	BALL BEARING	1		~5691	200
250	277-45004-21	GOVERNOR GEAR	1			200
260	263-41901-03	GOVERNOR SLEEVE	1			200
270	277-63601-03	OIL GAUGE	1			200
275	277-65001-03	FILLER PLUG	1			200
280	021-31600-20	GASKET	1			200
281	021-31600-20	GASKET	1			200
300	001-04083-50	FLANGE BOLT	6			200
610	277-13001-01	CYLINDER HEAD CP	1			200
620	277-15001-13	GASKET, head	1			200
630	011-00802-40	FLANGE BOLT	4			200
631	001-04083-50	FLANGE BOLT	1			200
680	277-15501-01	ROCKER COVER	1			200
690	277-16001-03	GASKET, rocker cover	1			200
700	277-15011-03	PIPE KNOCK	2			200
710	011-00600-20	FLANGE BOLT	4			200
960	277-99001-07	GASKET SET	1			200

Gasket Sets include the following:  
Fig. 300 items 90, 280, 620 and 690  
Fig. 500 items 340 and 550

SECTION 3 CRANKSHAFT GROUP

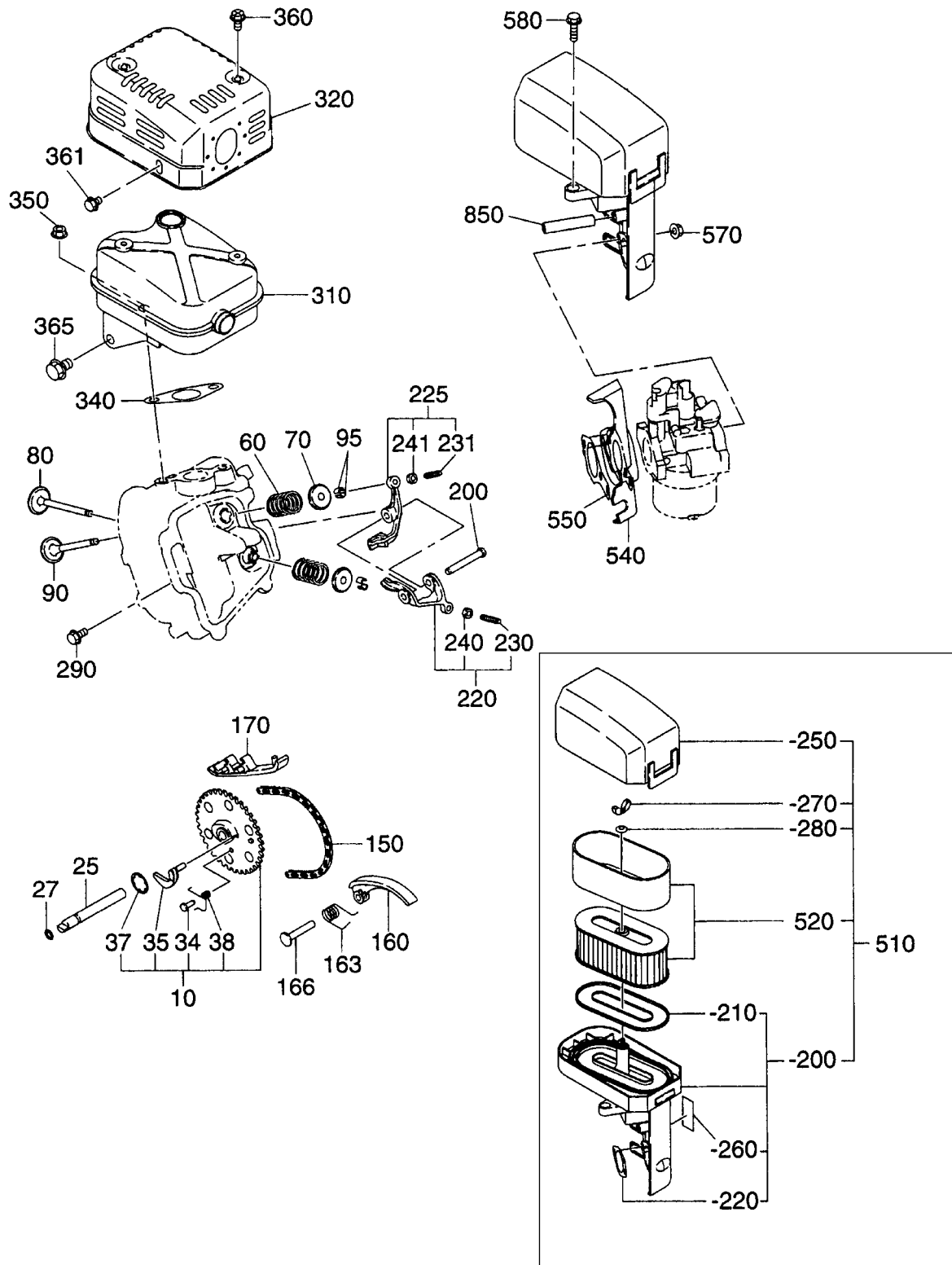
FIG. 300





SECTION 4 INTAKE and EXHAUST GROUP

FIG. 400

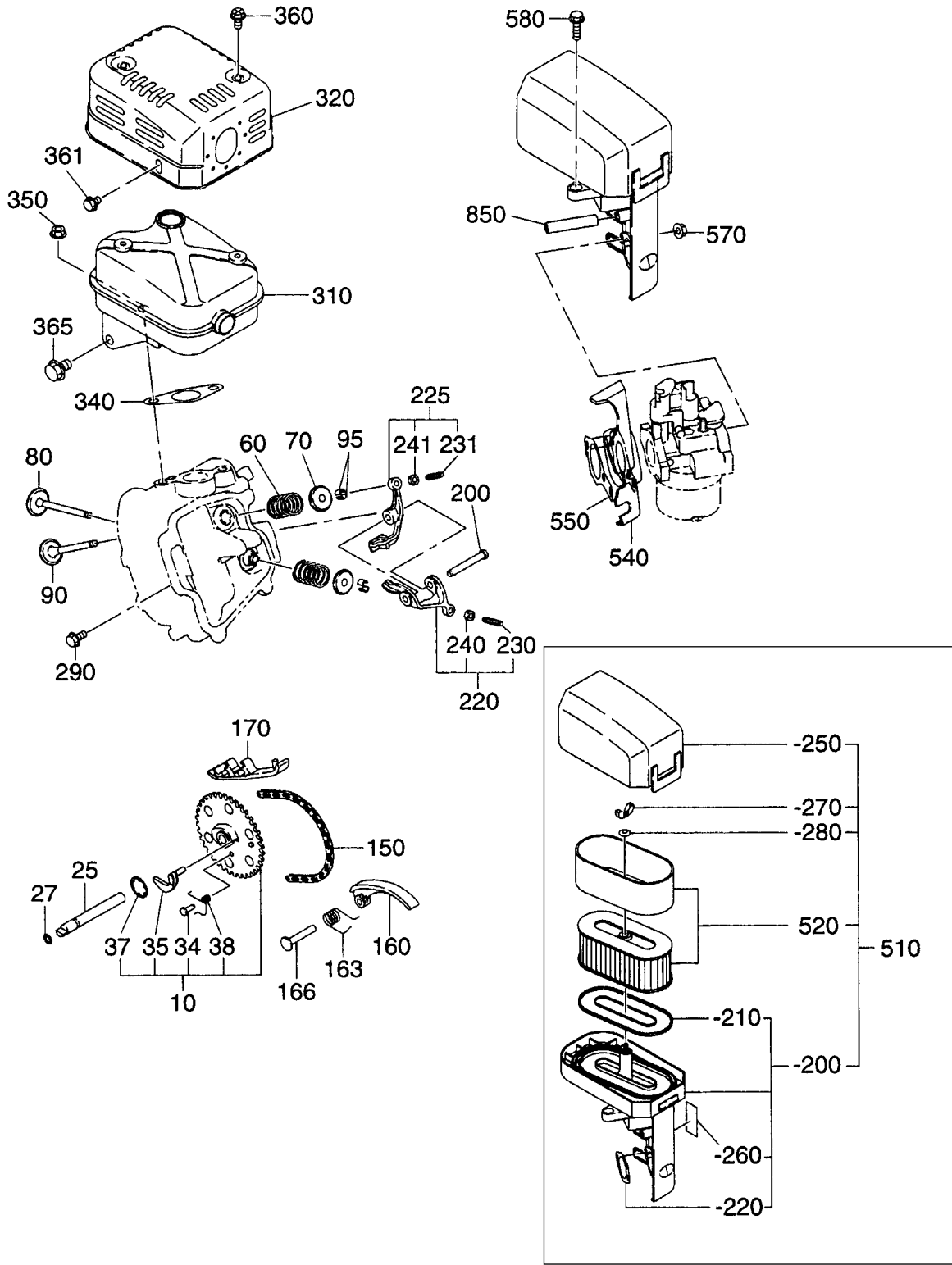


## SECTION 4 INTAKE and EXHAUST GROUP

REF.	PART NO.	DESCRIPTION	QTY.	REMARKS	FROM-TO	FIG.
10	277-31601-01	CAMSHAFT	1			400
25	277-35101-03	PIN, camshaft	1			400
27	024-00600-10	O RING	1			400
34	277-38601-03	PIN, spring	1			400
35	277-36401-03	RELEASE LEVER	1			400
37	277-36501-03	CLIP	1			400
38	277-38701-03	RETURN SPRING	1			400
60	279-33601-03	VALVE SPRING	2			400
70	269-33701-03	SPRING RETAINER	2			400
80	277-33401-13	INTAKE VALVE	1			400
90	277-33501-13	EXHAUST VALVE	1			400
95	132-10KA0-31	COLLET VALVE	4			400
150	277-35601-01	TIMING CHAIN	1			400
160	277-36911-03	TENTIONER	1			400
163	277-37101-03	SPRING, tentioner	1			400
166	277-36902-03	PIN, tentioner	1			400
170	277-36913-13	CHAIN GUIDE	1			400
200	277-35001-23	PIN, rocker	1		5692~	400
	277-35001-13	PIN, rocker	1		~5691	400
220	277-36101-00	ROCKER ARM, intake	1			400
225	277-36102-00	ROCKER ARM, exhaust	1			400
230	014-90500-10	ADJUST SCREW	1			400
231	014-90500-10	ADJUST SCREW	1			400
240	017-00500-20	NUT	1			400
241	017-00500-20	NUT	1			400
290	011-00600-20	FLANGE BOLT	1			400
310	277-30101-11	MUFFLER CP	1			400
320	277-34201-11	UFFLER COVER	1		5753~	400
	277-34201-01	MUFFLER COVER	1		~5752	400
340	277-35201-03	GASKET, muffler	1			400
350	980-20082-80	FLANGE NUT	2			400
360	015-20600-90	TAPPING BOLT	2			400
361	011-00600-10	FLANGE BOLT	1			400
365	011-00801-50	FLANGE BOLT	1			400
510	277-32612-00	AIR CLEANER AY	1			400
-200	277-32605-08	BASE CP	1			400
-210	277-32610-08	PACKING	1			400
-220	277-32604-08	PACKING	1			400
-250	277-32602-08	COVER CP	1			400
-260	277-32609-08	LABEL	1			400
-270	277-32607-08	WING NUT	1			400
-280	277-32608-08	WASHER	1			400
520	277-32611-07	ELEMENT SET	1			400
540	277-32901-13	INSULATOR	1			400
550	277-35901-13	GASKET, insulator	1			400
570	002-38060-00	FLANGE NUT	2			400

SECTION 4 INTAKE and EXHAUST GROUP

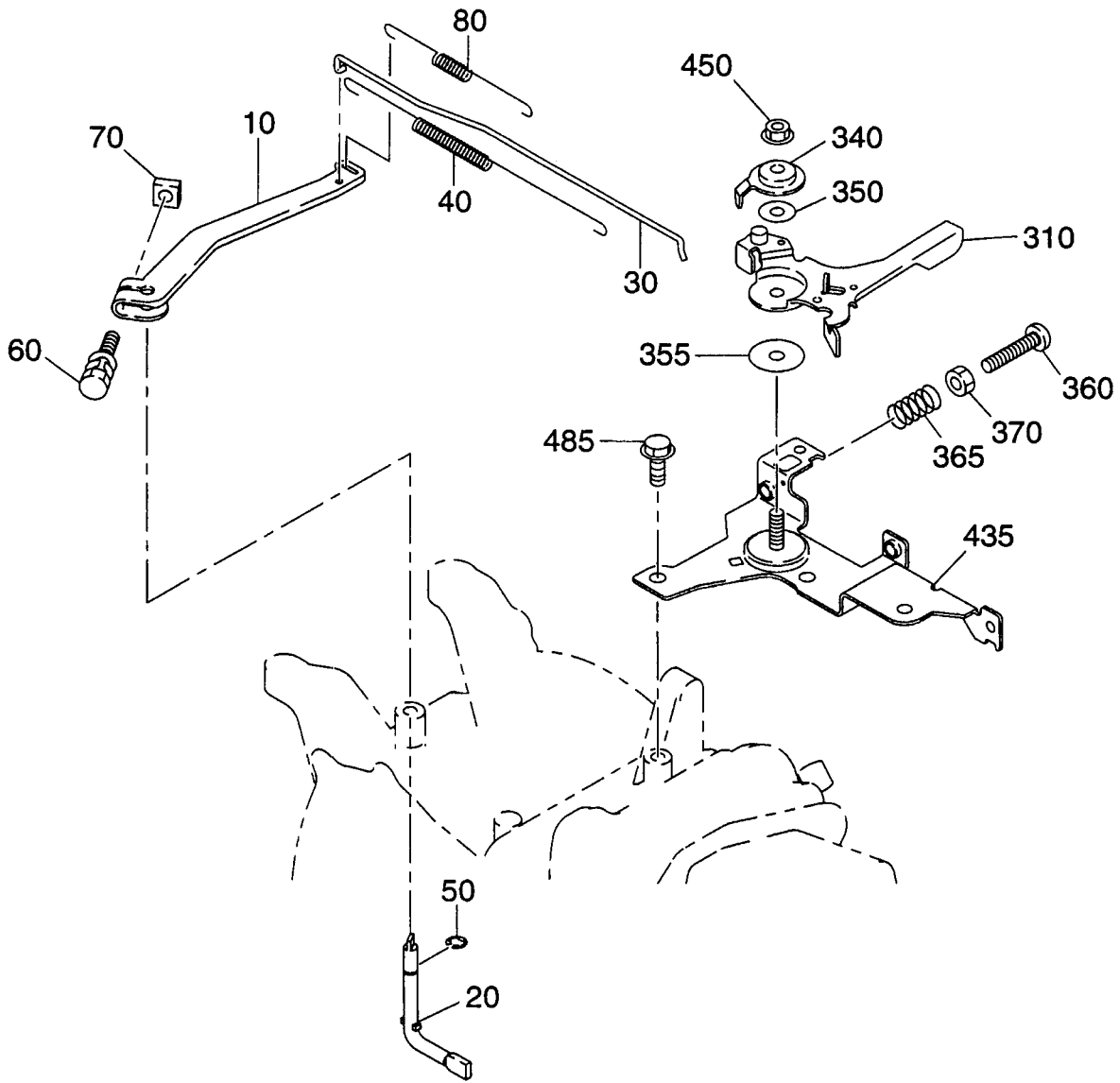
FIG. 400





SECTION 5 GOVERNOR GROUP

FIG. 500

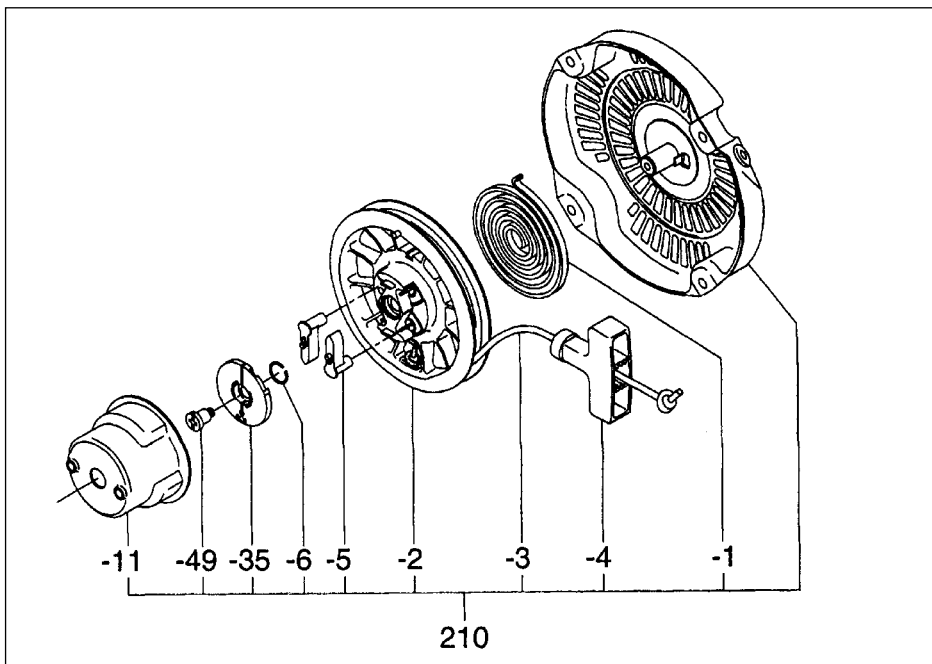
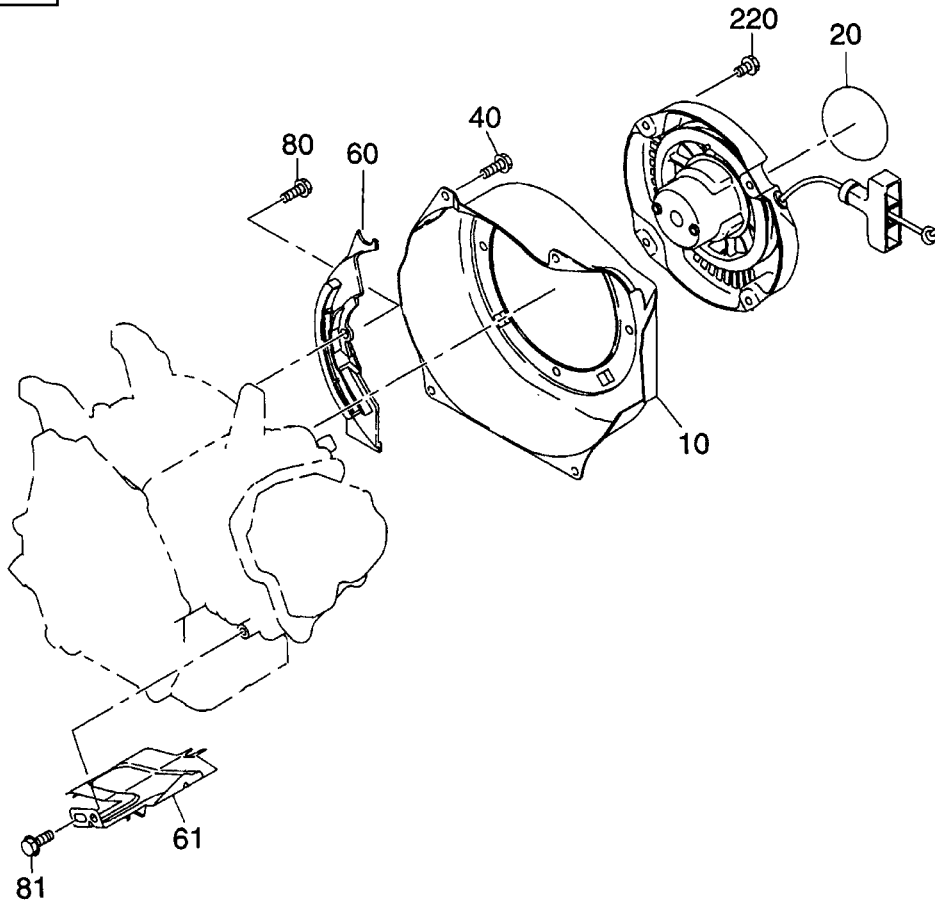






SECTION 6 COOLING and STARTING GROUP

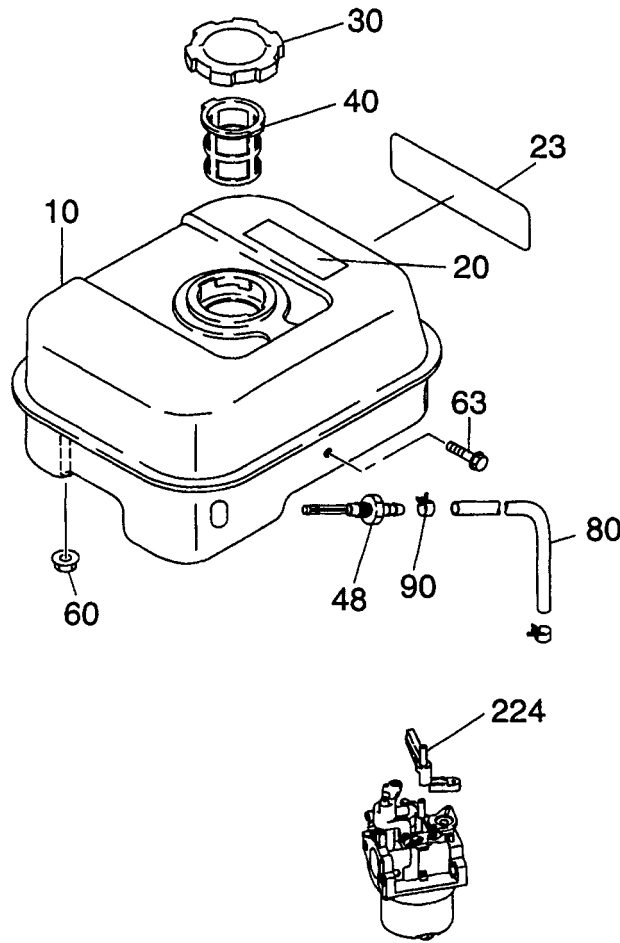
FIG. 600





SECTION 7 FUEL, LUBRICATION GROUP

FIG. 700

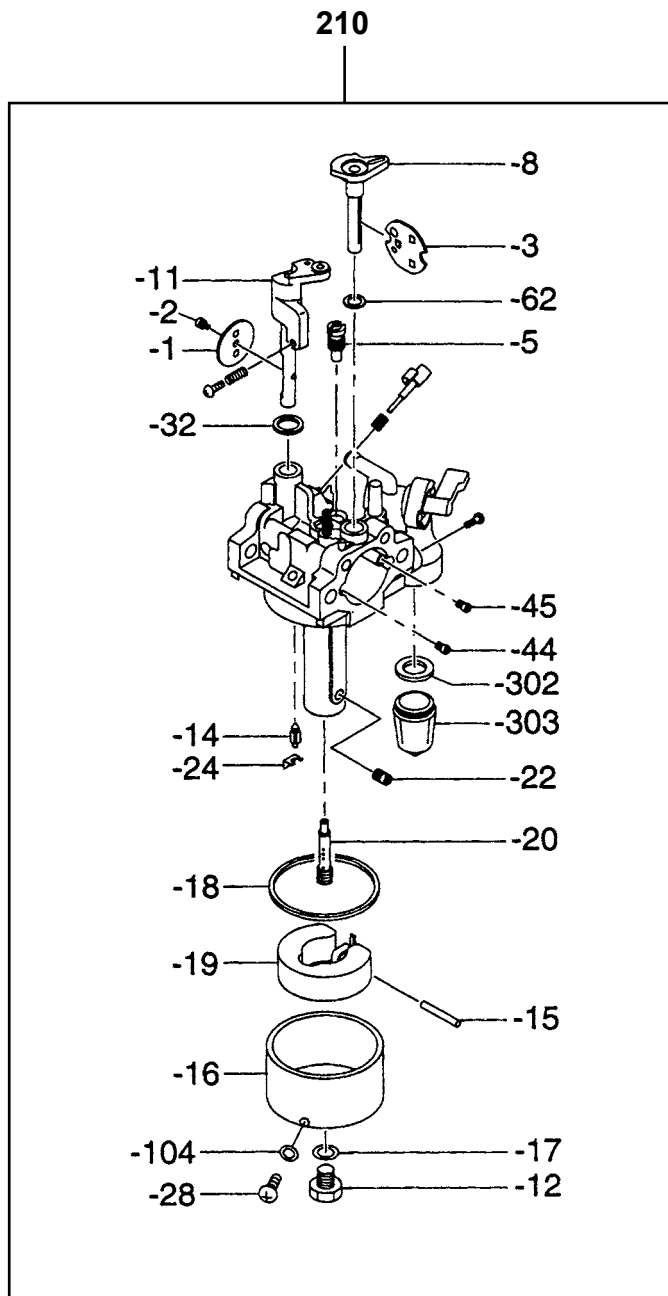


**SECTION 7        FUEL, LUBRICATION GROUP**

REF.	PART NO.	DESCRIPTION	QTY.	REMARKS	FROM-TO	FIG.
10	277-60101-01	FUEL TANK	1			700
20	073-20051-80	LABEL, warning	1			700
23	277-95101-03	LABEL, model	1			700
30	043-04400-50	FUEL TANK CAP	1			700
40	064-13600-10	FUEL FILTER	1			700
48	050-51200-20	UNION	1			700
60	002-38060-00	FLANGE NUT	2			700
63	011-00601-30	FLANGE BOLT	1			700
80	085-10600-00	RUBBER PIPE	1			700
90	056-11000-30	HOSE CLAMP	2			700
224	277-43801-01	CHOKE LEVER CP	1			700

SECTION 7 FUEL, LUBRICATION GROUP

FIG. 710

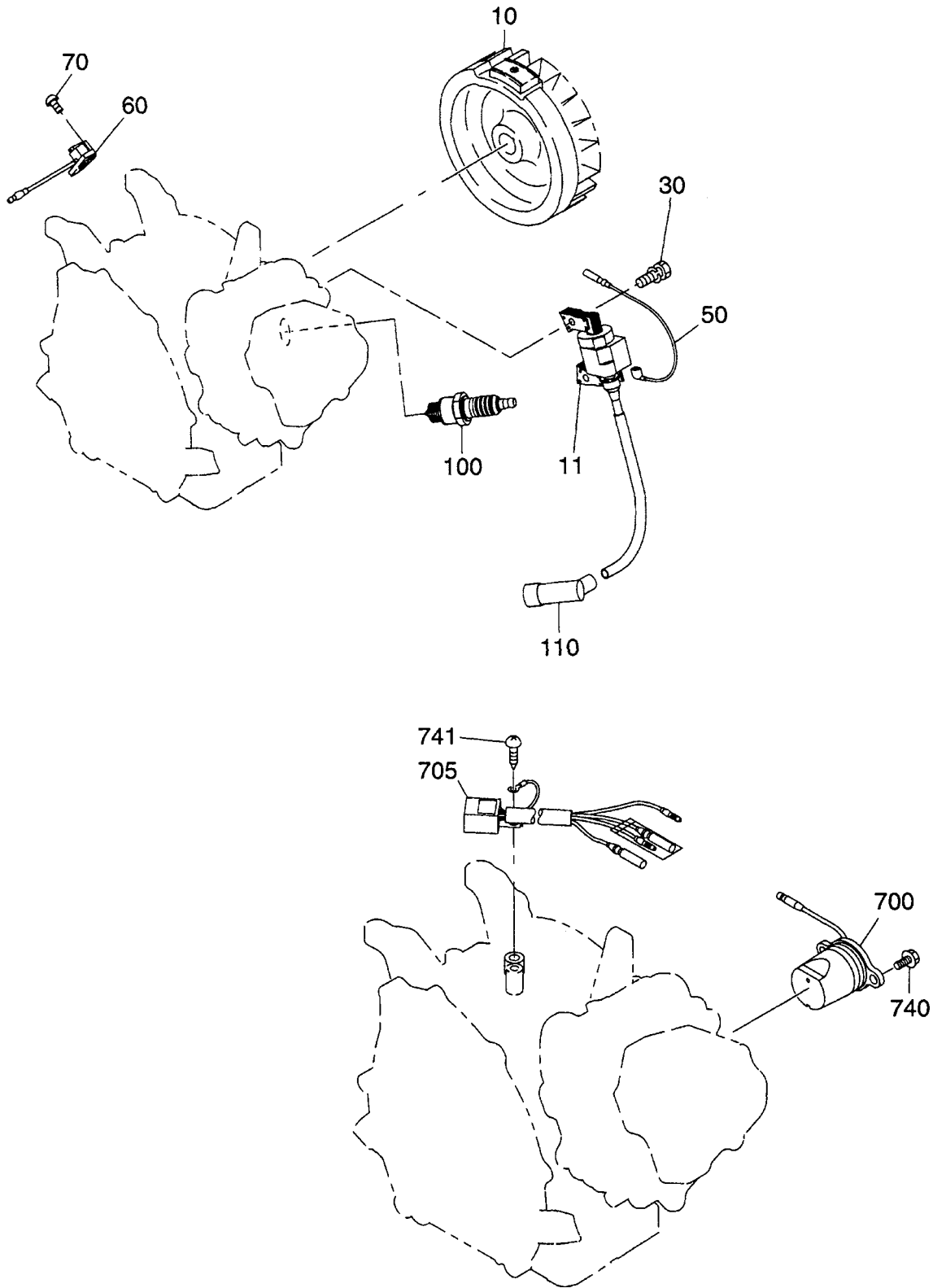


# SECTION 7 FUEL, LUBRICATION GROUP

REF.	PART NO.	DESCRIPTION	QTY.	REMARKS	FROM-TO	FIG.
210	277-62302-10	CARBURETOR	1			610
-1	277-62535-08	THROTTLE VALVE	1	#160		610
-2	209-62351-08	SCREW	1			610
-3	277-62525-08	CHOKE VALVE	1			610
-5	246-62420-08	PILOT JET	1	#40		610
-8	277-62520-08	CHOKE LEVER	1			610
-11	277-62531-08	THROTTLE SHAFT	1			610
-12	277-62451-08	BOLT	1			610
-14	277-62500-08	NEEDLE	1			610
-15	277-62515-08	PIN	1			610
-16	277-62506-08	FLOAT BODY	1			610
-17	214-62450-08	PACKING	1			610
-18	214-62540-08	CHAMBER PACKING	1			610
-19	226-62506-08	FLOAT AY	1			610
-20	277-62440-08	MAIN NOZZLE	1			610
-22	226-62412-08	MAIN JET	1			610
-24	226-62701-18	CLIP	1			610
-28	277-62360-08	BOLT	1			610
-32	246-62390-08	SEAL	1			610
-44	248-62410-08	AIR JET	1			610
-45	106-62410-08	AIR JET, pilot	1			610
-62	236-62680-08	SEAL	1			610
-104	236-62541-08	PACKING	1			610
-302	064-20064-10	PACKING	1			610
-303	064-20078-10	CUP	1			610

SECTION 8 ELECTRIC DEVICE GROUP

FIG. 800

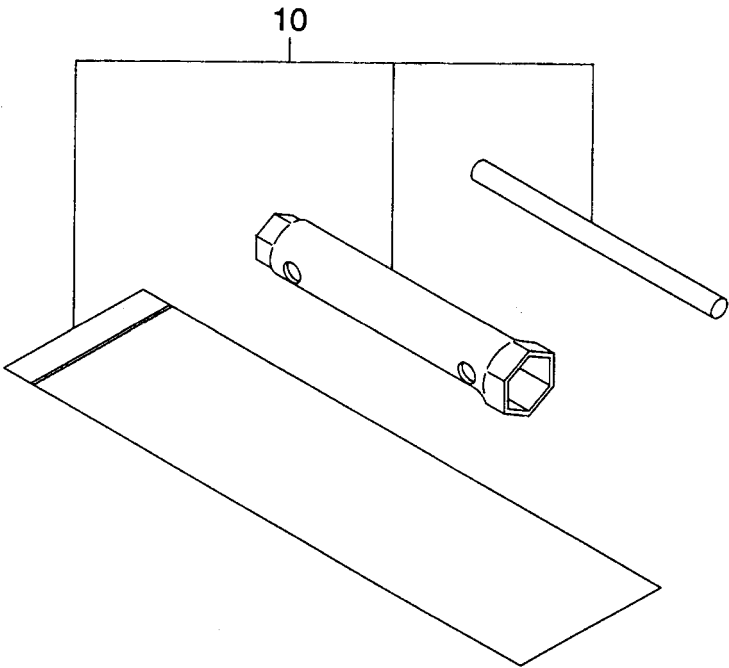






SECTION 9 ACCESSORY GROUP

FIG. 900





PRINTED IN THE USA