

PARTS MANUAL

MODEL
PKX220

PKX22000350

04/15



SUBARU

Industrial Power Products

Subaru Industrial Power Products

905 Telser Road - Lake Zurich, IL 60047 - Phone 847-540-7300 - Fax 847-438-5012

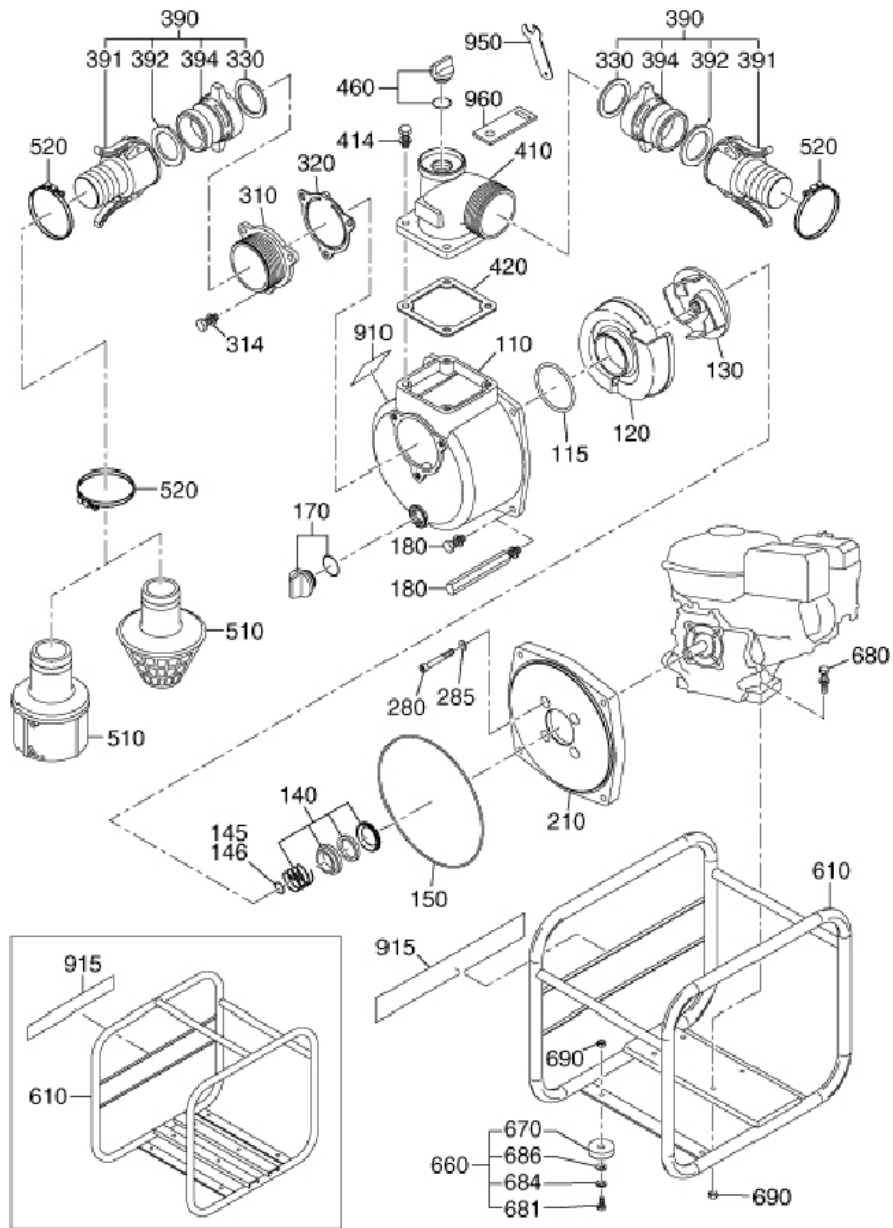
e-mail: sales@subarupower.com - www.subarupower.com

© 2012 Subaru Industrial Power Products

Group Index

Group Name	Page
4200.....	4
Part Number Index.....	6
Part Description Index.....	7

4200



475420002W00

4200

Ref	Part Number.	Description	Qty	Remark
110	470-01215-44	CASING	1	
115	470-01127-92	O RING	1	
120	470-01209-33	INNER CASING	1	
130	470-01209-62	IMPELLER	1	
140	470-01106-88	MECHANICAL SEAL	1	
145	470-01104-66	ADJUSTING WASHER	1	
146	470-01215-62	ADJUSTING WASHER	1	
150	470-01150-14	O RING	1	
170	470-01180-78	PLUG AY	1	
180	471-00000-62	BOLT & WASHER AY	4	
210	470-01125-79	FLANGE BRACKET	1	
280	471-00000-03	SOCKET BOLT	4	
285	471-00000-02	SEAL WASHER	4	
310	470-01128-22	SUCTION FLANGE	1	
314	471-00000-64	BOLT & WASHER AY	3	
320	470-01126-65	CHECK VALVE	1	
410	470-01158-61	DELIVERY FLANGE	1	
414	471-00000-72	BOLT & WASHER AY	4	
420	470-01105-41	PACKING, DELIVERY	1	
460	470-01180-78	PLUG AY	1	
510	470-01181-59	STRAINER	1	
520	471-00000-01	HOSE BAND	3	
610	470-01283-96	FRAME	1	
670	470-01105-15	CUSHION RUBBER	4	
680	471-00000-70	BOLT & WASHER AY	4	
681	471-00000-71	BOLT & WASHER AY	4	
684	471-00000-68	SPRING WASHER	4	
686	471-00000-66	WASHER	4	
690	471-00000-57	NUT	8	
910	470-01216-70	LABEL(PUMP NAME)	1	

Part Number Index

The Part Number Index is a numeric index of all part numbers included in this manual. The index shows what page(s) the part is used on.

Part Number	Page
470-01104-66	5
470-01105-15	5
470-01105-41	5
470-01106-88	5
470-01125-79	5
470-01126-65	5
470-01127-92	5
470-01128-22	5
470-01150-14	5
470-01158-61	5
470-01180-78	5
470-01181-59	5
470-01209-33	5
470-01209-62	5
470-01215-44	5
470-01215-62	5
470-01216-70	5
470-01283-96	5
471-00000-01	5
471-00000-02	5
471-00000-03	5
471-00000-57	5
471-00000-62	5
471-00000-64	5
471-00000-66	5
471-00000-68	5
471-00000-70	5
471-00000-71	5
471-00000-72	5

Part Description Index

The Part Description Index is an alphabetical index of all part descriptions included in this manual. The index shows what page(s) the part is used on.

A

ADJUSTING WASHER.....5

B

BOLT & WASHER AY.....5

C

CASING.....5

CHECK VALVE.....5

CUSHION RUBBER.....5

D

DELIVERY FLANGE.....5

F

FLANGE BRACKET.....5

FRAME.....5

H

HOSE BAND.....5

I

IMPELLER.....5

INNER CASING.....5

L

LABEL(PUMP NAME).....5

M

MECHANICAL SEAL.....5

N

NUT.....5

O

O RING.....5

P

PACKING, DELIVERY.....5

PLUG AY.....5

S

SEAL WASHER.....5

SOCKET BOLT.....5

SPRING WASHER.....5

STRAINER.....5

SUCTION FLANGE.....5

W

WASHER.....5

PRINTED IN THE USA

Subaru Industrial Power Products

905 Telser Road - Lake Zurich, IL 60047

Phone 847-540-7300 - Fax 847-438-5012

e-mail: sales@subarupower.com - www.subarupower.com