

Robin Industrial Engines®

PARTS MANUAL

Model

PKX401

PUMP

PUB-PP
Rev. 06/02

Robin
SUBARU

Robin America, Inc.

940 Lively Blvd. • Wood Dale, IL 60191 • Phone: 630-350-8200 • Fax: 630-350-8212
e-mail: sales@robinamerica.com • www.robinamerica.com

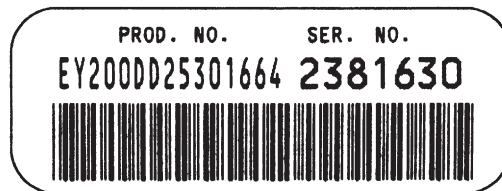
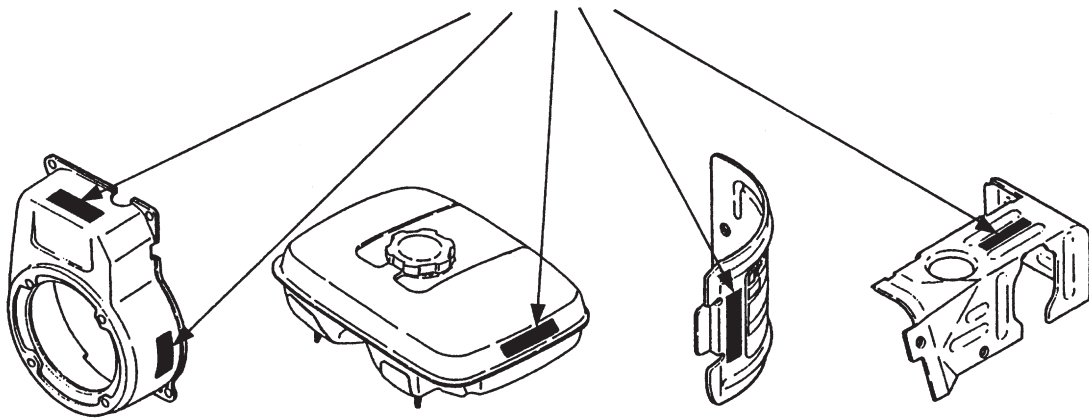
© Copyright 2002 Robin America, Inc.

HOW TO USE THIS MANUAL

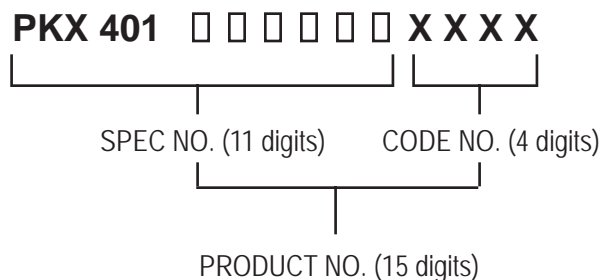
Robin engines are identified by MODEL, SPECIFICATION, and CODE NUMBER. For each model there may be many different versions called specifications. Each specification will be unique in some way. The difference may only be the paint color or it may have a different type of PTO or some other significant difference.

In order to identify the correct service part number, it is important to confirm the specification and code numbers for your engine. The specification and code number together are known as the PRODUCT NUMBER.

All Robin 4 cycle engines have a Product Number label similar to the label illustrated below.



The Product Number Label has a 15 digit alphanumeric string that consists of the SPECIFICATION (SPEC) number (11 digits) and the CODE number (4 digits). Please note the illustration below:



MANUAL LAYOUT

1— SECTION 6 FUEL GROUP

2— FIG. 600

1— SECTION 6 FUEL GROUP

REF.	PART NO.	DESCRIPTION	QTY.	REMARKS	FROM-TO	FIG.
10	267-60103-01	FUEL TANK CP	1	YD, YS TYPE, BLACK		600
	267-60101-01	FUEL TANK CP	1	YELLOW		600
27	073-20039-00	LABEL, WARNING	1	YD, YS TYPE		600
30	043-04300-15	FUEL TANK CAP CP	1			600
31	267-95201-03	LABEL, EMISSION	1	YD, YS TYPE		600
40	064-13600-10	FUEL FILTER	1			600
50	064-20021-01	FUEL STRAINER AY	1			600
-1	064-20002-20	FILTER	1			600
-2	064-20002-30	GASKET	1			600
-3	064-20019-10	CUP	1			600

1. SECTION NAME Parts are broadly classified according to their functions. Refer to the Group Index (table of contents) for respective section name.
2. FIG. No. The FIG. number indexes the reference and part numbers to the illustration. Figure numbers that vary only in the tens place (i.e.: 700 and 710) are in a group of the same section (i.e.:Electrical Device Group).
3. REF. No. The Reference number identifies the part illustration with the corresponding part number in the part list.
4. SUBASSEMBLY SUBASSEMBLY parts of part assembly are listed below the assembly part. The subassembly part reference number is indicated by the number led by "-" such as "-1", "-2".
5. PART NUMBER It is the number assigned for sales unit. Use the PART No. when making an order.
6. DESCRIPTION It is designation of the part.
7. QTY. Quantity of each part used for each product.
8. REMARKS This gives a distinctive feature and/or a supplementary comment for the type, the specification, and the part concerned. It also shows part number(s) interchangeable for the part.
9. FROM-TO This section shows the CODE No. to indicate the history of progress in which improved parts have been introduced in the product. The FROM-TO CODE No. helps to identify PART No. being employed in the product concerned. See the examples below:
 - The part is used in the product irrespective of CODE No.
 - 2101- The part is used in the products with CODE No. of 2101 and after this number.
 - 2100 The part is used in the products with CODE No. of 2100 and before this number.

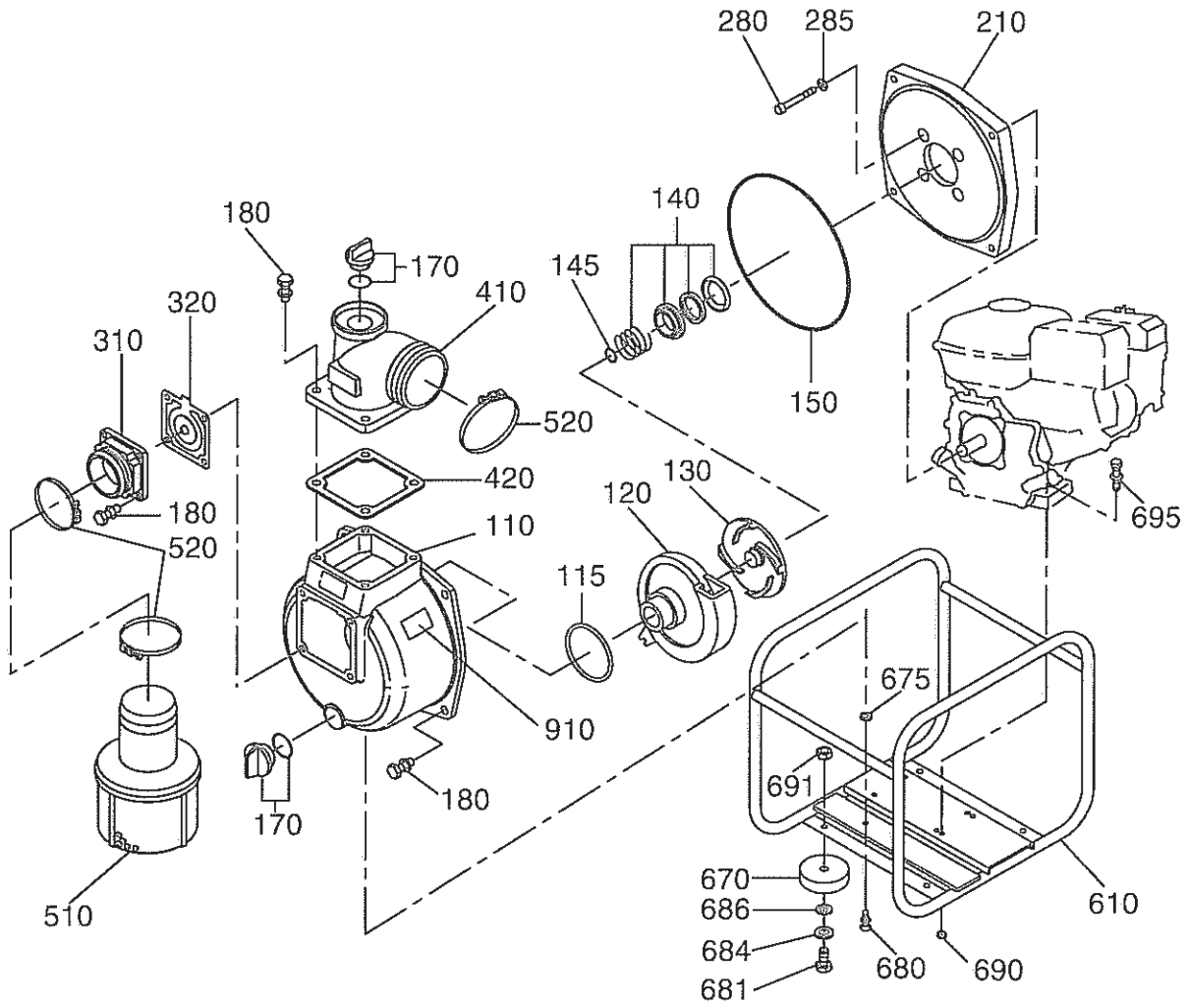
GROUP INDEX

Group Name	Page
PUMP FROUP	6
CRANKCASE GROUP	8
CRANKSHAFT GROUP	10
INTAKE and EXHAUST GROUP	12
GOVERNOR GROUP	16
COOLING and STARTING GROUP	18
FUEL, LUBRICANT GROUP	20
CARBURETOR GROUP	22
ELECTRIC DEVICE GROUP	24
ACCESSORY GROUP	26

INDEX OF DESCRIPTION SYMBOLS			
SYMBOL	DESCRIPTION	SYMBOL	DESCRIPTION
AY	ASSEMBLY	P=	PITCH (in mm)
CP	COMPLETE	P.T.O. (PTO)	POWER TAKE OFF
EX	EXPORT (from Japan)	REF	REFERENCE
FIG	FIGURE	R.H. (RH)	RIGHT HAND SIDE
FR	FRONT	RR	REAR
"	INCH	STD.	STANDARD
INCL.	INCLUDE	SW	SWITCH
-L	LITER	T=	THICKNESS (in mm)
L=	LENGTH (in. mm)	UN	UNIT
L.H. (LH)	LEFT-HAND SIDE	U.S.	UNDER SIZE
MECH	MECHANICAL	~V	VOLTAGE
NO (NON)	NONE	~W	WATT
OPT	OPTIONAL	W/	WITH
O.S.	OVER SIZE	W/O	WITHOUT

SECTION 1 PUMP GROUP

FIG. 100

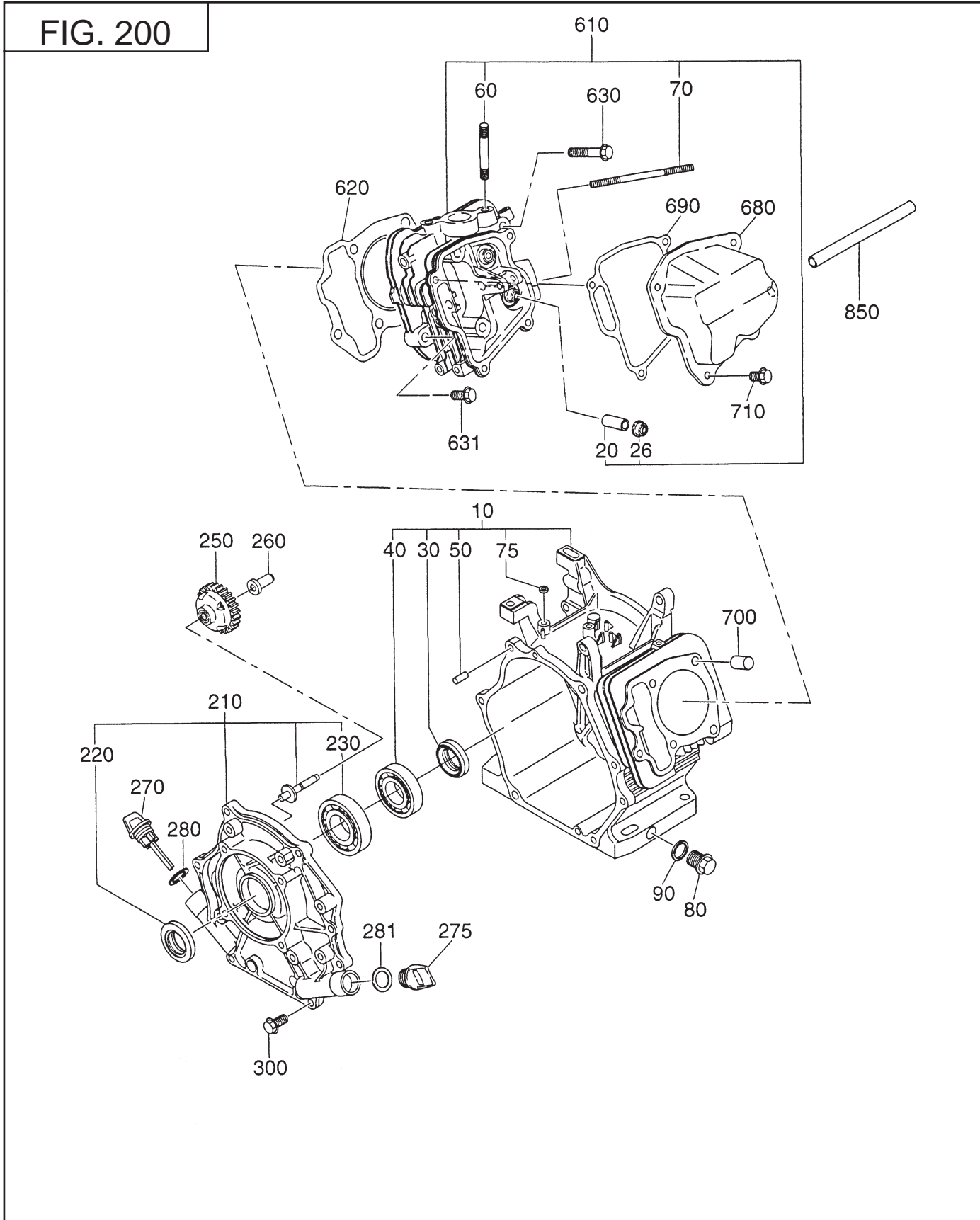


SECTION 1 PUMP GROUP

REF	PART NO	DESCRIPTION	QTY	REMARKS	FROM - TO	FIG
110	470-01165-53	PUMP CASING	1			100
115	471-00000-41	O RING	1			100
120	470-01107-17	VOLUTE CASING	1			100
130	470-01156-64	IMPELLER	1			100
140	470-01157-64	MECHANICAL SEAL	1			100
145	470-01100-81	ADJUSTING WASHER	3			100
150	471-00000-40	O RING	1			100
170	470-01180-79	PLUG AY	2			100
180	471-00000-42	BOLT AND WASHER	12			100
210	470-01157-63	FLANGE BRACKET	1			100
280	471-00000-43	SOCKET BOLT	4			100
285	471-00000-02	SEAL WASHER	4			100
310	470-01113-65	SUCTION OR DELIVERY	1			100
320	470-01173-63	CHECK VALVE	1			100
410	471-01161-51	DELIVERY FLANGE	1			100
420	470-01107-50	DELIVERY FLANGE PACK	1			100
510	470-01112-17	STRAINER	1			100
520	471-00000-46	HOSE BAND	3			100
610	470-01177-47	FRAME AY	1			100
670	470-01105-15	CUSHION RUBBER	4			100
675	470-01159-23	CUSHION RUBBER	1			100
680	471-00000-61	BOLT AND WASHER	1			100
681	471-00000-71	BOLT AND WASHER	4			100
684	471-00000-68	SPRING WASHER	4			100
686	471-00000-66	WASHER	4			100
690	471-00000-38	NUT	4			100
691	471-00000-57	NUT	4			100
695	471-00000-36	BOLT AND WASHER	4			100
910	470-01165-69	LABEL	1			100

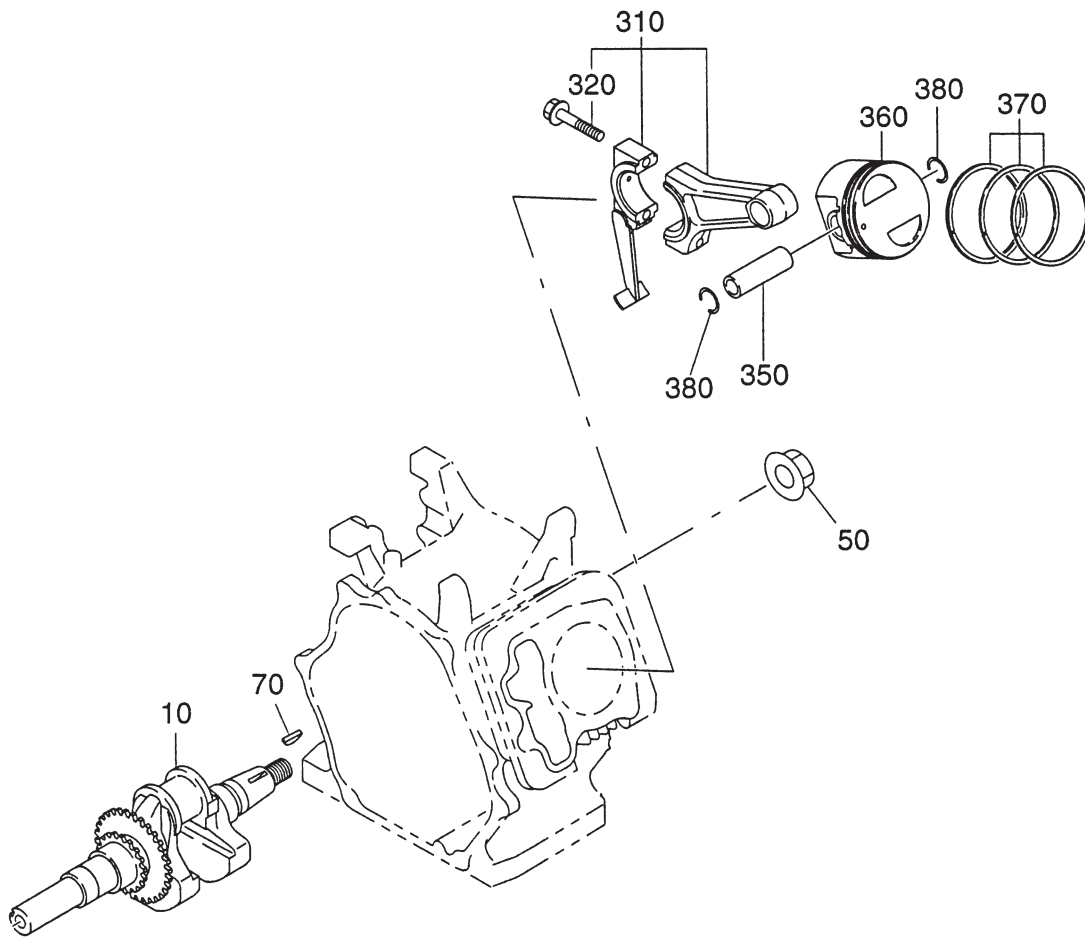
SECTION 2 CRANKCASE GROUP

FIG. 200



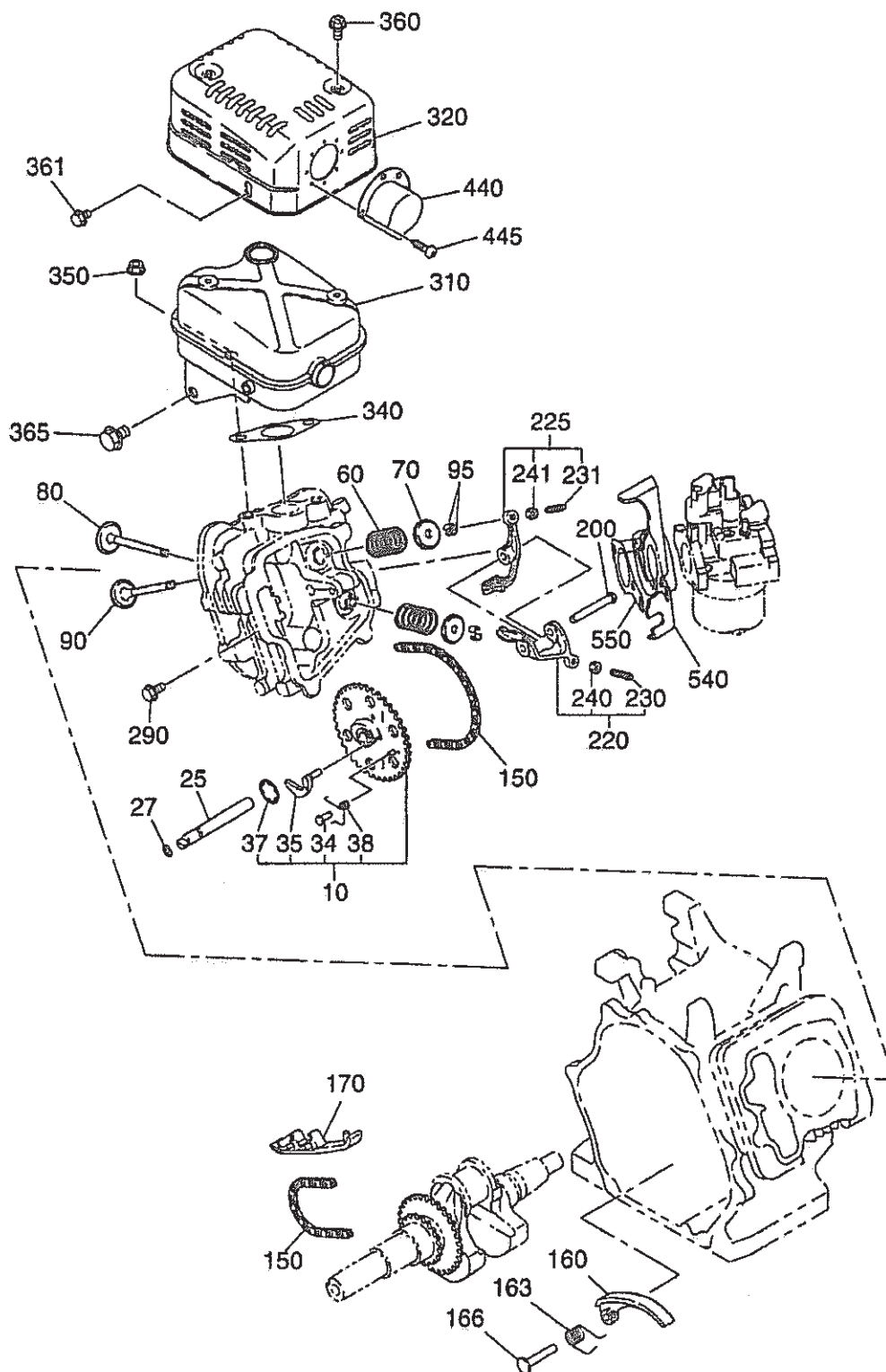
SECTION 3 CRANKSHAFT GROUP

FIG. 300



SECTION 4 INTAKE and EXHAUST GROUP

FIG. 400

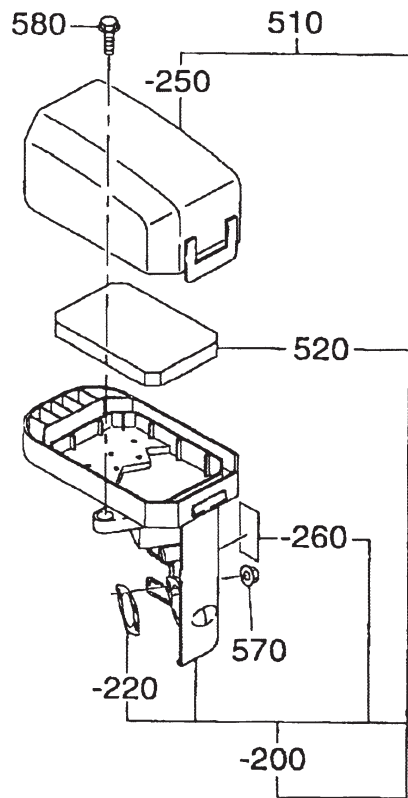


SECTION 4 INTAKE and EXHAUST GROUP

REF.	PART NO.	DESCRIPTION	QTY.	REMARKS	FROM-TO	FIG.
10	279-31601-01	CAMSHAFT CP	1			400
25	277-35101-03	PIN, camshaft	1			400
27	024-00600-10	O RING	1			400
34	277-38601-03	PIN, spring	1			400
35	279-36401-03	RELEASE LEVER	1			400
37	277-36501-03	CLIP	1			400
38	277-38701-03	RETURN SPRING	1			400
60	279-33601-03	VALVE SPRING	2			400
70	132-09KA0-40	RETAINER VALVE SPRING	2			400
80	279-33401-13	INTAKE VALVE	1			400
90	279-33501-13	EXHAUST VALVE	1			400
95	132-10KA0-31	COLLET VALVE	4			400
150	279-35601-01	TIMING CHAIN CP	1			400
160	277-36911-03	TENTIONER	1			400
163	277-37101-03	SPRING, tentioner	1			400
166	277-36902-03	PIN, tentioner	1			400
170	277-36913-13	CHAIN GUIDE	1			400
200	277-35001-03	PIN, rocker	1			400
220	277-36101-00	ROCKER ARM AY, intake	1			400
225	277-36102-00	ROCKER ARM AY, exhaust	1			400
230	014-90500-10	ADJUST SCREW	1			400
231	014-90500-10	ADJUST SCREW	1			400
240	017-00500-20	NUT	1			400
241	017-00500-20	NUT	1			400
290	011-00600-20	FLANGE BOLT	1			400
310	279-30101-11	MUFFLER CP	1			400
320	279-34201-11	MUFFLER COVER CP	1			400
340	277-35201-03	GASKET, muffler	1			400
350	980-20082-80	FLANGE NUT	2			400
360	015-20600-90	TAPPING BOLT	2			400
361	011-00600-10	FLANGE BOLT	1			400
365	011-00801-50	FLANGE BOLT	1			400
440	277-37001-03	DEFLECTOR	1			400
445	015-00400-60	TAPPING SCREW	2			400
510	279-32612-00	AIR CLEANER AY	1			400
540	279-32901-11	INSULATOR CP	1			400
550	279-35901-13	GASKET, insulator	1			400
570	002-38060-00	FLANGE NUT	2			400
580	011-00600-50	FLANGE BOLT	1			400

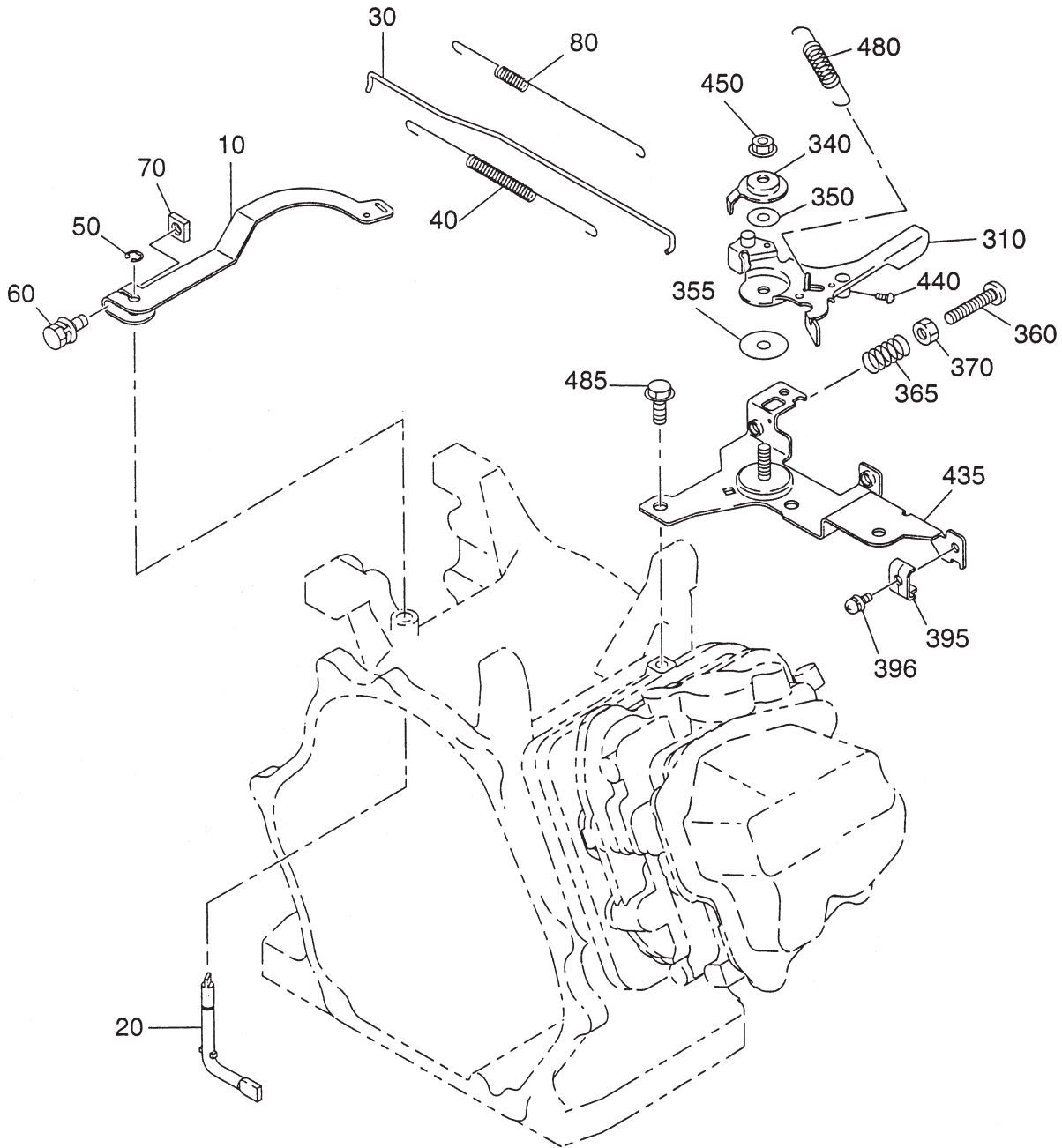
SECTION 4 INTAKE and EXHAUST GROUP

FIG. 410



SECTION 5 GOVERNOR GROUP

FIG. 500

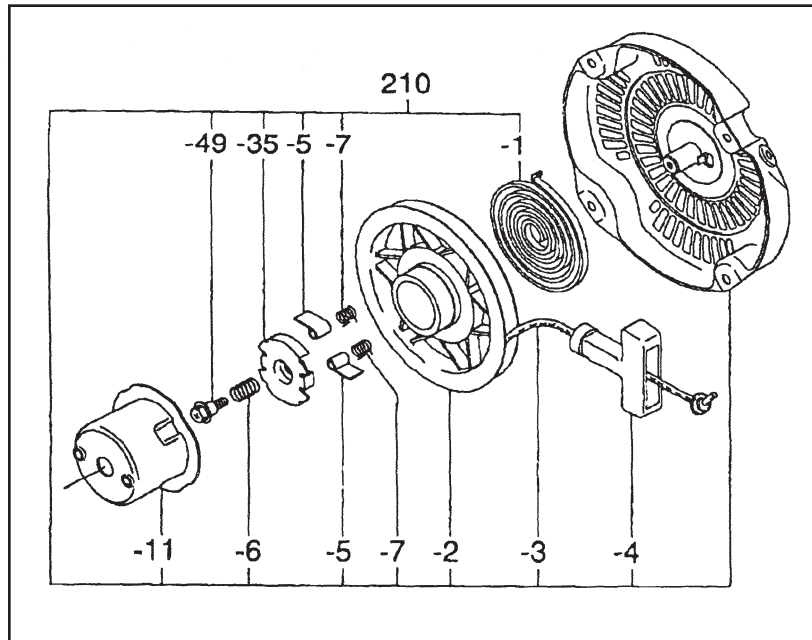
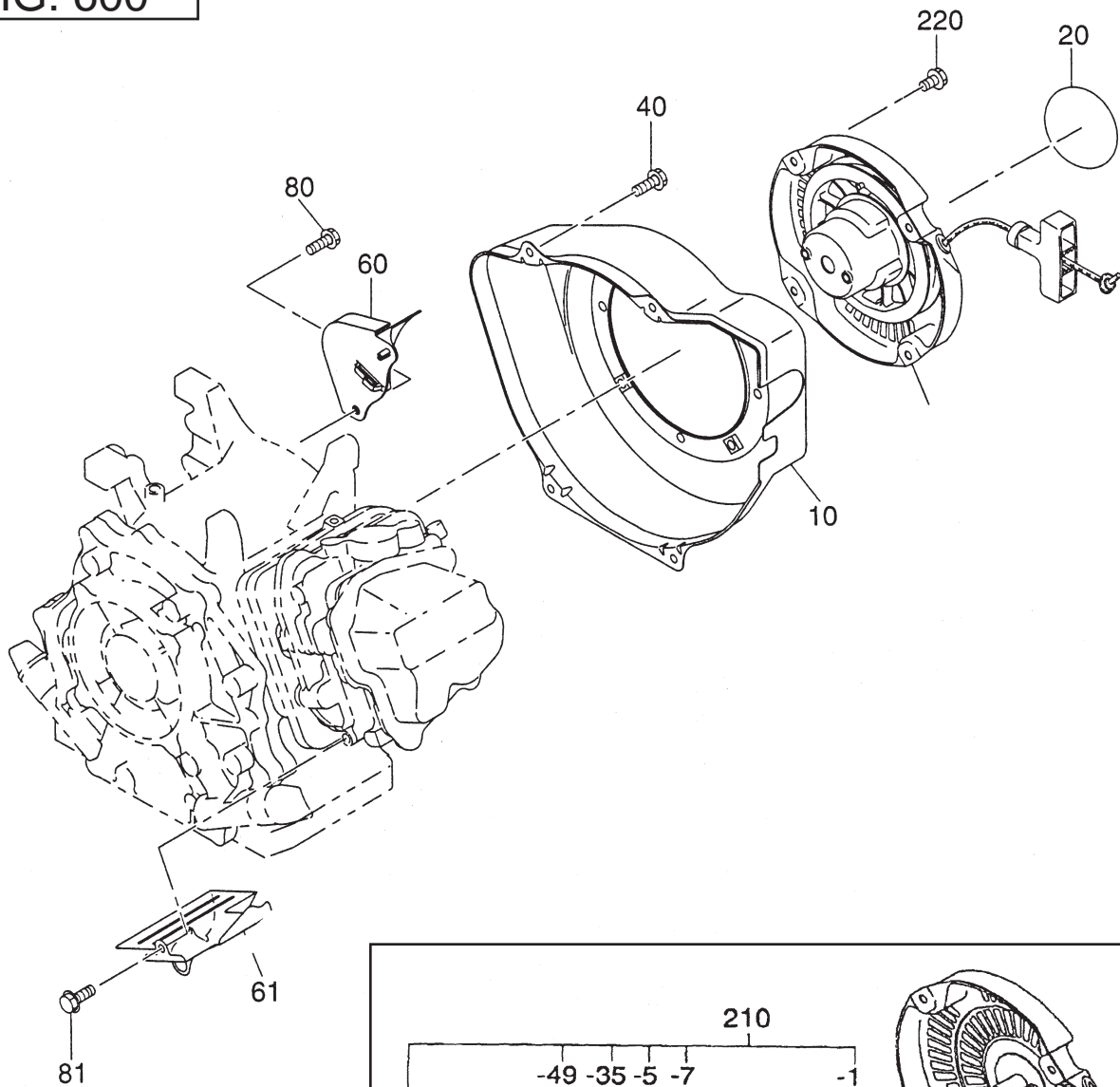


SECTION 5 GOVERNOR GROUP

REF.	PART NO.	DESCRIPTION	QTY.	REMARKS	FROM-TO	FIG.
10	279-42301-13	GOVERNOR LEVER	1			500
20	277-42201-13	GOVERNOR SHAFT	1			500
30	279-42701-01	GOVERNOR ROD CP	1			500
40	277-42801-13	ROD SPRING	1			500
50	003-13050-00	CLIP	1			500
60	001-14062-50	BOLT and WASHER AY	1			500
70	018-60600-20	NUT	1			500
80	279-42502-03	GOVERNOR SPRING	1			500
310	279-43302-01	SPEED CONTROL LEVER	1			500
340	277-43501-03	STOP PLATE	1			500
350	020-00601-70	WASHER	1			500
355	021-70600-70	FRICTION WASHER	1			500
360	004-31064-00	SCREW	1			500
365	237-45004-23	SPRING, adjust	1			500
370	002-17060-00	NUT	1			500
395	277-43901-03	CLAMP	1			500
396	004-36051-60	SCREW and WASHER AY	1			500
435	277-46001-01	SPEED CONTROL BRKT CP	1			500
440	004-31040-80	SCREW	1			500
450	002-35060-00	SELF LOCK NUT	1			500
480	267-45101-03	RETURN SPRING	1			500
485	011-00600-20	FLANGE BOLT	2			500

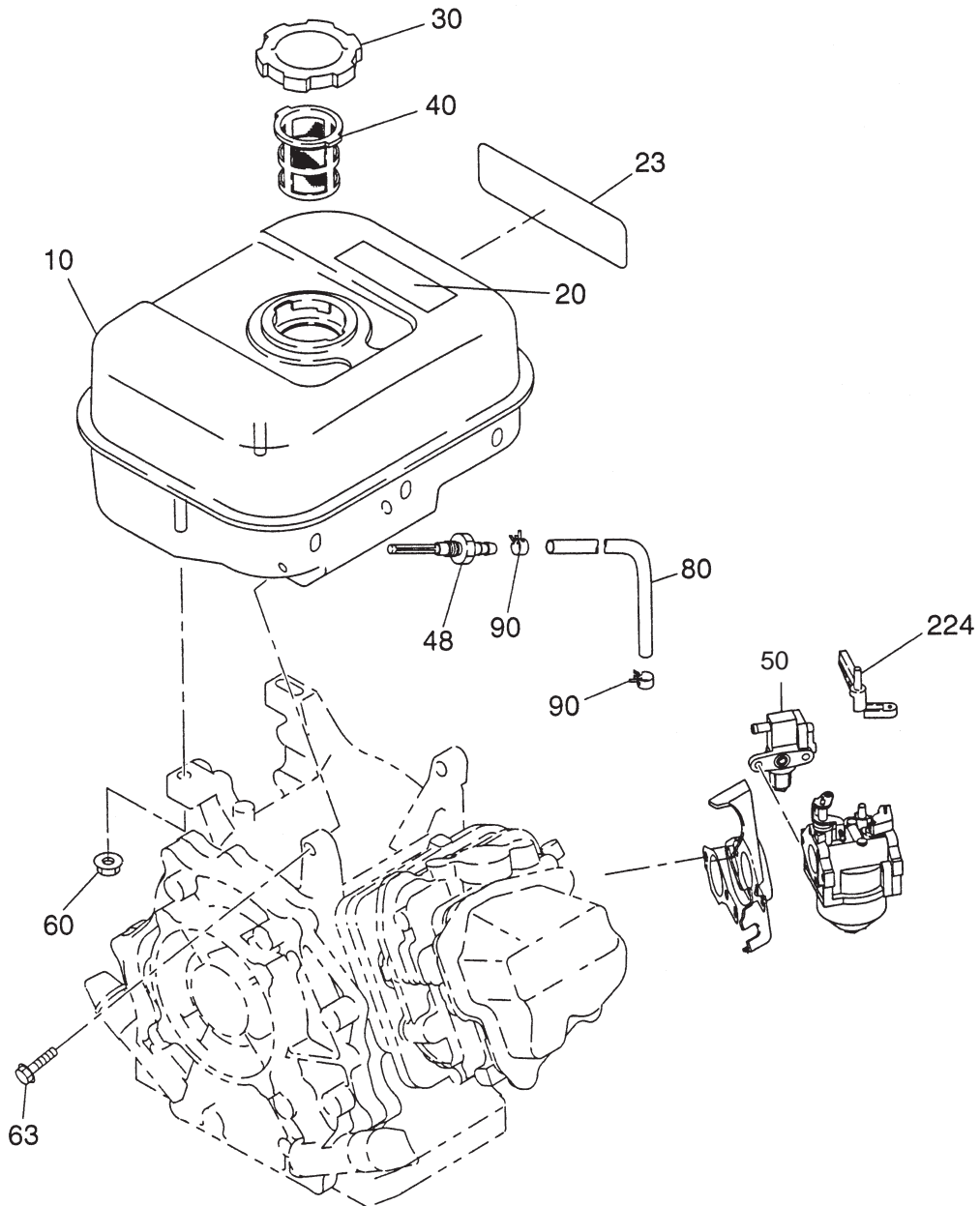
SECTION 6 COOLING and STARTING GROUP

FIG. 600



SECTION 7 FUEL, LUBRICATION GROUP

FIG. 700

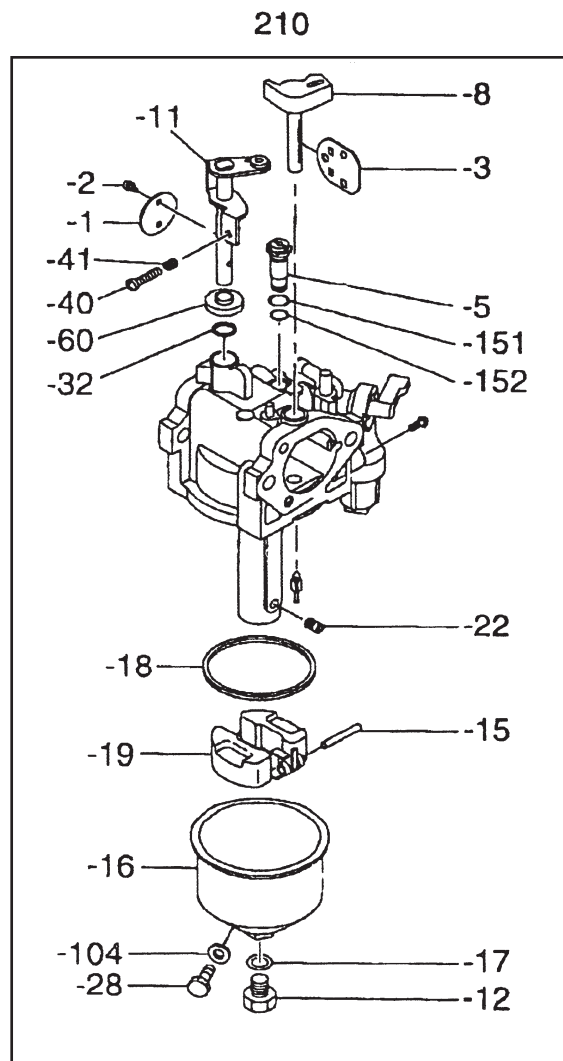


SECTION 7 FUEL, LUBRICATION GROUP

REF.	PART NO.	DESCRIPTION	QTY.	REMARKS	FROM-TO	FIG.
10	279-60101-11	FUEL TANK CP	1	Yellow		700
20	073-20051-80	LABEL, warning	1			700
23	279-95101-03	LABEL, model	1			700
30	043-04300-60	FUEL TANK CAP CP	1	leakproof		700
40	064-13600-10	FUEL FILTER	1			700
45	064-80007-00	FUEL GAUGE CP	1			700
46	014-50500-40	SCREW, countersink	2			700
48	050-51200-20	UNION	1			700
50	279-62102-00	FUEL STRAINER AY	1			700
60	002-38080-00	FLANGE NUT	2			700
63	011-00802-50	FLANGE BOLT	2			700
80	085-10600-00	RUBBER PIPE	1			700
90	056-11100-20	HOSE CLAMP	2			700
224	277-43801-01	CHOKE LEVER CP	1			700

SECTION 7 FUEL, LUBRICATION GROUP

FIG. 710

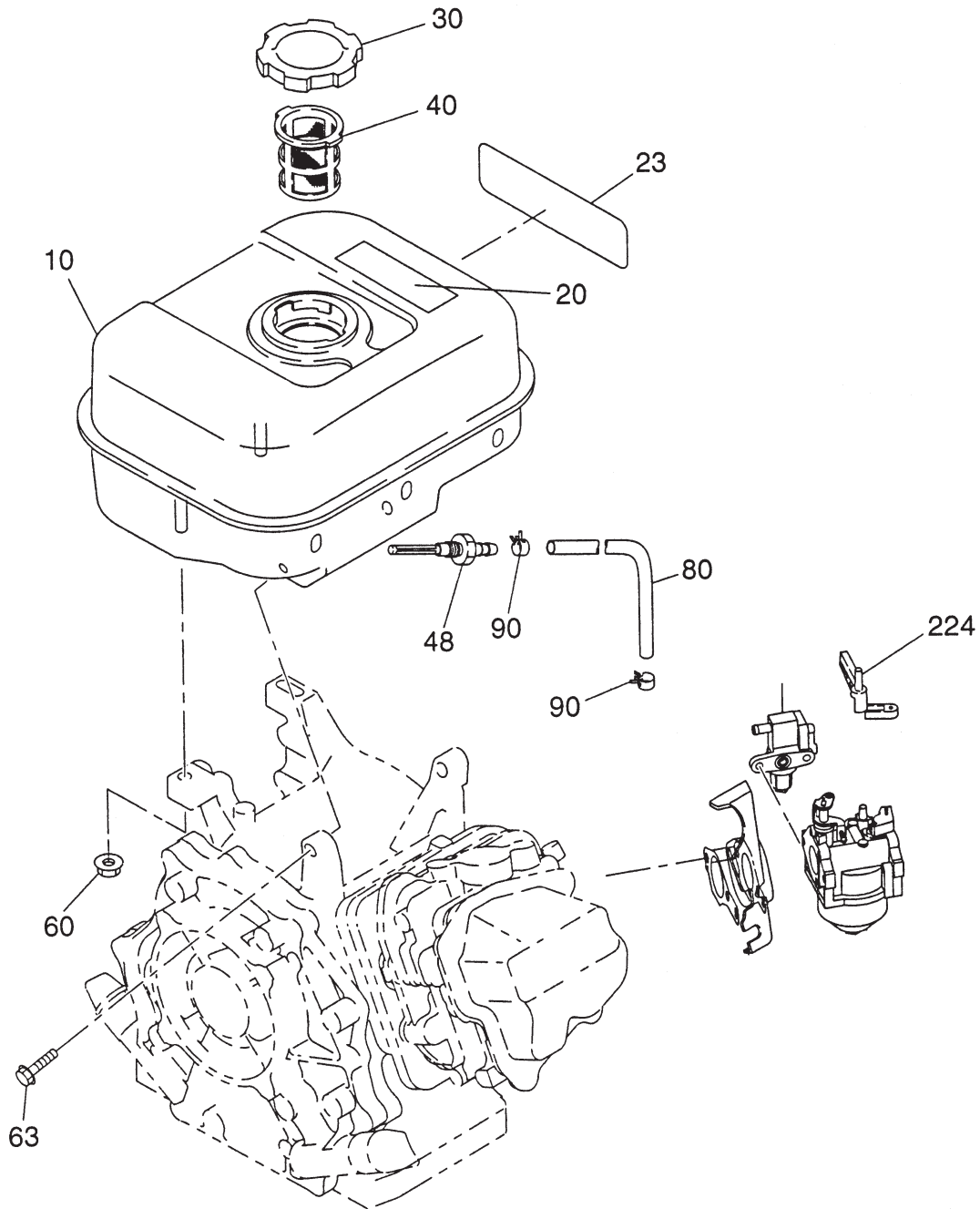


SECTION 7 FUEL, LUBRICATION GROUP

REF.	PART NO.	DESCRIPTION	QTY.	REMARKS	FROM-TO	FIG.
210	279-62301-00	CARBURETOR AY	1			710
-1	279-62535-08	THROTTLE VALVE	1			710
-2	251-62450-08	SCREW	2			710
-3	279-62525-08	CHOKE VALVE	1			710
-5	279-62420-08	SLOW JET	1			710
-6	279-62354-08	SCREW, idle adjusting	1			710
-7	251-62449-08	SPRING	1			710
-8	279-62520-08	CHOKE SHAFT	1			710
-11	279-62530-08	SHAFT AY	1			710
-12	251-62453-08	SCREW	1			710
-15	279-62515-08	PIN FLOAT LEVER	1			710
-16	279-62550-08	CHAMBER FLOAT	1			710
-17	251-62350-08	GASKET	1			710
-18	279-62540-08	GASKET CHAMBER	1			710
-19	279-62505-08	FLOAT AY	1			710
-22	279-62400-08	MAIN JET	1			710
-28	279-62355-08	DRAIN SCREW	1			710
-32	279-62561-08	BUSH	1			710
-40	279-62353-08	ADJUSTING SCREW	1			710
-41	279-62445-08	SPRING	1			710
-60	279-62562-08	COLLAR	1			710
-104	279-62552-08	GASKET	1			710
-121	251-62480-08	CAP	1			710
-151	279-62452-08	O-RING	1			710
-152	279-62451-08	O-RING	1			710

SECTION 8 ELECTRIC DEVICE GROUP

FIG. 800



SECTION 8 ELECTRIC DEVICE GROUP

FIG. 810

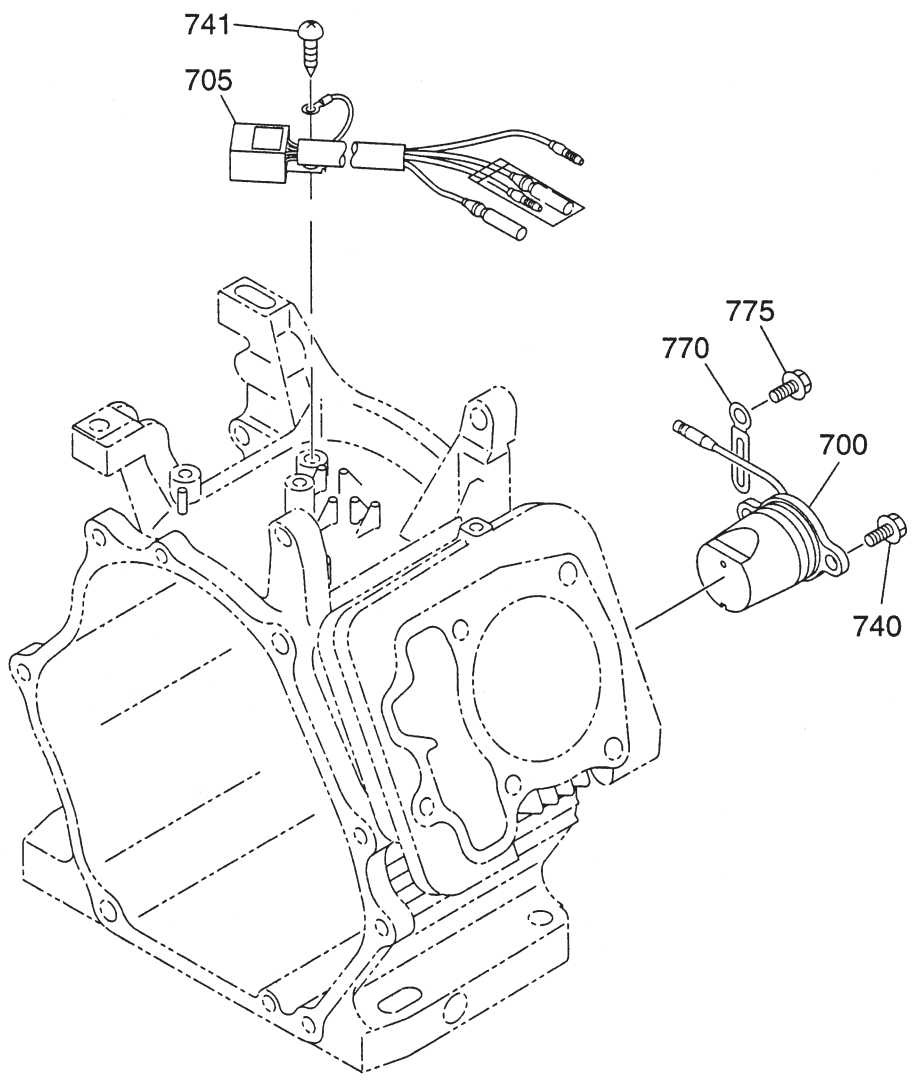
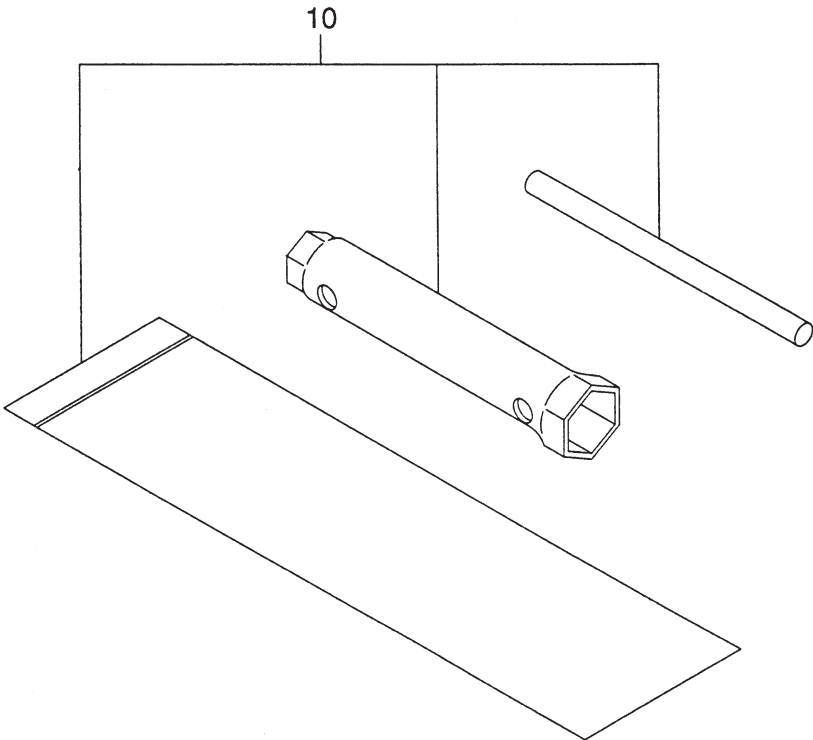


FIG. 900



PRINTED IN THE USA