

PARTS MANUAL

MODEL
PKX401T

PKX401T0360
3/16



SUBARU

Industrial Power Products

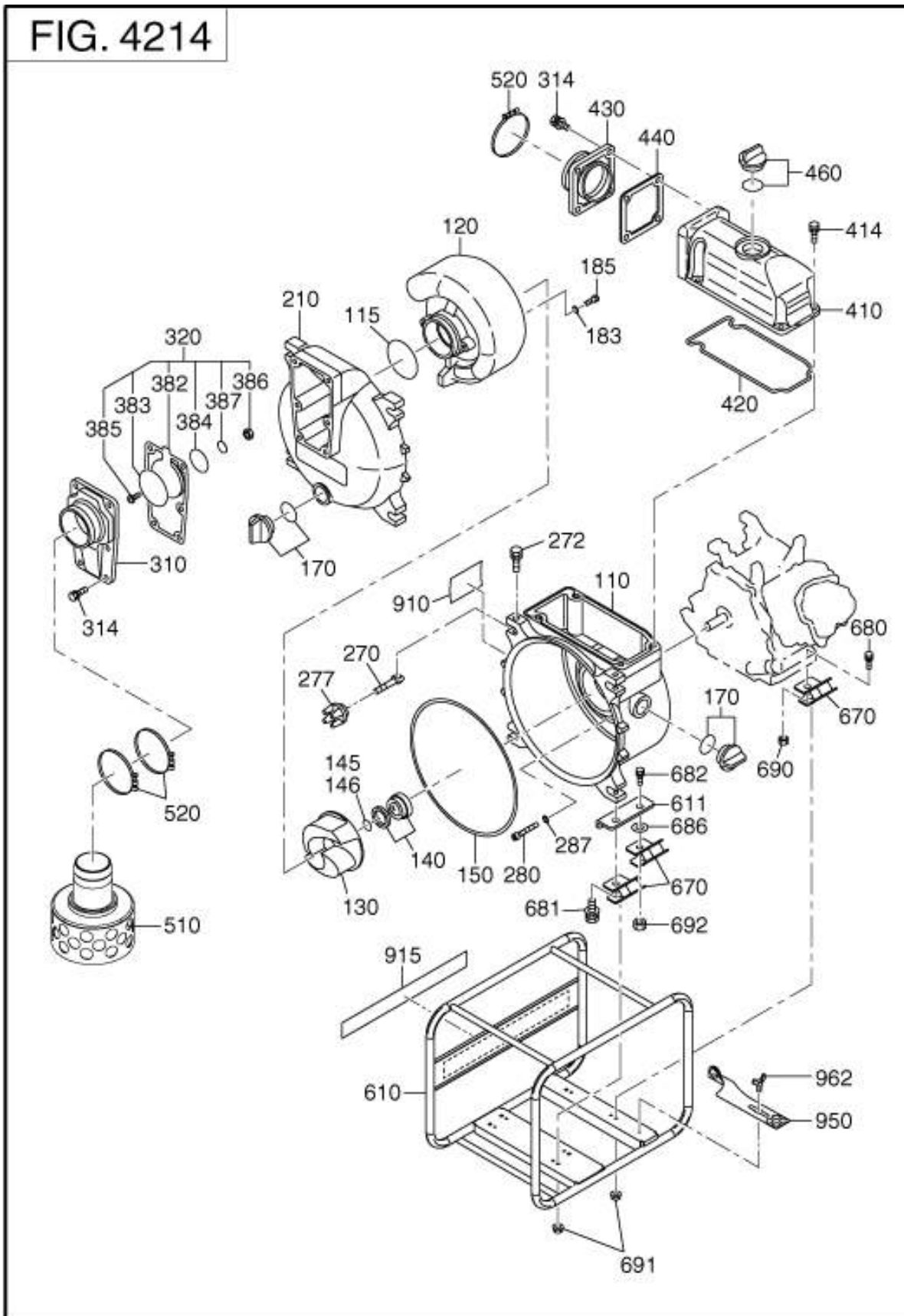
Subaru Industrial Power Products

905 Telser Road - Lake Zurich, IL 60047 - Phone 847-540-7300 - Fax 847-438-5012

e-mail: sales@subarupower.com - www.subarupower.com

PKX401T

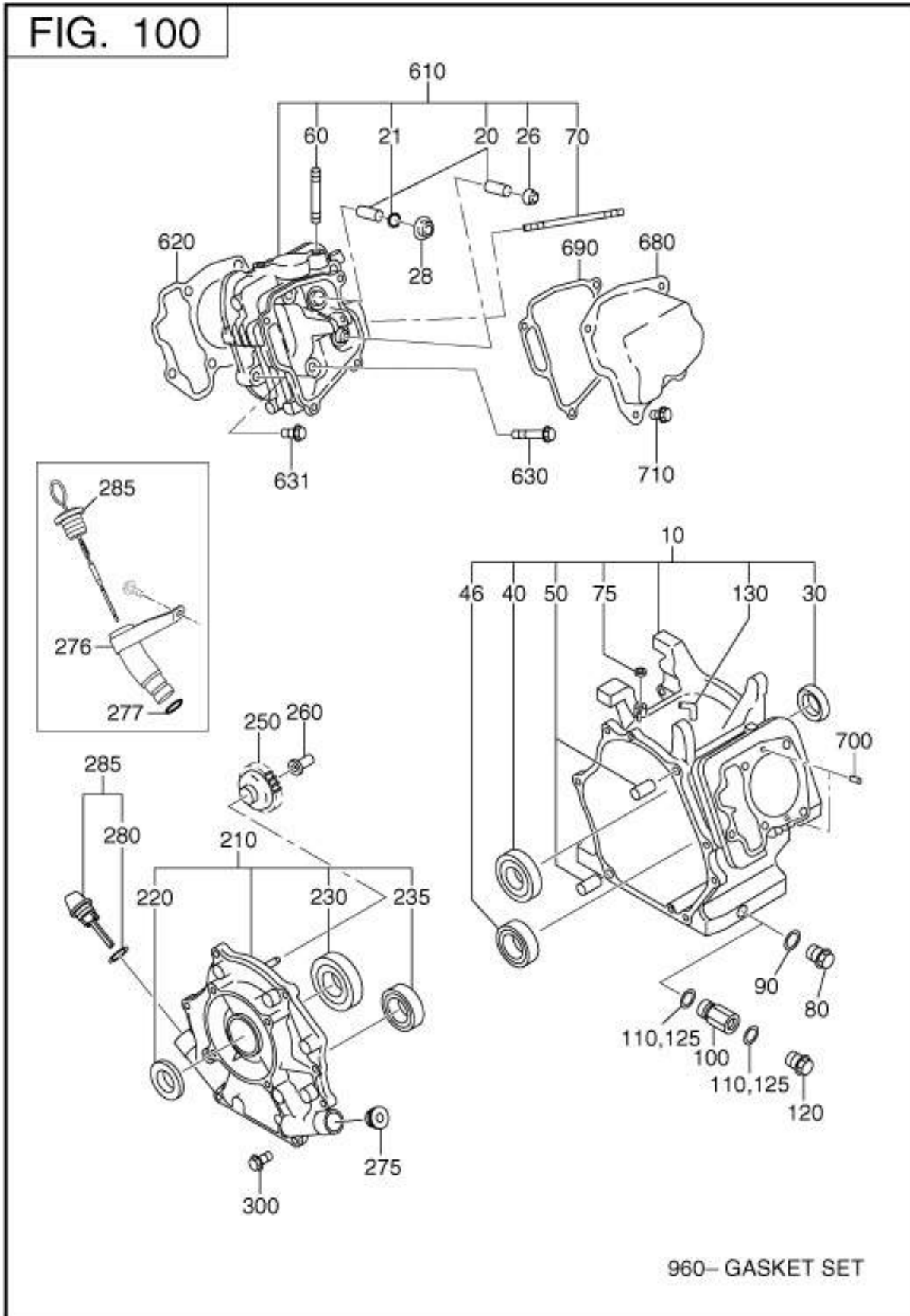
42 PUMP



REF.	PART NUMBER	PART NAME	CODE NO.	QTY	REMARKS	INTERCHANGE
110	470-01218-90	CASING	-	1		
115	470-01162-70	O RING	-	1		
120	470-01164-88	INNER CASING	-	1		
130	470-01156-26	IMPELLER	-	1		
140	470-01156-78	MECHANICAL SEAL	-	1		
145	470-01105-61	ADJUSTING WASHER	-	2		
146	470-01164-05	ADJUSTING WASHER	-	2		
150	470-01155-79	FRONT COVER PACKING	-	1		
170	470-01180-79	PLUG AY	-	2		
183	470-01215-40	WASHER	-	3		
185	470-01215-39	SOCKET BOLT	-	3		
210	470-01166-12	FRONT COVER	-	1		
270	470-01155-80	COVER BOLT	-	4		
272	471-00000-73	BOLT & WASHER AY	-	2	M12X45L	
277	470-01155-90	KNOB	-	4		
280	470-01164-92	SOCKET BOLT	-	4		
287	470-01164-93	WASHER	-	4	8D	
310	470-01115-79	SUCTION FRANGE	-	1		
314	471-00000-42	BOLT & WASHER AY	-	10		
320	470-01182-61	CHECK VALVE SET	-	1		
410	470-01161-48	DELIVERY HOUSING	-	1		
414	471-00000-34	BOLT & WASHER AY	-	4	M10X30L	
420	470-01155-48	HEAD PACKING	-	1		
430	470-01129-96	DELIVERY FLANGE	-	1		
440	470-01107-50	DELIVERY FLANGE PACK	-	1		
460	470-01184-50	PLUG AY	-	1		
510	470-01109-79	STRAINER	-	1		
520	471-00000-48	HOSE BAND	-	3		
610	470-01270-83	BASE AY	-	1		
611	470-01162-73	RUBBER MOUNT	-	2		

REF.	PART NUMBER	PART NAME	CODE NO.	QTY	REMARKS	INTERCHANGE
670	470-01161-72	CUSHION RUBBER	-	6		
680	471-00000-36	BOLT & WASHER AY	-	2		
681	471-00000-81	BOLT & WASHER AY	-	2		
682	471-00000-33	BOLT & WASHER AY	-	2		
686	471-00000-82	WASHER	-	2		
690	471-00000-38	NUT	-	2	M10	
691	471-00000-76	NUT	-	6	M8	
692	471-00000-45	NUT	-	2	M12	
910	470-01223-85	LABEL,PUMP NAME	-	1		
915	470-01219-57	LABEL(TRADE MARK)	-	1		
950	470-01162-04	TOOL	-	1		
962	471-00000-79	WING BOLT	-	1	M8X15L	

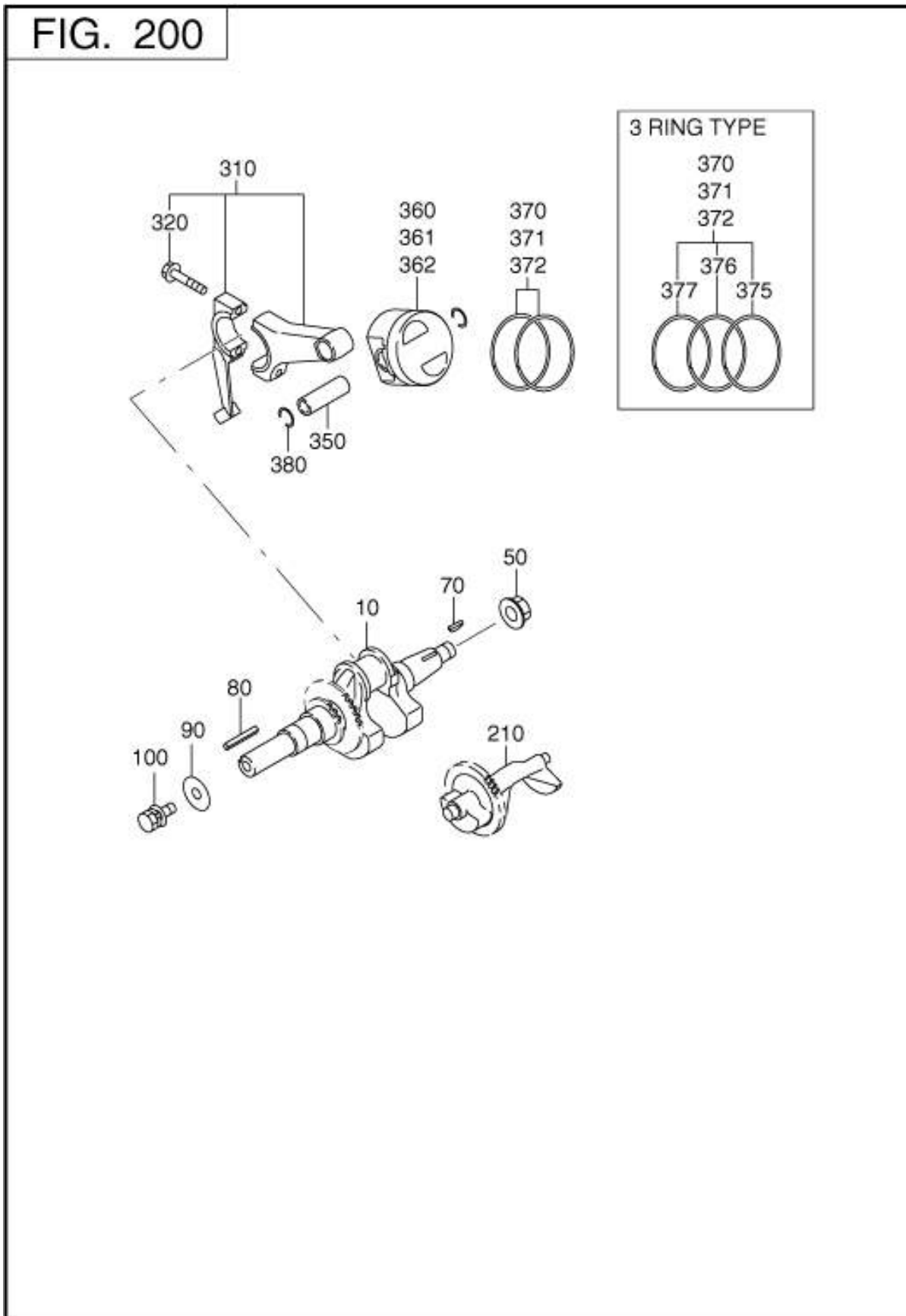
1 CRANK CASE



REF.	PART NUMBER	PART NAME	CODE NO.	QTY	REMARKS	INTERCHANGE
10	20B-10102-51	CRANKCASE CP	-	1		
20	20B-14202-03	VALVE GUIDE	-	2		
21	056-51000-50	CLIP	-	1	10. 7DX0. 9D	
26	132-11AA1-10	SEAL-EXH VALVE	-	1		
28	263-35341-03	RETAINER PLATE	-	1	11DX17. 3DX27DX4. 7H	
30	044-03500-91	OIL SEAL	-	1	35DX48DX8B	
40	X60-03502-40	BALL BEARING	-	1	35DX72DX17B	060-03503-00
46	X60-01500-11	BALL BEARING	-	1	15DX35DX11B	060-01500-11
50	277-15011-03	PIPE KNOCK	-	2		
60	010-50802-90	STUD	-	2	M8X1. 25X30L	
70	010-50604-40	STUD	-	2	M6X52X125L	
75	044-00800-10	OIL SEAL	-	1	8DX14DX4B	
80	040-11400-30	OIL DRAIN PLUG	-	2		
90	021-11400-20	GASKET 14	-	2		
210	20B-11001-21	MAINBEARING COVER CP	-	1		20B-11001-31
220	044-03500-91	OIL SEAL	-	1	35DX48DX8B	
230	X60-03502-40	BALL BEARING	-	1	35DX72DX17B	060-03503-00
235	X60-01500-11	BALL BEARING	-	1	15DX35DX11B	060-01500-11
250	20B-45003-11	GOVERNOR GEAR CP	-	1		
260	277-41902-01	GOVERNOR SLEEVE	-	1		
280	021-32000-50	GASKET	-	2	20DX27DX1. 5T RUBBER	
285	279-63601-30	OIL GAUGE AY	-	2		
300	011-00803-40	FLANGE BOLT	-	8	M8X1. 25X17DX38L	
610	20B-13002-00	CYLINDER HEAD AY	-	1		
620	20B-15001-33	GASKET(HEAD)	-	1	T=0. 2	
630	011-01000-40	FLANGE BOLT	-	4	M10X1. 25X19DX75L	
631	001-04083-50	FLANGE BOLT	-	2	M8X1. 25X16DX35L	
680	20B-15501-01	ROCKER COVER CP	-	1		
690	20B-16001-03	GASKET(ROCKER COVER)	-	1	T=0. 5	

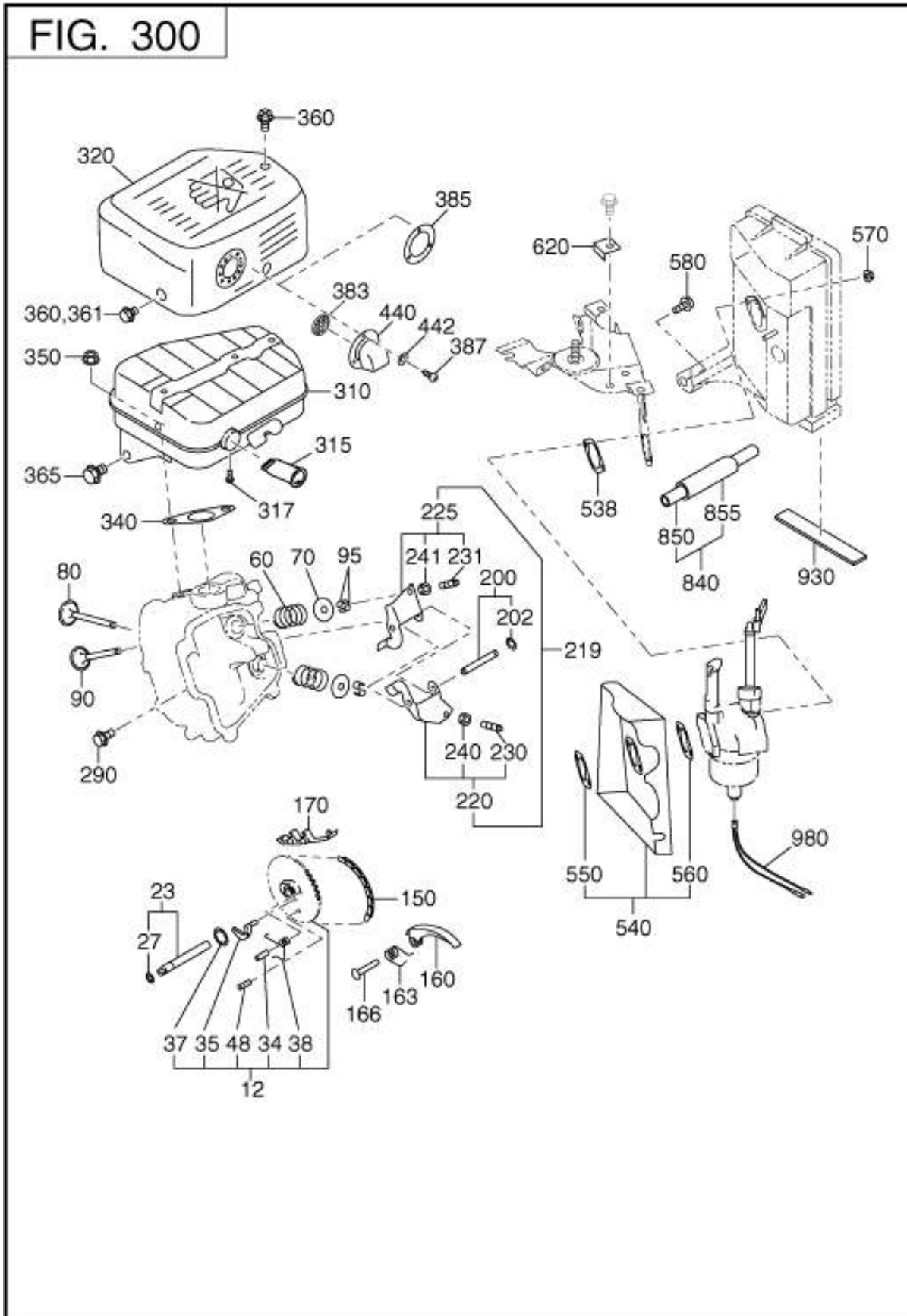
REF.	PART NUMBER	PART NAME	CODE NO.	QTY	REMARKS	INTERCHANGE
700	031-00600-10	DOWEL PIN	-	2	6DX14. 8L	
710	011-00600-20	FLANGE BOLT	-	4	M6X1. 0X14DX12L	
960	20B-99001-37	GASKET SET	-	1		

2 CRANKSHAFT,PISTON



REF.	PART NUMBER	PART NAME	CODE NO.	QTY	REMARKS	INTERCHANGE
10	20B-21001-31	CRANK SHAFT CP	-	1		
50	018-01800-10	FLANGE NUT	-	1	M18X1.5X31DX14H	
70	005-32054-01	WOODRUFF KEY	-	1	5BX7.5HX19D	
210	22B-24101-03	BALANCER SHAFT	-	1		
310	20B-22503-00	CONNECTING ROD AY	-	1		
320	001-05084-00	FLANGE BOLT	-	2	M8X1.25X16DX40L	
350	263-23301-33	PISTON PIN	-	1	21DX15DX64.2L	
360	22B-23401-J3	PISTON	-	1	STD	
361	22B-23403-J3	PISTON	-	1	0.25 O.S.	
362	22B-23404-J3	PISTON	-	1	0.50 O.S.	
370	22B-23501-07	PISTON RING SET	-	1	STD	
371	22B-23502-07	PISTON RING SET	-	1	0.25 O.S.	
372	22B-23503-07	PISTON RING SET	-	1	0.50 O.S.	
380	056-52100-20	CLIP	-	2	22.1DX1.4D	

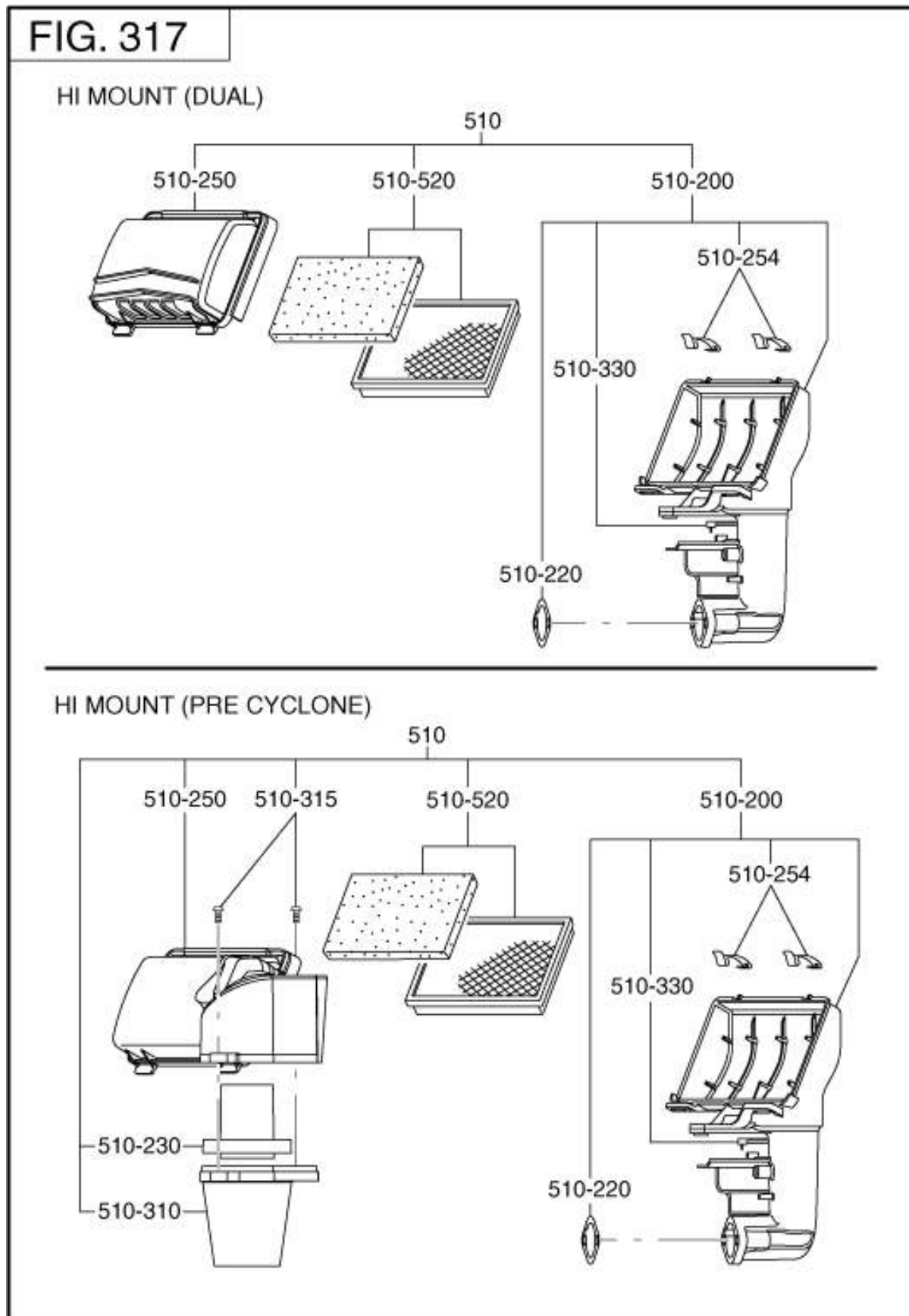
3 INTAKE,EXHAUST



REF.	PART NUMBER	PART NAME	CODE NO.	QTY	REMARKS	INTERCHANGE
12	20B-31601-20	CAMSHAFT AY	-	1		
23	20B-35101-21	PIN(CAM SHAFT)CP	-	1		
27	024-00700-21	O-RING	-	1		
34	005-19041-00	SPRING PIN	-	1	4. 4DX10LX0. 8T	
35	277-36401-13	RELEASE LEVER	-	1		
37	20B-36501-03	CLIP	-	1		
38	277-38702-03	RETURN SPRING	-	1	5. 1DX0. 6DX4. 4L N=7	
48	031-80500-20	ROLL PIN	-	1		
60	246-33611-03	VALVE SPRING	-	2	22. 2DX2. 9DX37L N=6. 5	
70	246-33711-13	SPRING RETAINER	-	2	7. 6DX26DX8T	
80	20B-33402-H3	INTAKE VALVE	-	1		
90	20B-33502-H3	EXHAUST VALVE	-	1		
95	246-35501-03	COLLET-VALVE	-	4		
150	20B-35601-H1	TIMING CHAIN CP	-	1	112LINK	
160	277-36911-03	TENTIONER	-	1		20A-36911-03
163	277-37101-03	SPRING(TENTIONER)	-	1	10DX1. 8DX14L N=4. 5	
166	277-36902-03	PIN(TENTIONER)	-	1	6DX13DX34L	
170	277-36913-13	CHAIN GUIDE	-	1		20A-36913-03
200	20B-35001-01	PIN(ROCKER)CP	-	1		
202	003-13060-00	CLIP	-	1	6DX12DX0. 8T	
220	20B-36101-00	ROCKER ARM(IN) AY	-	1		
225	20B-36102-10	ROCKER ARM(EX) AY	-	1		
230	014-90500-20	ADJUST SCREW	-	1	M5X0. 5X23L	
231	014-90500-20	ADJUST SCREW	-	1	M5X0. 5X23L	
240	017-00500-30	NUT	-	1	M5X0. 5X4. 1H	
241	017-00500-30	NUT	-	1	M5X0. 5X4. 1H	
290	011-00600-10	FLANGE BOLT	-	1	M6X1. 0X14DX8L	
310	20B-30111-J2	MUFFLER UN	-	1		
315	267-37602-01	SPARK ARRESTER CP	-	1		
317	015-00400-60	TAPPING SCREW	-	1	M4X6L	

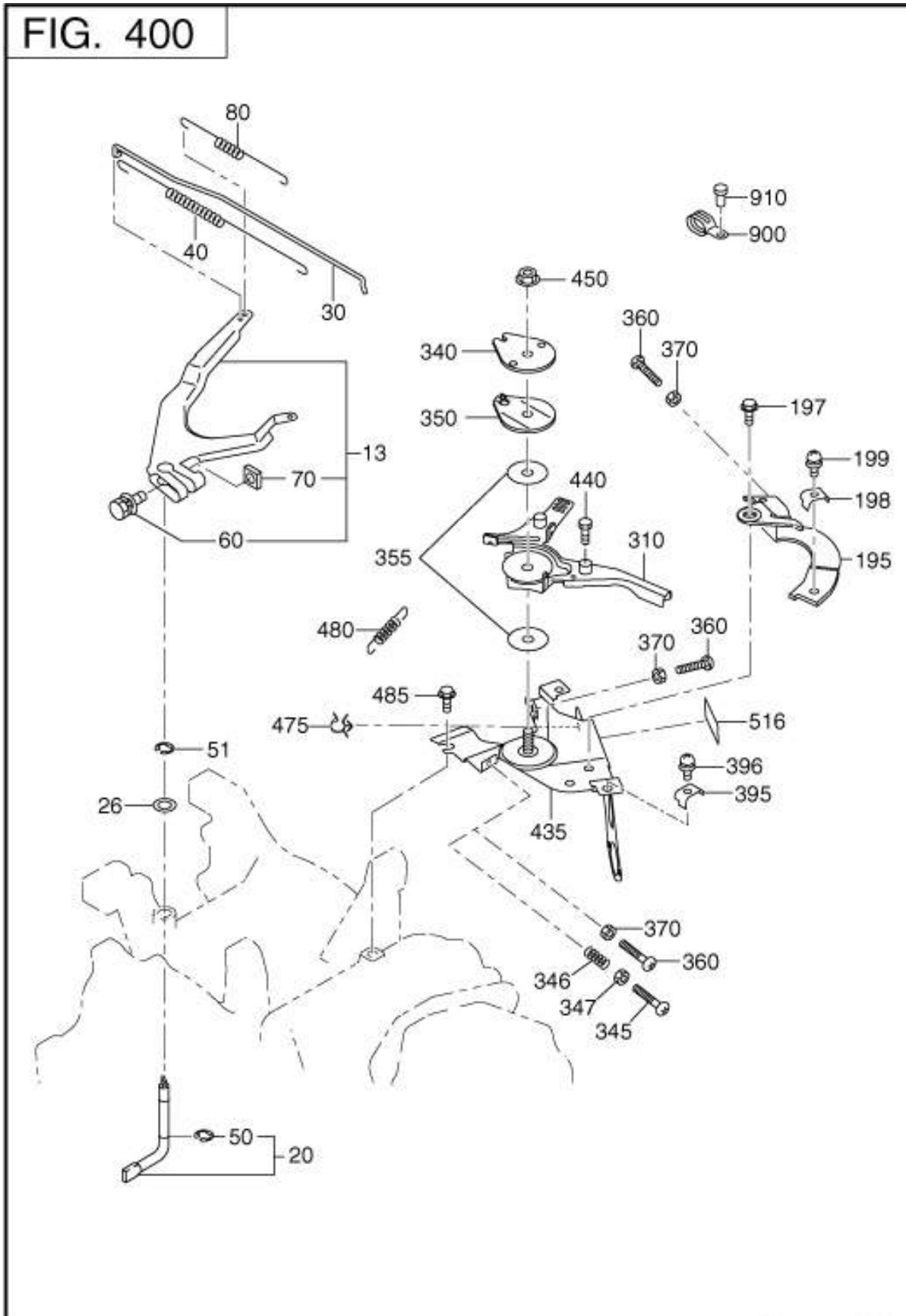
REF.	PART NUMBER	PART NAME	CODE NO.	QTY	REMARKS	INTERCHANGE
320	20B-34201-11	MUFFLER COVER CP	-	1		
340	20B-35201-13	GASKET(MUFFLER)	-	1	T=0.2	
350	002-38080-00	FLANGE NUT	-	2	M8X1.25X17DX7.5H	
360	011-00600-10	FLANGE BOLT	-	5	M6X1.0X14DX8L	
365	011-00803-20	FLANGE BOLT	-	1	M8X1.25X16DX12L	
385	267-37101-12	TAIL SCREEN UN	-	1		
387	015-00400-60	TAPPING SCREW	-	3	M4X6L	
538	20B-35903-13	GASKET 3	-	1	T=0.5	
540	20B-32901-K1	INSULATOR CP	-	1		
550	20B-35902-H3	GASKET 2	-	1	T=0.5	
560	20B-35901-H3	GASKET 1	-	1	T=0.5	
570	002-38060-00	FLANGE NUT	-	2	M6X1.0X13DX6H	
580	001-04061-60	FLANGE BOLT	-	1	M6X1.0X13DX16L	
620	20B-57101-03	COVER STAY(A/C)	-	1		
850	X85-11001-70	RUBBER PIPE	-	1	10DX15DX170L	

3 INTAKE,EXHAUST



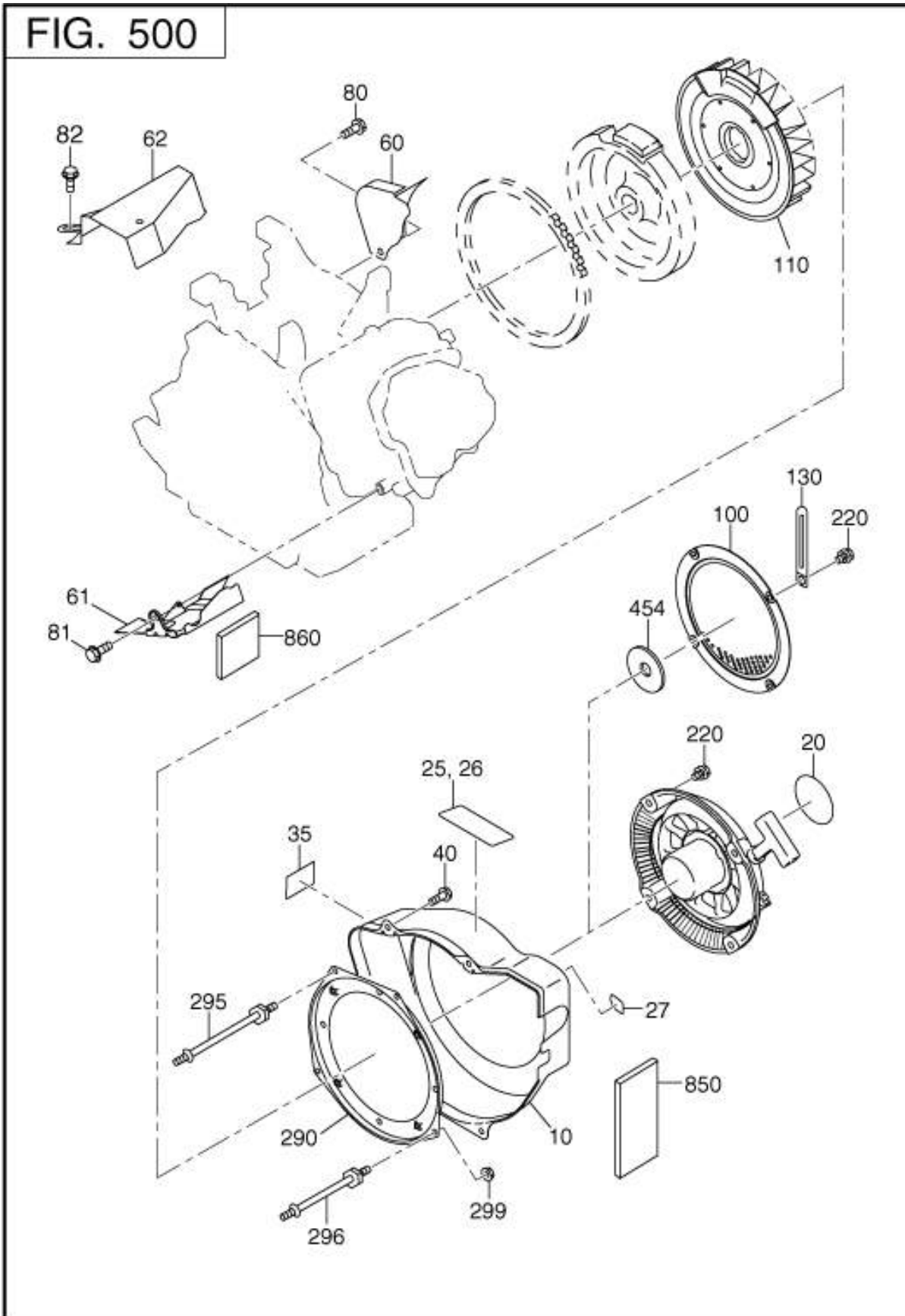
REF.	PART NUMBER	PART NAME	CODE NO.	QTY	REMARKS	INTERCHANGE
510	20B-32651-J0	AIR CLEANER AY	-	1	HI-MOUNT (DUAL)	
-200	20B-32636-H8	BODY CP	-	1		
-220	20B-32720-H8	PACKING	-	1		
-250	20B-32641-J8	COVER	-	1		
-254	20B-32680-H8	CLIP 1	-	2		
-330	20B-43801-H1	CHOKE LEVER CP	-	1		
-520	20B-32610-J7	ELEMENT AY	-	1		

4 GOVERNOR OPERATION



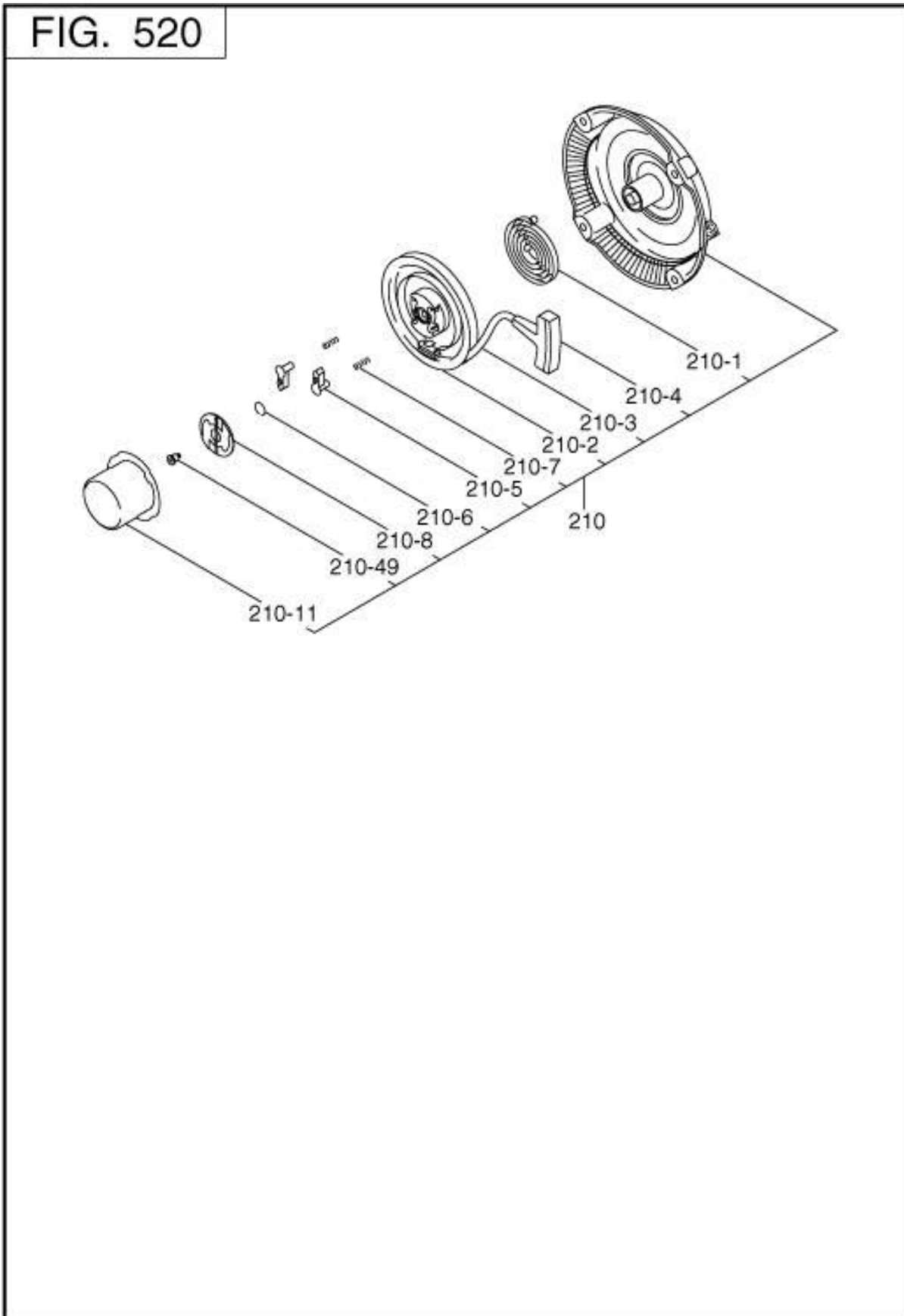
REF.	PART NUMBER	PART NAME	CODE NO.	QTY	REMARKS	INTERCHANGE
13	20B-42301-20	GOVERNOR LEVER AY	-	1		
20	20B-42201-01	GOVERNOR SHAFT CP	-	1		
26	003-11080-00	WASHER	-	1	8. 5DX18DX1. 6T	
30	20B-42701-23	GOVERNOR ROD	-	1		
40	20B-42801-13	ROD SPRING	-	1		
50	003-13060-00	CLIP	-	1	6DX12DX0. 8T	
51	003-13060-00	CLIP	-	1	6DX12DX0. 8T	
60	001-14062-50	BOLT AND WASHER AY	-	1	M6X1. 0X25L W/W, SW	
70	018-60600-20	NUT	-	1	M6X1. 0X4. 9H SQUARE	
80	20B-42501-13	GOVERNOR SPRING	-	1		
310	20B-43301-03	SPEED CONTROL LEVER	-	1		
340	227-43501-13	STOP PLATE	-	1		
350	227-45002-03	SPRING WASHER	-	1	T=0. 4	
355	021-70600-30	FRICTION WASHER	-	2	6. 5DX33DX0. 6T FIBER	
360	004-31062-00	SCREW	-	1	M6X1. 0X20L	
370	002-27060-00	NUT	-	1	M6X1. 0X3. 6H	
435	20B-46001-21	SPEED CONTROL BKT CP	-	1		
450	002-35060-00	SELF LOCK NUT	-	1	M6X1. 0X6. 8H	
485	011-00600-20	FLANGE BOLT	-	1	M6X1. 0X14DX12L	
516	277-96107-03	LABEL(HI-LOW)	-	1		

5 COOLING,STARTING



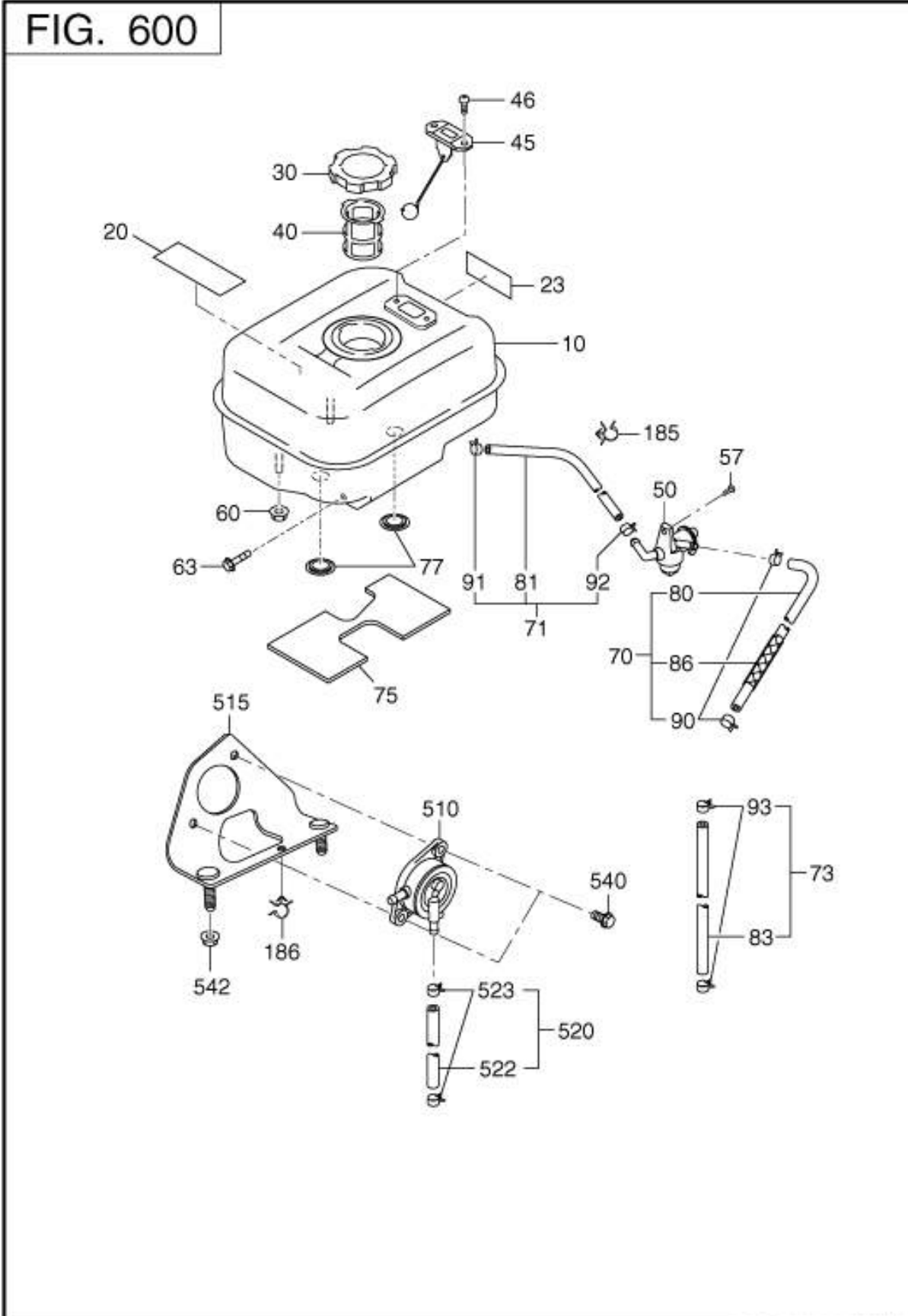
REF.	PART NUMBER	PART NAME	CODE NO.	QTY	REMARKS	INTERCHANGE
10	20B-51302-11	BLOWER HOUSING CP	-	1		20B-51302-21
20	073-20058-20	LABEL(TRADE MARK)	-	1	60D	
40	011-00600-20	FLANGE BOLT	-	4	M6X1.0X14DX12L	
60	279-52711-11	BAFFLE 1(CASE) CP	-	1		
61	20B-52704-13	BAFFLE 2(HEAD)	-	1		
80	001-65081-20	BOLT	-	1	M8X1.25X12L	
81	011-00600-10	FLANGE BOLT	-	2	M6X1.0X14DX8L	
110	20B-54101-H3	COOLING BLOWER	-	1		
220	013-00602-81	BOLT AND WASHER AY	-	4	M6X1.0X14L W/SW	

5 COOLING STARTING



REF.	PART NUMBER	PART NAME	CODE NO.	QTY	REMARKS	INTERCHANGE
210	20B-50301-H0	RECOIL STARTER AY	-	1		
- 1	22D-50155-H8	SPIRAL SPRING	-	1		
- 2	22D-50121-H8	REEL	-	1		
- 3	22D-50110-H8	STARTER ROPE	-	1		
- 4	20F-50100-18	STARTER KNOB	-	1		
- 5	22H-50125-08	RATCHET	-	2		
- 6	274-50131-08	FRICTION SPRING	-	1		
- 7	22D-50136-H8	RETURN SPRING	-	2		
- 8	22D-50141-H8	RATCHET GUIDE	-	1		
- 11	20B-50145-H8	STARTER PULLEY	-	1		
- 49	20B-50101-08	SET SCREW	-	1		

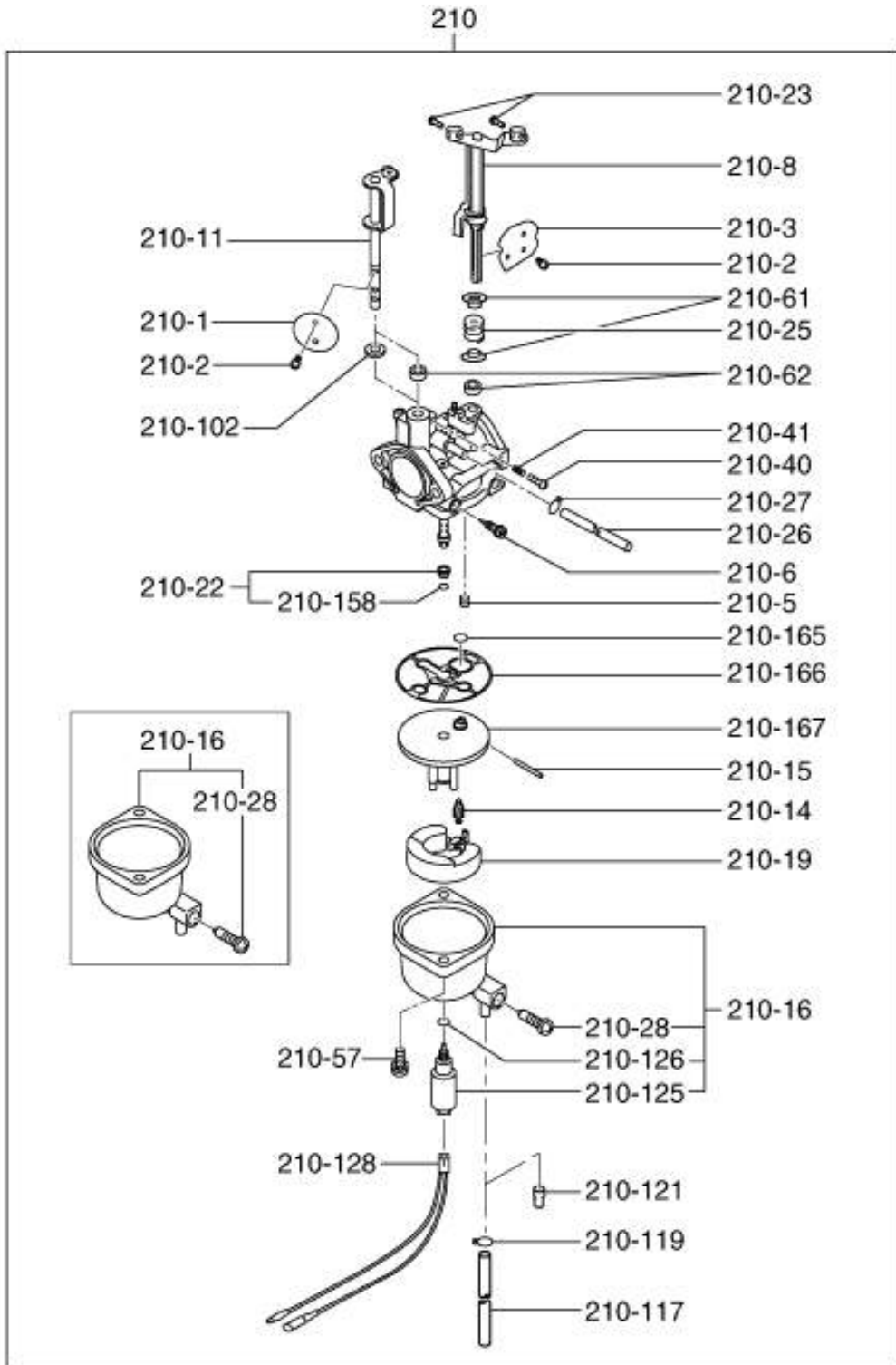
6 FUEL LUBRICANT



REF.	PART NUMBER	PART NAME	CODE NO.	QTY	REMARKS	INTERCHANGE
10	20B-60102-01	FUEL TANK CP	-	1		20B-60102-11
20	073-20057-60	LABEL(WARNING)	-	1		
23	20B-95103-03	LABEL(MODEL)	-	1		20B-95103-13
30	X43-04401-62	FUEL TANK CAP CP	-	1		
40	X64-13600-10	FUEL FILTER	-	1		
50	X64-20122-01	FUEL STRAINER AY	-	1		
57	011-00600-10	FLANGE BOLT	-	1	M6X1. 0X14DX8L	
60	002-38080-00	FLANGE NUT	-	2	M8X1. 25X17DX7. 5H	
63	011-00802-50	FLANGE BOLT	-	2	M8X1. 25X16DX25L	
70	20B-62601-31	FUEL PIPE CP	-	1		
71	267-62604-11	FUEL PIPE CP	-	1	6. 35DX12. 7DX250L	
80	085-10620-41	RUBBER PIPE	-	1	6DX11DX80L	
81	X85-10614-91	RUBBER PIPE	-	1	6. 4DX12. 7DX250L	
90	056-11000-30	HOSE CLAMP	-	2	10DX8BX1T	
91	056-11200-40	HOSE CLAMP	-	1	12DX8BX0. 8T	
92	X56-11100-60	HOSE CLAMP	-	1	11. 5DX8BX0. 7T	
185	056-81200-20	CLAMP	-	1		

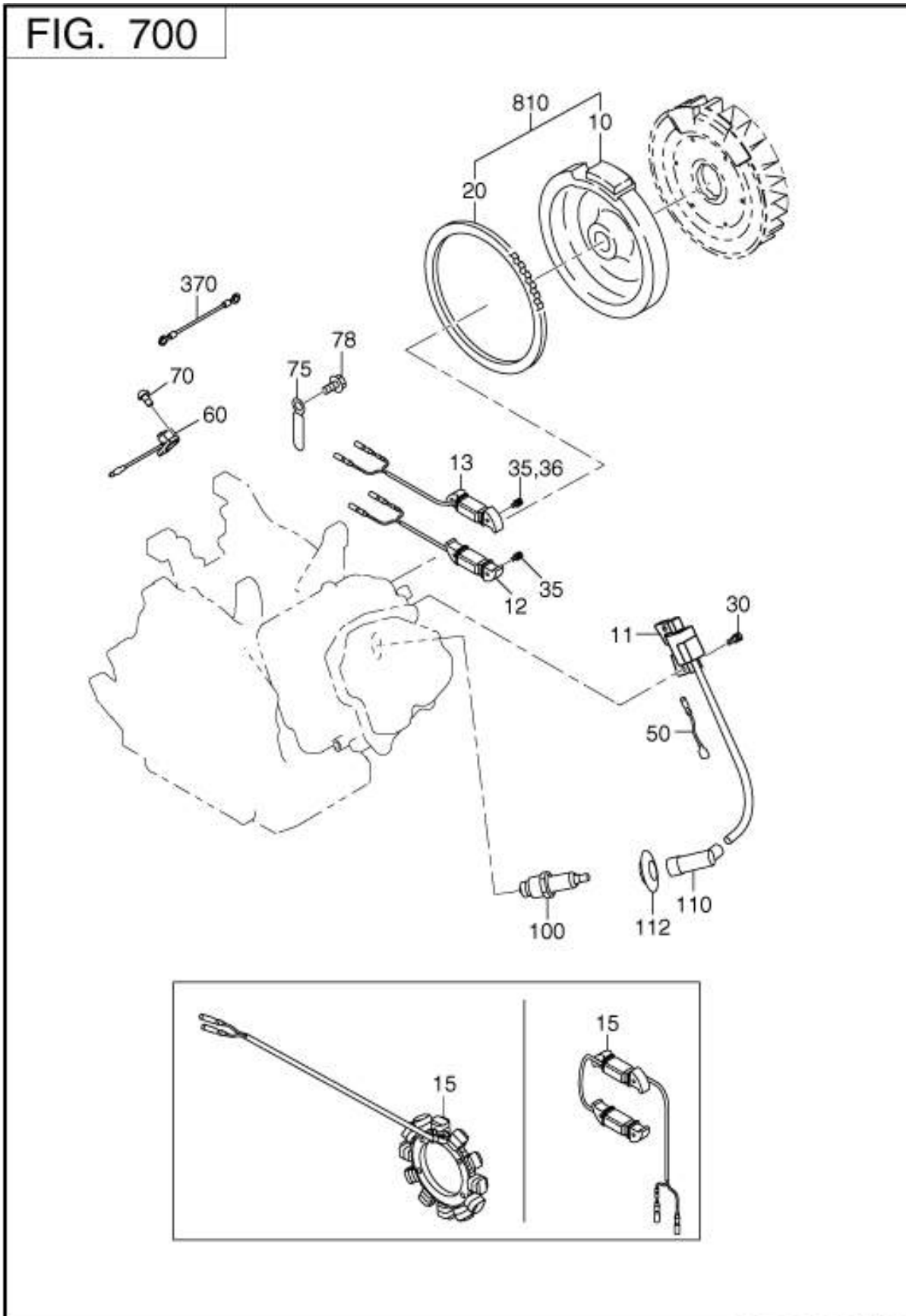
6 FUEL LUBRICANT

FIG. 640



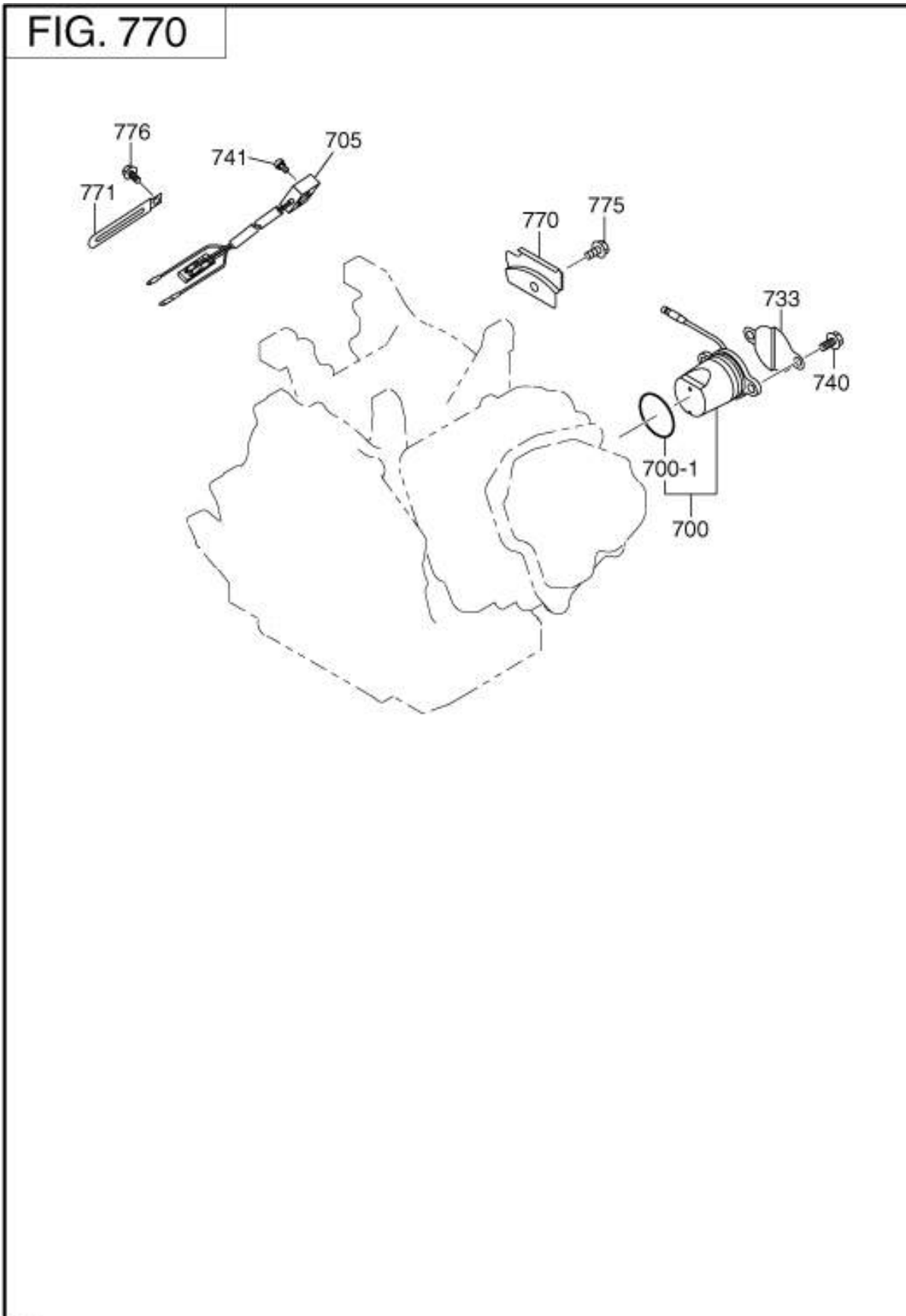
REF.	PART NUMBER	PART NAME	CODE NO.	QTY	REMARKS	INTERCHANGE
210	20B-62320-20	CARBURETOR AY	-	1		
- 1	20B-62535-08	VALVE,THROTTLE	-	1		
- 2	261-62352-08	SCREW,VALVE SET	-	2		
- 3	20B-62526-08	VALVE,CHOKE	-	1		
- 5	20B-62427-08	JET,SLOW (#59)	-	1		
- 8	20B-62533-08	SHAFT,CHOKE	-	1		
- 11	20B-62531-08	SHAFT CP THROTTLE	-	1		
- 14	20B-62500-08	VALVE AY FLOAT	-	1		
- 15	263-62515-08	PIN,FLOAT	-	1		
- 16	20B-62550-08	CHAMBER CP,FLOAT	-	1		
- 19	20B-62505-08	FLOAT AY	-	1		
- 22	20B-62415-08	JET,MAIN (#115)	-	1	#115	
- 28	20B-62354-08	SCREW,DRAIN	-	1		
- 40	20B-62353-08	SCREW,THRO.ADJUST	-	1		
- 41	20B-62445-08	SPRING,THRO.ADJUST	-	1		
- 57	20B-62453-08	SCREW	-	2		
- 62	258-62554-08	FILTER,AIR	-	1		
-102	226-62580-08	FILTER,AIR	-	1		
-158	20B-62542-08	O RING	-	1		
-165	20B-62541-08	O RING	-	1		
-166	20B-62540-08	O RING SPACER	-	1		
-167	20B-62520-08	SPACERCARB'	-	1		

7 ELECTRIC DEVICE



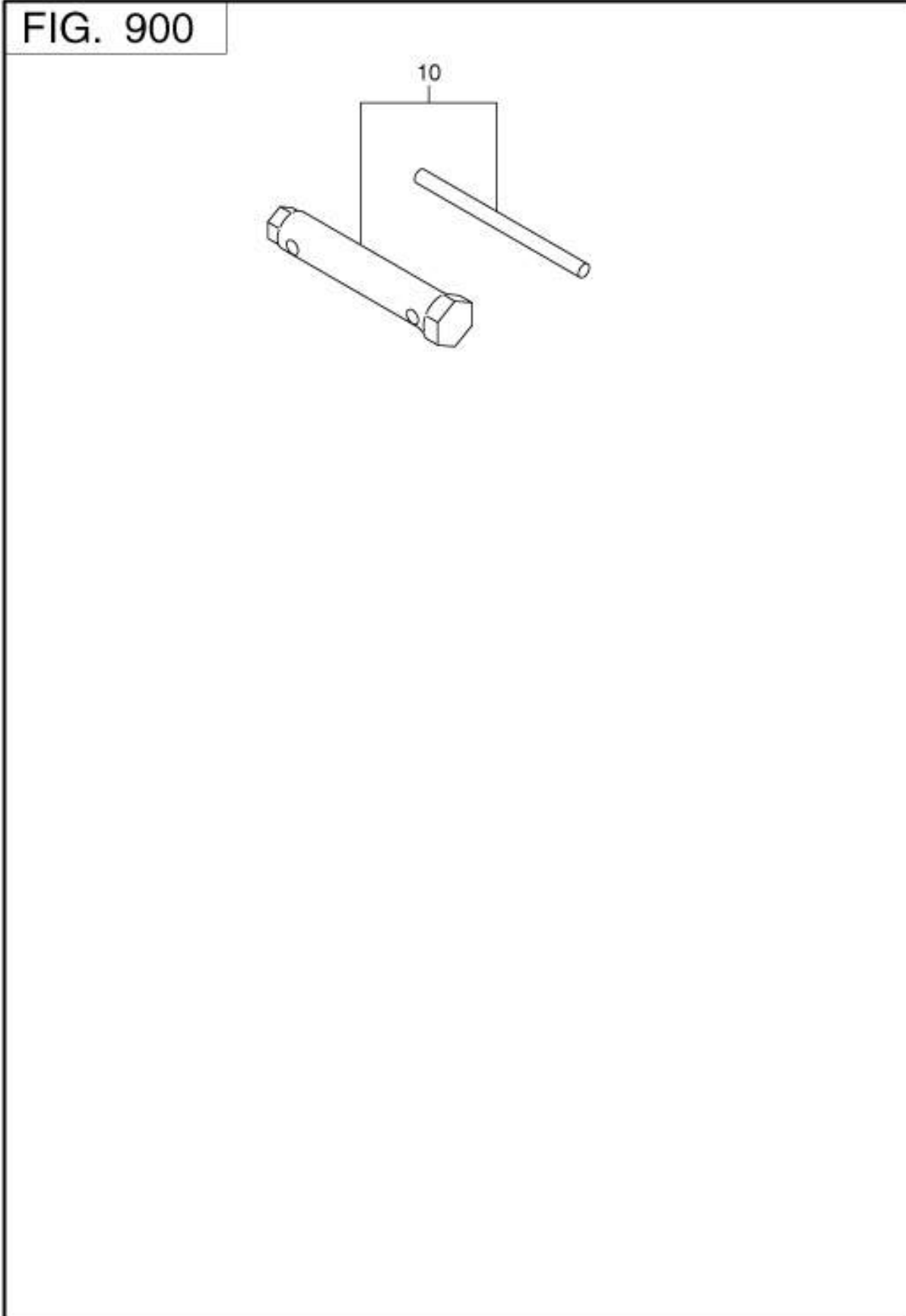
REF.	PART NUMBER	PART NAME	CODE NO.	QTY	REMARKS	INTERCHANGE
10	20B-79230-H1	FLYWHEEL CP	-	1		
11	20B-79430-H1	IGNITION COIL CP	-	1		
30	001-14063-00	BOLT AND WASHER AY	-	2	M6X1. 0X30L W/W, SW	
50	20B-73101-01	WIRE 1 CP	-	1		
75	214-79006-01	CLAMP CP	-	1	5DXM6X12BX0. 4T	
78	011-00600-10	FLANGE BOLT	-	1	M6X1. 0X14DX8L	
100	X65-01430-50	SPARK PLUG	-	1	TORCH E6RC	
110	065-50003-11	SPARK PLUG CAP	-	1		

8 ELECTRIC DEVICE



REF.	PART NUMBER	PART NAME	CODE NO.	QTY	REMARKS	INTERCHANGE
700	279-76301-51	OIL SENSOR CP	-	1		279-76301-61
- 1	277-76350-08	O RING	-	1	P30	
705	KU3-11077-01	FLOAT C/U CP11	-	1		KU3-11077-11
740	001-04061-40	FLANGE BOLT	-	2	M6X1. 0X13DX14L	
741	015-00400-90	TAPPING SCREW	-	2	M4X12L	
770	20B-75501-13	WIRE CLAMP	-	1		
775	015-20600-50	TAPPING BOLT	-	1	M6X13DX10L	

9 ACCESSORIES LABEL



REF.	PART NUMBER	PART NAME	CODE NO.	QTY	REMARKS	INTERCHANGE
10	20B-90301-J0	ACCESSORY TOOL KIT	-	1		

10 TANDOKU HASSO BUHIN

FIG. 1000

(Illustrations are excluded.)

(**FIG 1000**は単独発送部品につき、
イラストは省略します。)

REF.	PART NUMBER	PART NAME	CODE NO.	QTY	REMARKS	INTERCHANGE
1	073-20058-60	LABEL(WARNING)	-	1		