

# **PARTS MANUAL**

**Model**

**RGX3600 - CSA  
Generator**

PUB-GP6429  
Rev. 01/08

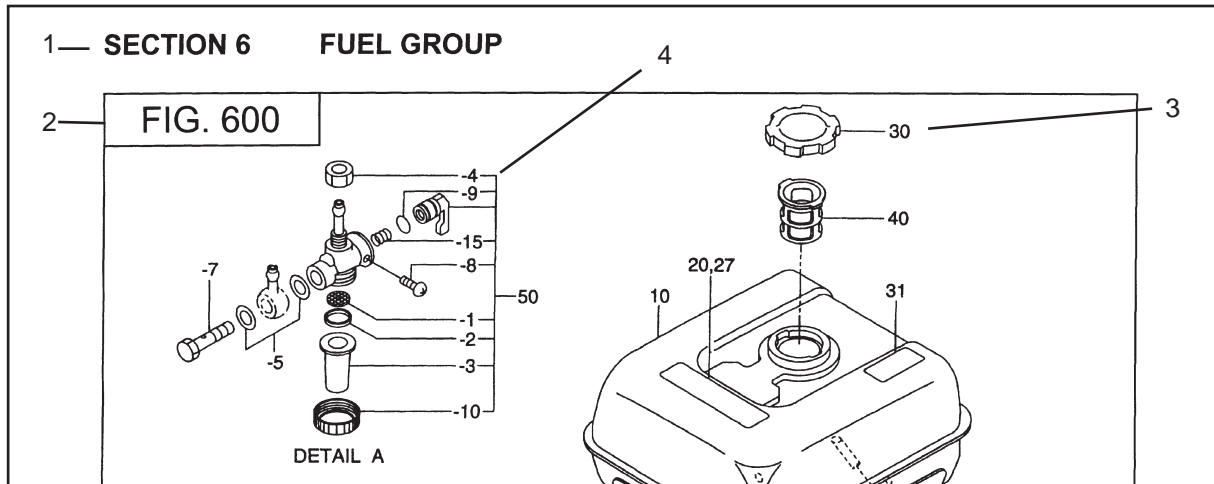
# **Robin America, Inc.**

940 Lively Blvd. • Wood Dale, IL 60191 • Phone: 630-350-8200 • Fax: 630-350-8212  
e-mail: [sales@robinamerica.com](mailto:sales@robinamerica.com) • [www.robinamerica.com](http://www.robinamerica.com)

© Copyright 2006 Robin America, Inc.



# MANUAL LAYOUT



1—SECTION 6 FUEL GROUP

REF.	PART NO.	DESCRIPTION	QTY.	REMARKS	FROM-TO	FIG.
10	267-60103-01	FUEL TANK CP	1	YD, YS TYPE, BLACK		600
	267-60101-01	FUEL TANK CP	1	YELLOW		600
27	073-20039-00	LABEL, WARNING	1	YD, YS TYPE		600
30	043-04300-15	FUEL TANK CAP CP	1			600
31	267-95201-03	LABEL, EMISSION	1	YD, YS TYPE		600
40	064-13600-10	FUEL FILTER	1			600
50	064-20021-01	FUEL STRAINER AY	1			600
-1	064-20002-20	FILTER	1			600
-2	064-20002-30	GASKET	1			600
-3	064-20019-10	CUP	1			600

- SECTION NAME** Parts are broadly classified according to their functions. Refer to the Group Index (table of contents) for respective section name.
- FIG. No.** The FIG. number indexes the reference and part numbers to the illustration. Figure numbers that vary only in the tens place (i.e.: 700 and 710) are in a group of the same section (i.e.:Electrical Device Group).
- REF. No .** The Reference number identifies the part illustration with the corresponding part number in the part list.
- SUBASSEMBLY** SUBASSEMBLY parts of part assembly are listed below the assembly part. The subassembly part reference number is indicated by the number led by "-" such as "-1", "-2".
- PART NUMBER** It is the number assigned for sales unit. Use the PART No. when making an order.
- DESCRIPTION** It is designation of the part.
- QTY.** Quantity of each part used for each product.
- REMARKS** This gives a distinctive feature and/or a supplementary comment for the type, the specification, and the part concerned. It also shows part number(s) interchangeable for the part.
- FROM-TO** This section shows the CODE No. to indicate the history of progress in which improved parts have been introduced in the product. The FROM-TO CODE No. helps to identify PART No. being employed in the product concerned. See the examples below:
  - The part is used in the product irrespective of CODE No.
  - 2101- The part is used in the products with CODE No. of 2101 and after this number.
  - 2100 The part is used in the products with CODE No. of 2100 and before this number.

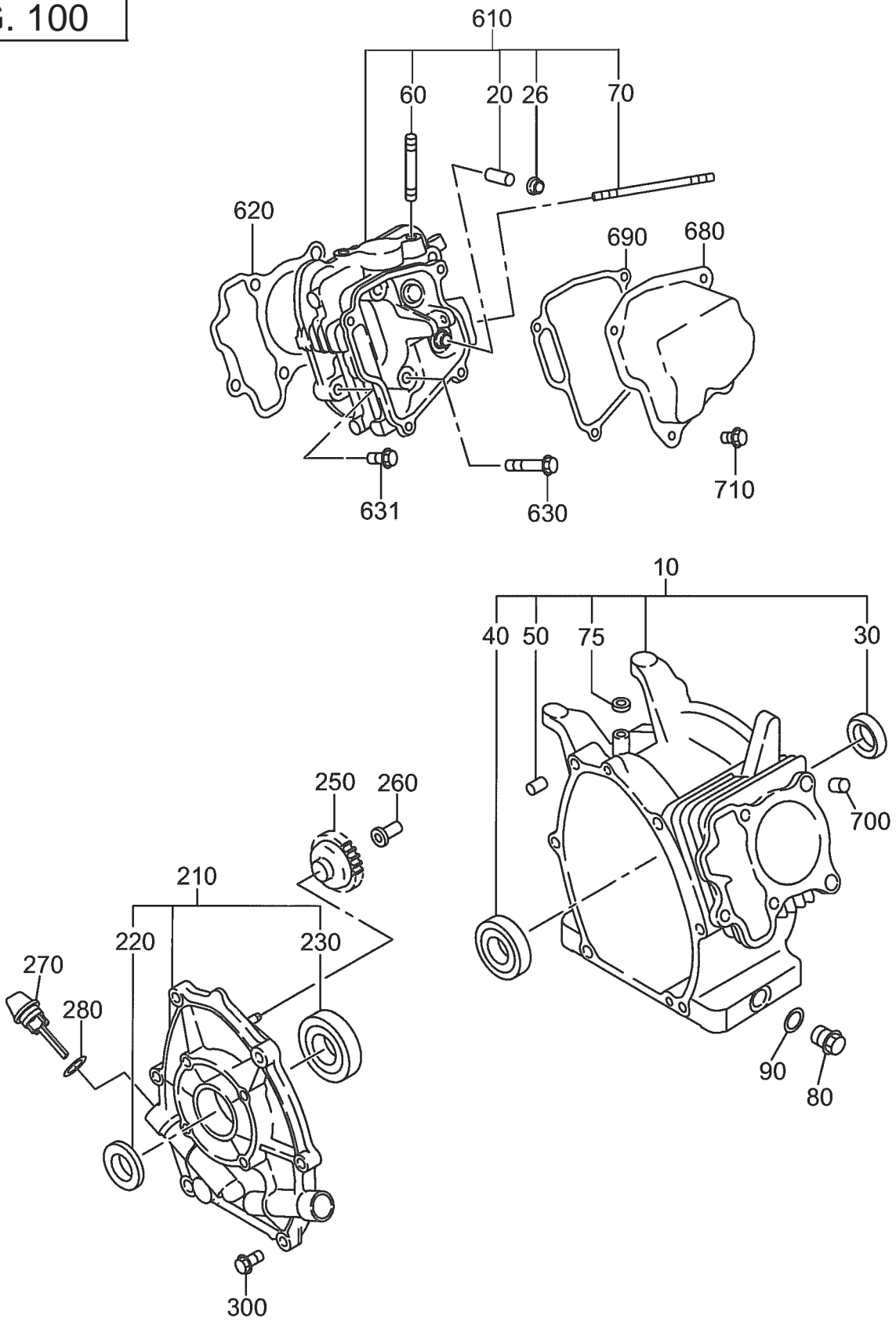
# GROUP INDEX

Group Name	Page
CRANKCASE .....	6
CRANKSHAFT, PISTON .....	8
INTAKE, EXHAUST .....	10
GOVERNOR, OPERATION.....	12
COOLING, STARTING .....	14
ELECTRIC DEVICE .....	16
ENGINE.....	18
GENERATOR .....	20
BASE, FRAME .....	22
CONTROL.....	26
COVER.....	28
FUEL TANK .....	30
ACCESSORY GROUP .....	32

INDEX OF DESCRIPTION SYMBOLS			
SYMBOL	DESCRIPTION	SYMBOL	DESCRIPTION
AY .....	ASSEMBLY	P= .....	PITCH (in mm)
CP.....	COMPLETE	P.T.O. (PTO) .....	POWER TAKE OFF
EX.....	EXPORT (from Japan)	REF.....	REFERENCE
FIG.....	FIGURE	R.H. (RH).....	RIGHT HAND SIDE
FR.....	FRONT	RR. ....	REAR
" .....	INCH	STD. ....	STANDARD
INCL. ....	INCLUDE	SW.....	SWITCH
-L.....	LITER	T= .....	THICKNESS (in mm)
L= .....	LENGTH (in. mm)	UN .....	UNIT
L.H. (LH).....	LEFT-HAND SIDE	U.S.....	UNDER SIZE
MECH.....	MECHANICAL	~V .....	VOLTAGE
NO (NON).....	NONE	~W .....	WATT
OPT.....	OPTIONAL	W/ .....	WITH
O.S. ....	OVER SIZE	W/O .....	WITHOUT

SECTION 1 CRANKCASE GROUP

FIG. 100

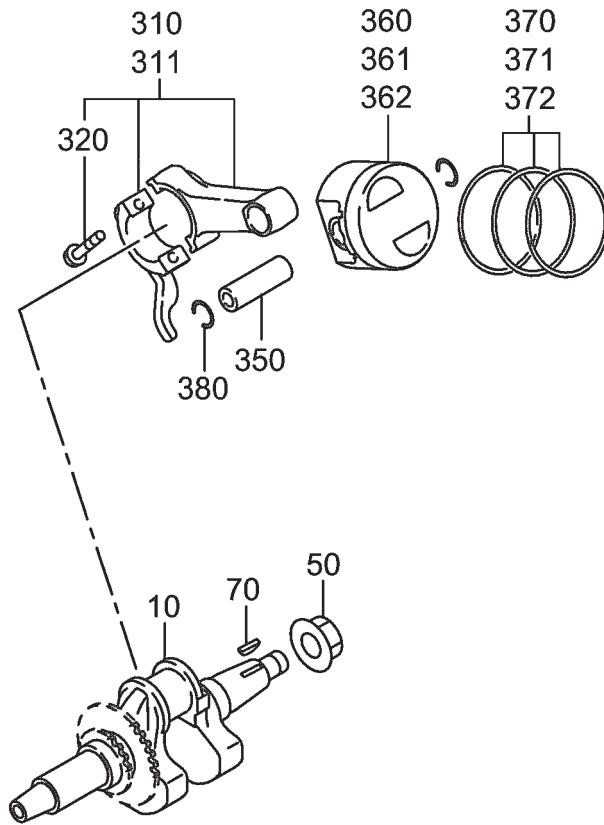


**SECTION 1 CRANKCASE GROUP**

REF	PART NO	DESCRIPTION	QTY	REMARKS	FROM - TO	FIG
10	278-10102-41	CRANKCASE CP	1			100
20	237-14202-03	VALVE GUIDE	2			100
26	277-16010-01	STEM SEAL	1			100
30	044-02502-00	OIL SEAL	1			100
40	060-02800-21	BALL BEARING	1			100
50	277-15011-03	PIPE KNOCK	2			100
60	010-50802-90	STUD	2			100
70	010-50603-51	STUD	2			100
75	044-00600-20	OIL SEAL	1			100
80	040-11400-30	PLUG	2			100
90	021-11400-20	GASKET	2			100
210	277-11001-31	MAIN BEARING COVER CP	1			100
220	044-02502-10	OIL SEAL	1			100
230	060-02501-40	BALL BEARING	1			100
250	277-45004-J1	GOVERNOR GEAR CP	1			100
260	277-41901-03	GOVERNOR SLEEVE	1			100
270	277-63601-23	OIL GAUGE	2			100
280	021-31600-20	GASKET	2			100
300	001-04083-50	FLANGE BOLT	6			100
610	278-13002-11	CYLINDER HEAD CP	1			100
620	277-15001-23	GASKET, HEAD	1			100
630	011-00802-40	FLANGE BOLT	4			100
631	011-00803-10	FLANGE BOLT	1			100
680	277-15503-01	ROCKER COVER CP	1			100
690	277-16001-13	GASKET, ROCKER COVER	1			100
700	277-15011-03	PIPE KNOCK	2			100
710	011-00600-20	FLANGE BOLT	4			100
960	277-99001-27	GASKET SET	1			100

SECTION 2 CRANKSHAFT, PISTON GROUP

FIG. 200

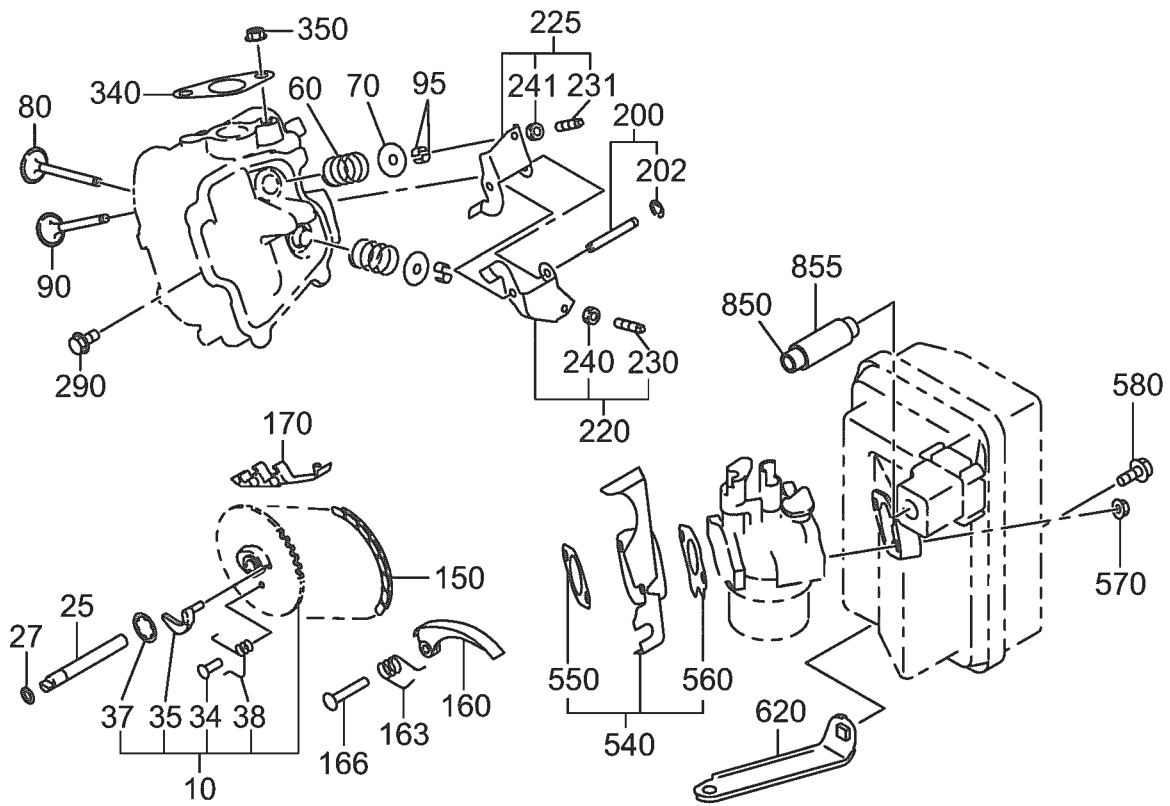






SECTION 3 INTAKE, EXHAUST GROUP

FIG. 300

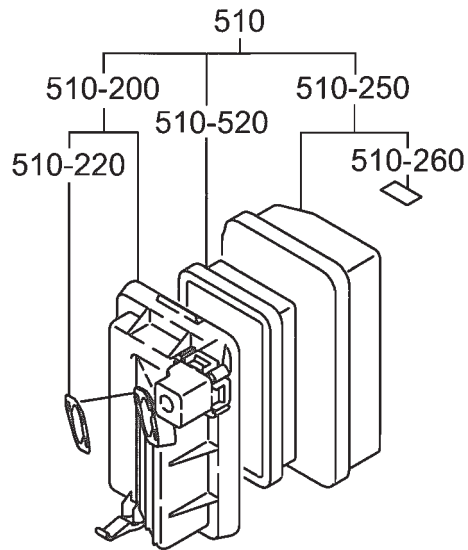


### SECTION 3 INTAKE, EXHAUST GROUP

REF	PART NO	DESCRIPTION	QTY	REMARKS	FROM - TO	FIG
10	278-31601-31	CAMSHAF TCP	1			300
25	277-35101-03	PIN, CAMSHAFT	1			300
27	024-00600-10	O RING	1			300
34	277-38601-03	PIN, SPRING	1			300
35	277-36401-03	RELEASE LEVER	1			300
37	277-36501-03	CLIP	1			300
38	279-38701-13	RETURN SPRING	1			300
60	279-33601-03	VALVE SPRING	2			300
70	269-33701-03	SPRING RETAINER	2			300
80	277-33401-H3	INTAKE VALVE	1			300
90	277-33501-H3	EXHAUST VALVE	1			300
95	132-10KA0-31	COLLET VALVE	4			300
150	278-35601-11	TIMING CHAIN	1	92 Link		300
160	277-36911-03	TENTIONER	1			300
163	277-37101-03	SPRING, TENTIONER	1			300
166	277-36902-03	PIN, TENTIONER	1			300
170	277-36913-13	CHAIN GUIDE	1			300
200	277-35002-01	PIN, ROCKER	1			300
202	003-13050-00	CLIP	1			300
220	277-36201-00	ROCKER ARM, INTAKE	1			300
225	277-.6202-00	ROCKER ARM, EXHAUST	1			300
230	014-90500-20	ADJUST SCREW	1			300
231	014-90500-20	ADJUST SCREW	1			300
240	017-00500-30	NUT	1			300
241	017-00500-30	NUT	1			300
290	011-00600-20	FLANGE BOLT	1			300
340	277-35201-13	GASKET, MUFFLER	1			300
350	980-20082-80	FLANGE NUT	2			300
540	277-32902-J1	INSULATOR CP	1			300
550	277-35903-J3	GASKET 2, INSULATOR	1			300
560	277-35902-J3	GASKET 1, INSULATOR	1			300
570	002-38060-00	FLANGE NUT	2			300
580	011-00600-50	FLANGE BOLT	1			300
620	278-39001-01	BRACKET, A/C	1			300
850	277-32762-08	BREATHER PIPE	1			300
855	277-69001-03	SPONGE PROTECTOR	1			300

SECTION 3 INTAKE, EXHAUST GROUP

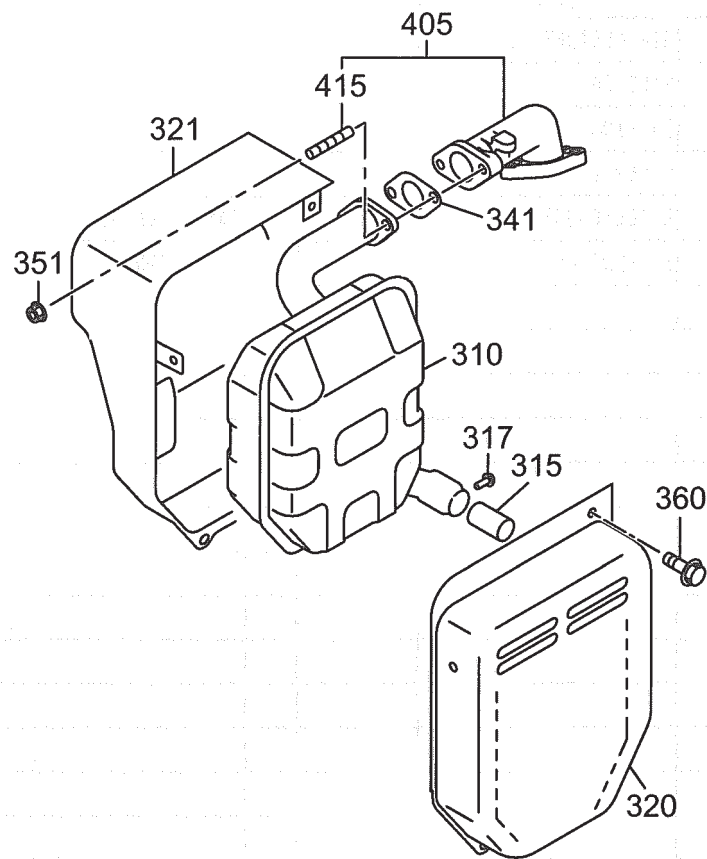
FIG. 310





SECTION 3 INTAKE, EXHAUST GROUP

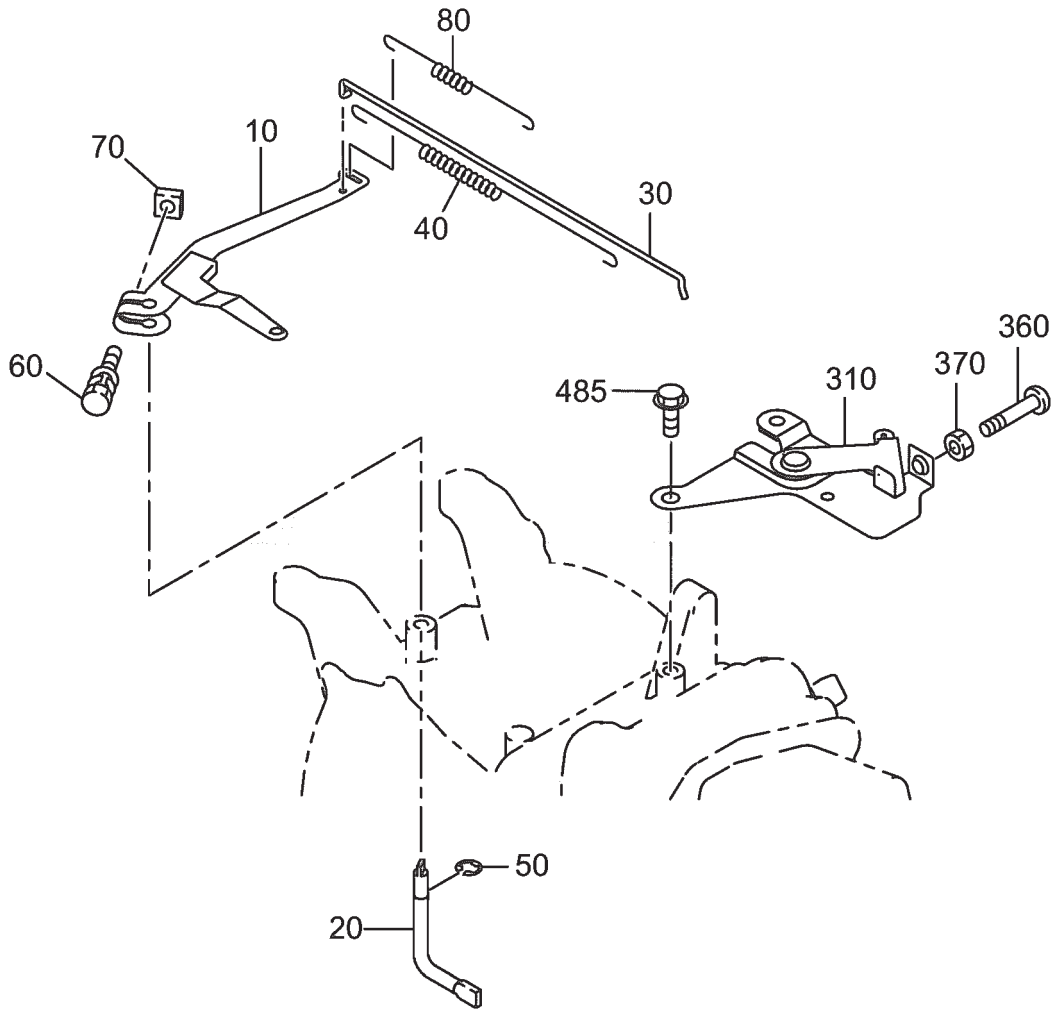
FIG. 330





SECTION 4 GOVERNOR, OPERATION GROUP

FIG. 400

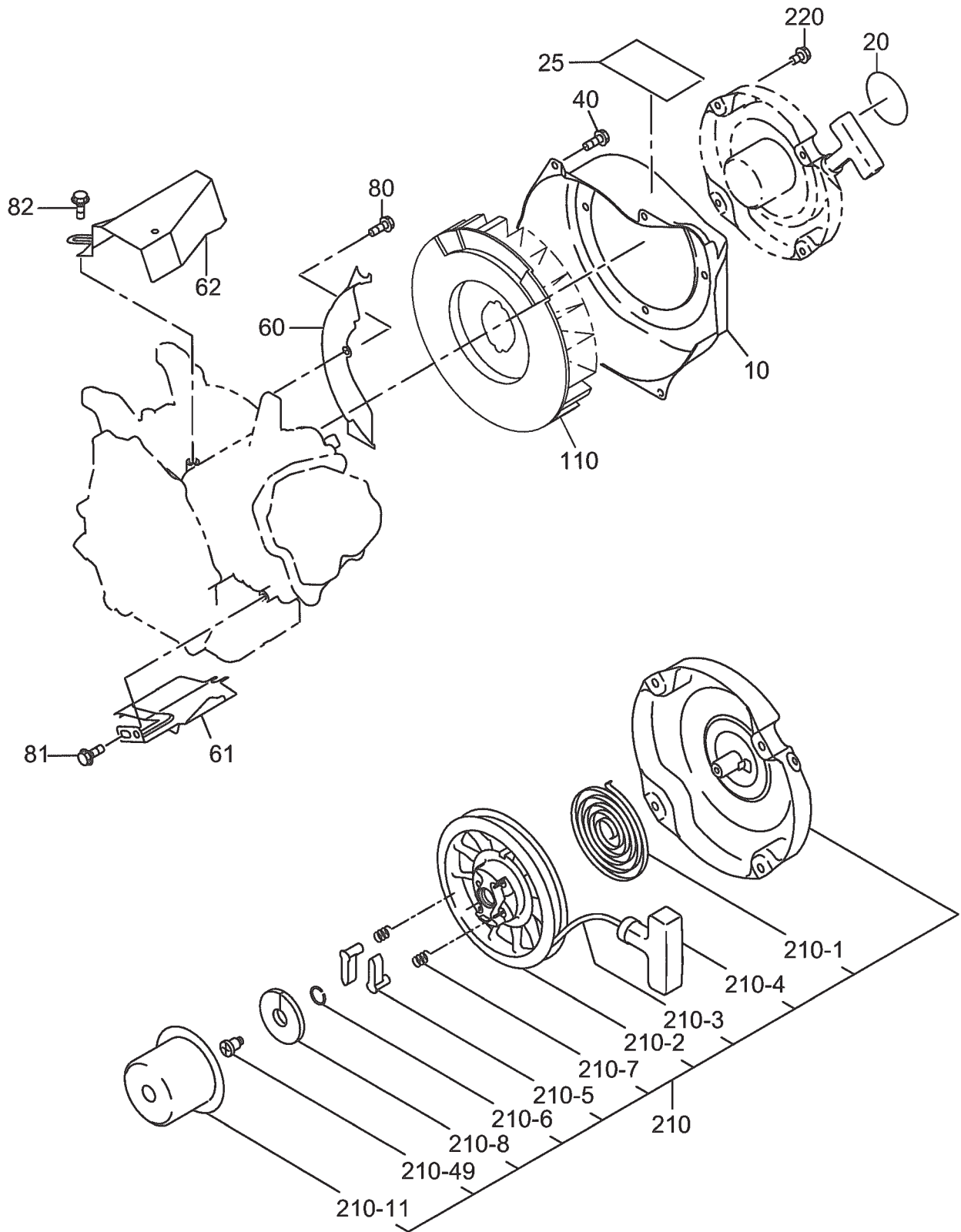






SECTION 5 COOLING, STARTING GROUP

FIG. 500

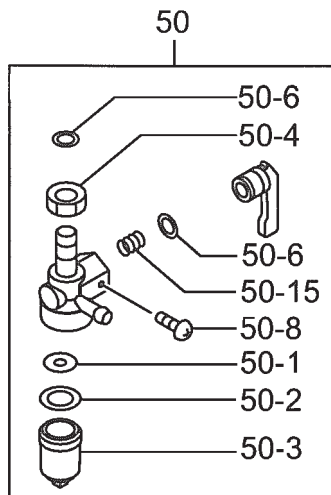
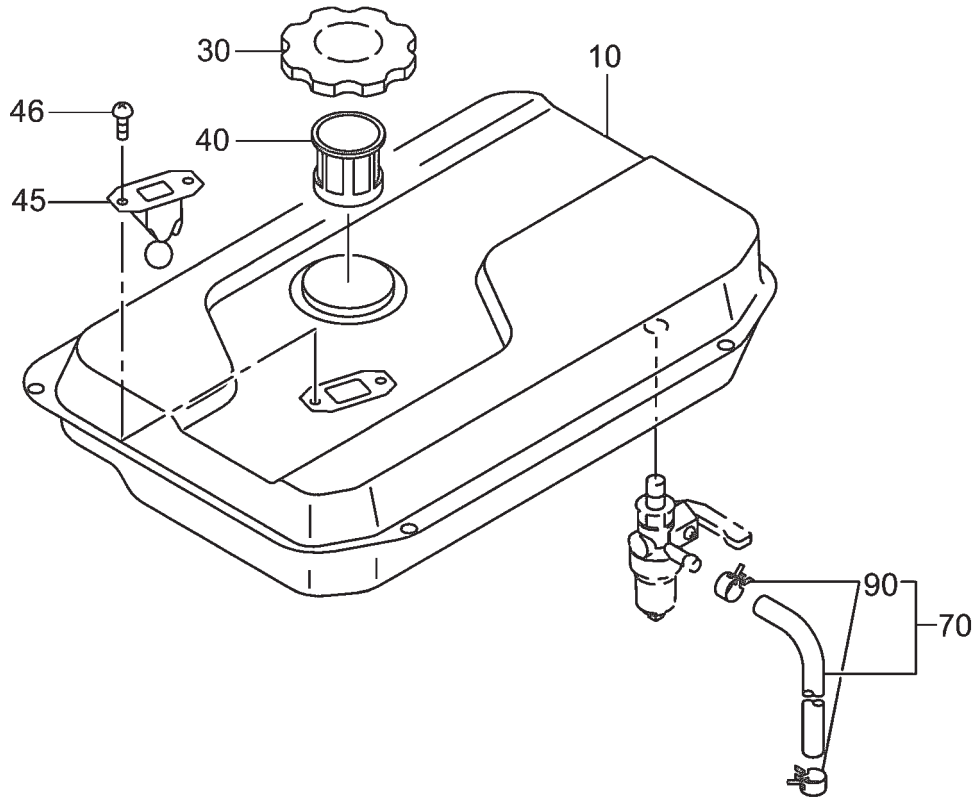


## SECTION 5      COOLING, STARTING GROUP

REF	PART NO	DESCRIPTION	QTY	REMARKS	FROM - TO	FIG
10	278-51226-01	BLOWER HOUSING CP	1			500
20	073-20054-70	LABEL, TRADEMARK	1			500
25	073-20051-81	LABEL, WARNING	1			500
40	011-00600-30	FLANGE BOLT	4			500
60	277-52711-21	BAFFLE 1, CASE	1			500
61	277-52702-03	BAFFLE 2, HEAD	1			500
62	278-55001-11	DUCT, CASE CP	1			500
80	001-04061-60	FLANGE BOLT	1			500
81	011-00600-20	FLANGE BOLT	1			500
82	011-00600-20	FLANGE BOLT	3			500
110	278-54101-03	COOLING BLOWER	1			500
210	278-50201-20	RECOIL STARTER AY	1			500
-1	270-50115-08	SPIRAL SPRING	1			500
-2	269-50120-08	REEL	1			500
-3	282-50111-18	STARTER ROPE	1			500
-4	261-50100-08	STARTER KNOB	1			500
-5	270-50125-08	RATCHET	2			500
-6	227-50131-08	FRICTION SPRING	1			500
-7	227-50135-08	RETURN SPRING	2			500
-8	270-50261-08	RATCHET GUIDE	1			500
-11	278-50145-08	STARTER PULLEY	1			500
-49	227-50152-08	SET SCREW	1			500
220	011-00600-10	FLANGE BOLT	4			500

SECTION 6 FUEL, LUBRICANT GROUP

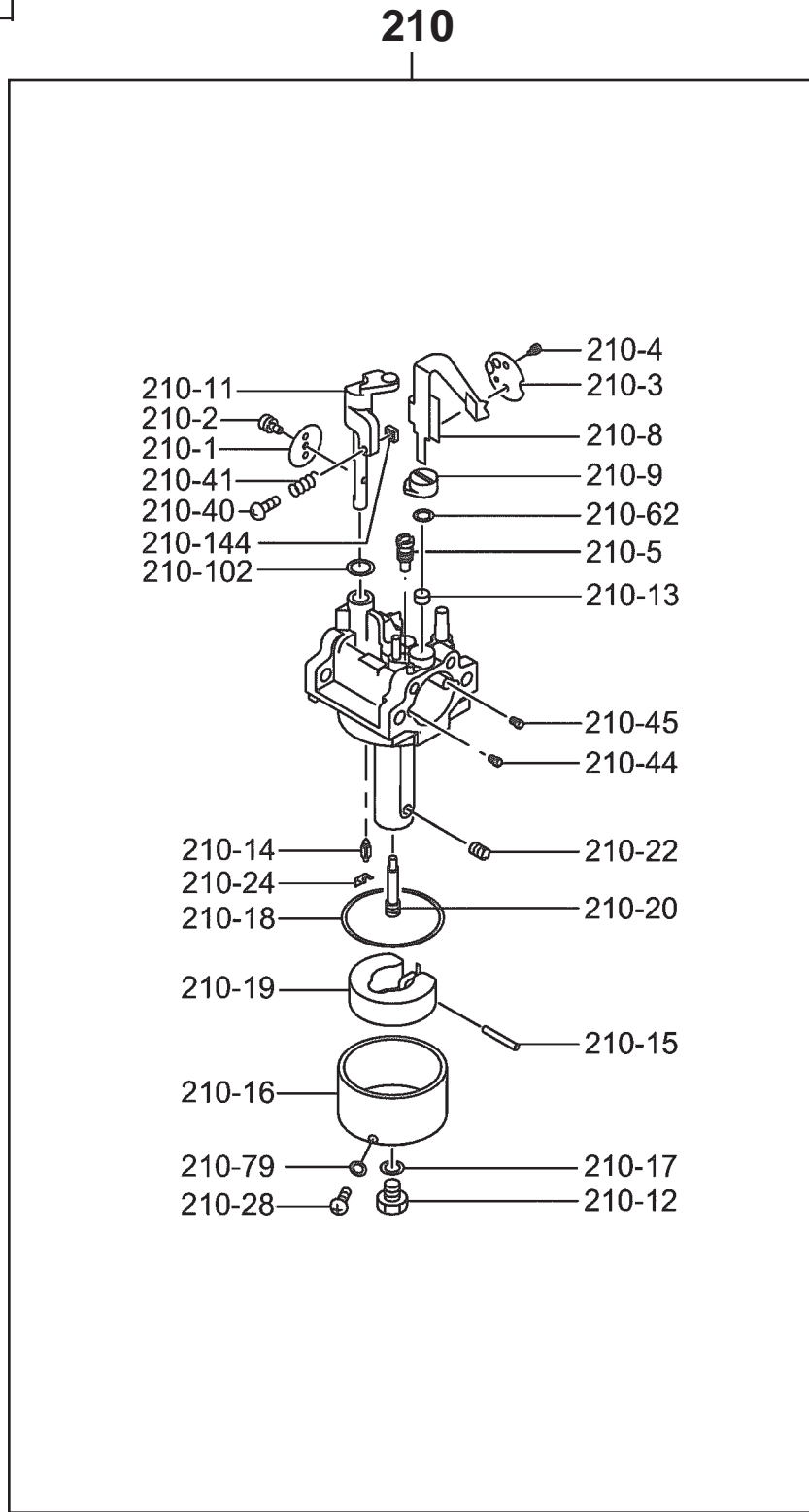
FIG. 600





SECTION 6 FUEL, LUBRICATION GROUP

FIG. 610

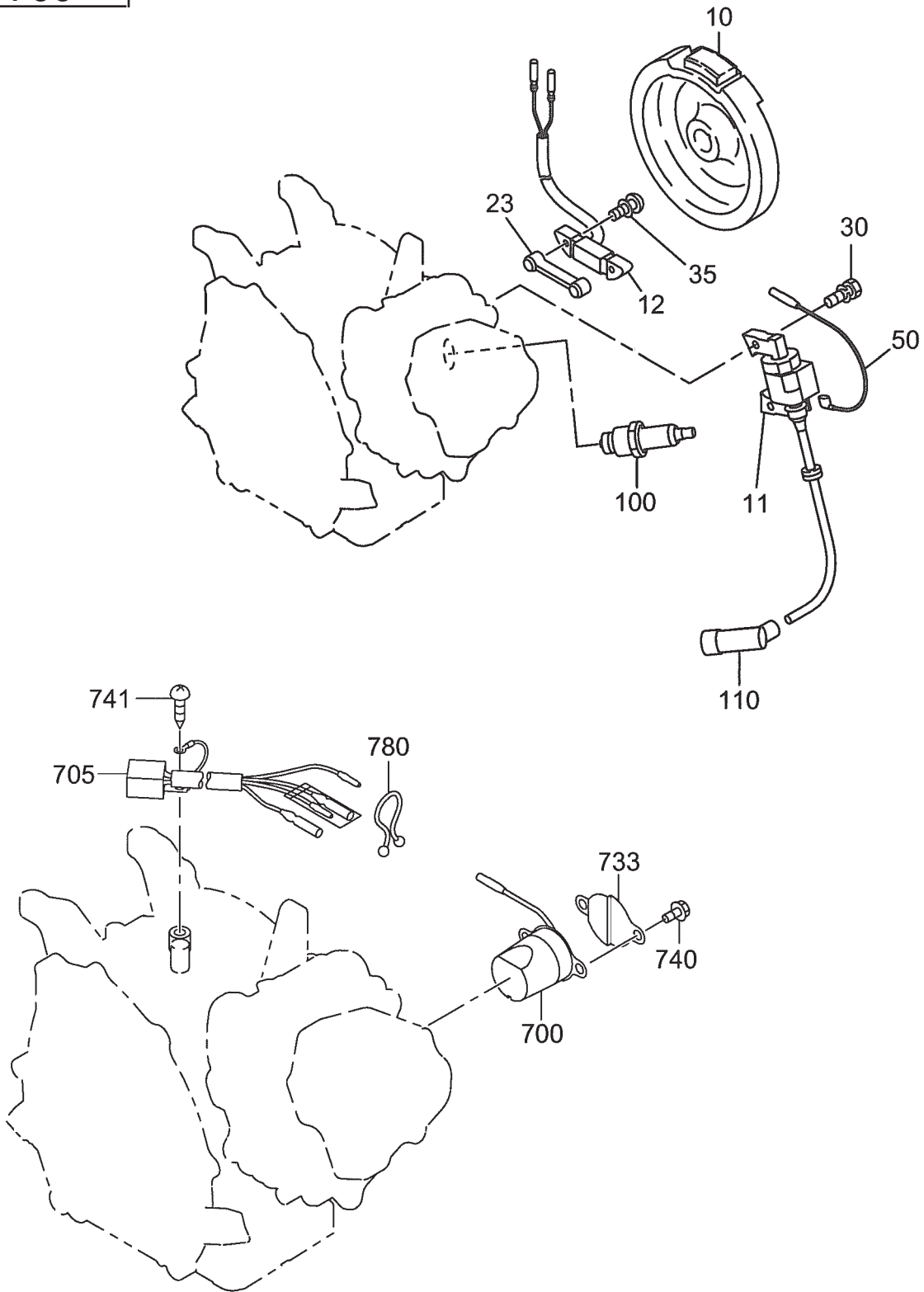


## SECTION 6 FUEL, LUBRICATION GROUP

REF	PART NO	DESCRIPTION	QTY	REMARKS	FROM - TO	FIG
210	278-62314-10	CARBURETOR AY	1			640
-1	277-62535-08	THROTTLE VALVE	1			640
-2	209-62351-08	SCREW	1			640
-3	277-62527-08	VALVE CHOKE	1			640
-4	237-62451-08	SCREW	2			640
-5	278-62420-08	PILOT JET	1			640
-8	277-62522-08	CHOKE LEVER	1			640
-9	277-62570-28	RING	1			640
-11	277-62531-18	THROTTLE SHAFT A	1			640
-12	227-62451-08	BOLT	1			640
-13	277-62571-08	RING	1			640
-14	277-62500-08	NEEDLE	1			640
-15	277-62515-08	PIN	1			640
-16	277-62506-08	FLAOT BODY AY	1			640
-17	214-62450-08	PACKING	1			640
-18	214-62540-08	CHAMBER PACKING	1			640
-19	226-62506-08	FLOAT	1			640
-20	278-62440-08	MAIN NOZZLE	1			640
-22	277-62403-08	MAIN JET	1	#85		640
-24	226-62701-18	CLIP	1			640
-28	277-62360-08	BOLT	1			640
-40	106-62556-08	SCREW	1			640
-41	283-62357-08	SPRING	1			640
-44	106-62411-08	AIR JET	1			640
-45	106-62410-08	AIR JET, PILOT	1			640
-62	236-62680-08	SEAL	1			640
-79	236-62541-08	PACKING	1			640
-102	246-62390-08	SEAL	1			640
-144	277-62553-08	NUT	1			640

SECTION 7 ELECTRIC DEVICE GROUP

FIG. 700

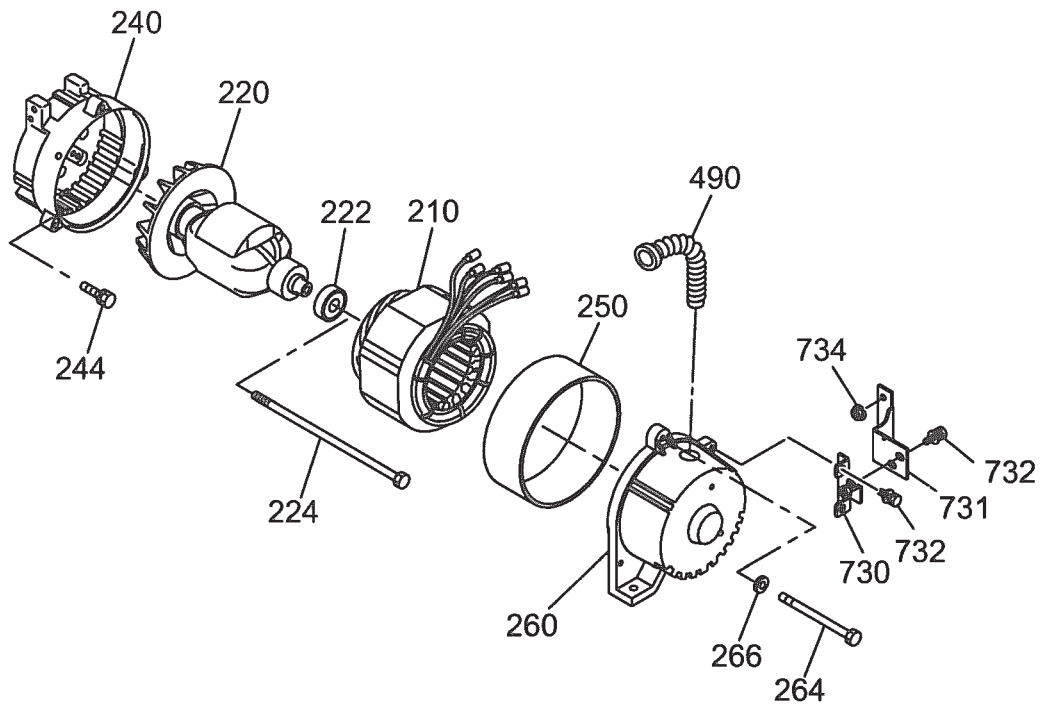






SECTION 8 GENERATOR GROUP

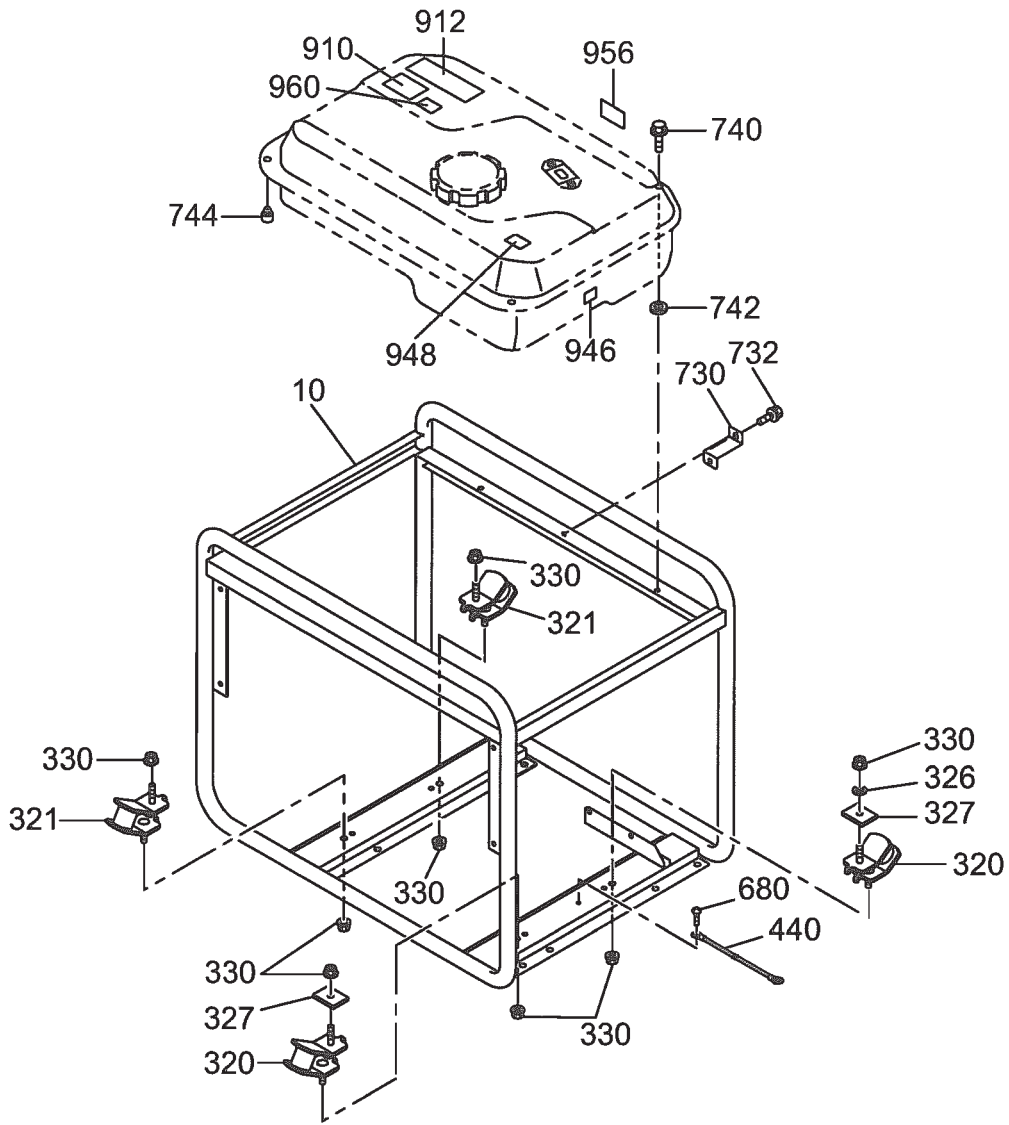
FIG. 2200





SECTION 9 BASE, FRAME GROUP

FIG. 2300

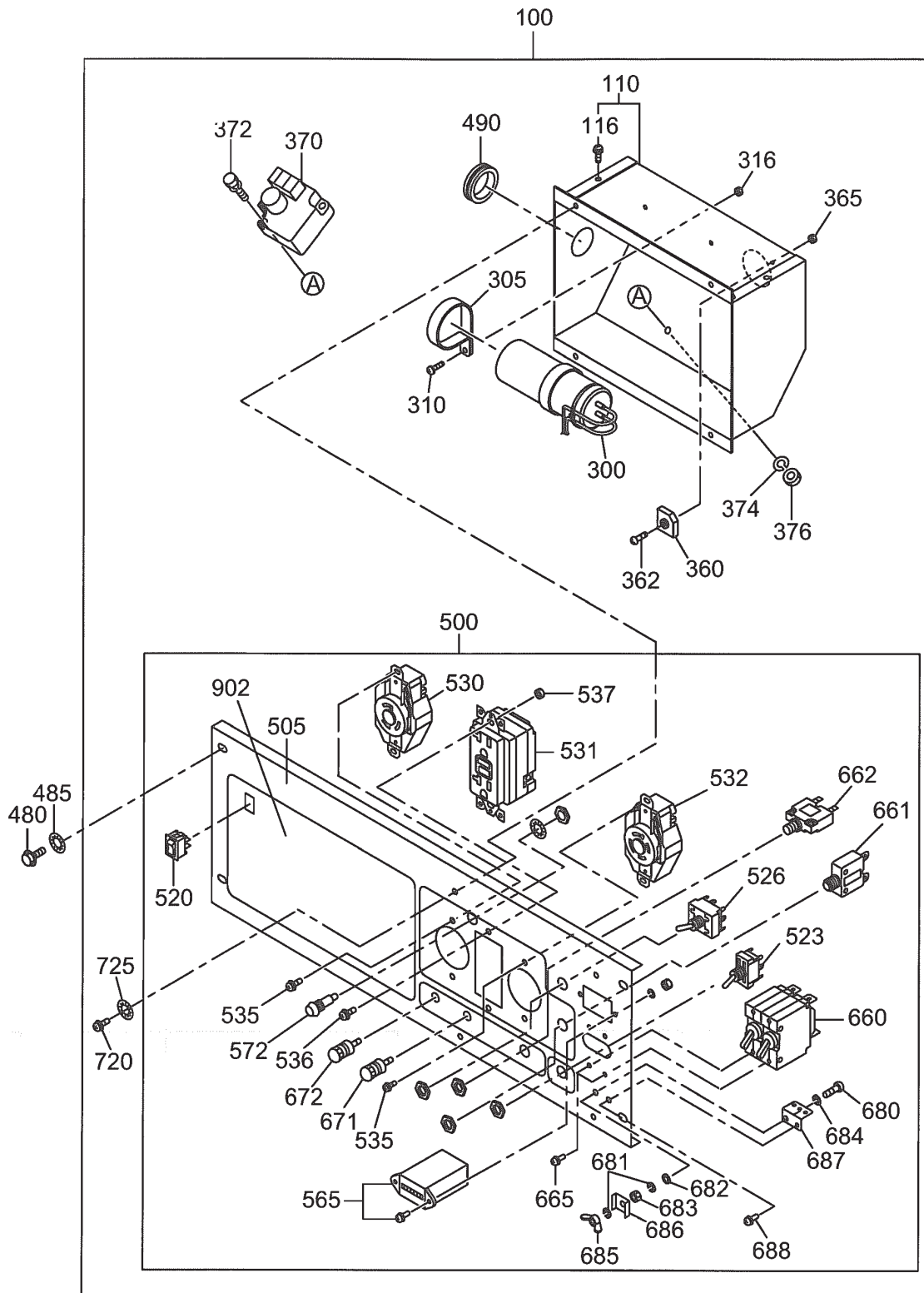


**SECTION 9 BASE, FRAME GROUP**

REF	PART NO	DESCRIPTION	QTY	REMARKS	FROM - TO	FIG
10	35B-61001-01	PIPE FRAME CP	1			2300
320	31C-65001-01	RUBBER MOUNT UN	2			2300
321	377-37001-11	RUBBER MOUNT UN	2			2300
326	003-00080-00	GASKET	1			2300
327	020-00801-40	WASHER	2			2300
330	002-38080-00	FLANGE NUT	8			2300
440	31B-82155-03	EARTH CORD	1			2300
680	392-49987-08	SCREW	1			2300
730	35A-63003-01	MUFFLER BRACKET	1			2300
732	35A-64001-01	FLANGE BOLT	1			2300
740	011-00602-20	FLANGE BOLT	2			2300
742	391-39000-13	RUBBER WASHER	2			2300
744	35C-62003-01	RUBBER MOUNT	2			2300
910	391-63012-03	LABEL, WARNING	1			2300
912	388-93003-03	LABEL, CAUTIN	1			2300
946	073-20050-80	LABEL, FUEL STRAINER	1			2300
948	073-20045-10	LABEL, SYMBOL-TANK	1			2300
956	073-20048-60	LABEL, HOT & GAS	1			2300
960	31G-81027-03	LABEL, NOISE	1			2300

SECTION 9 CONTROL GROUP

FIG. 2400

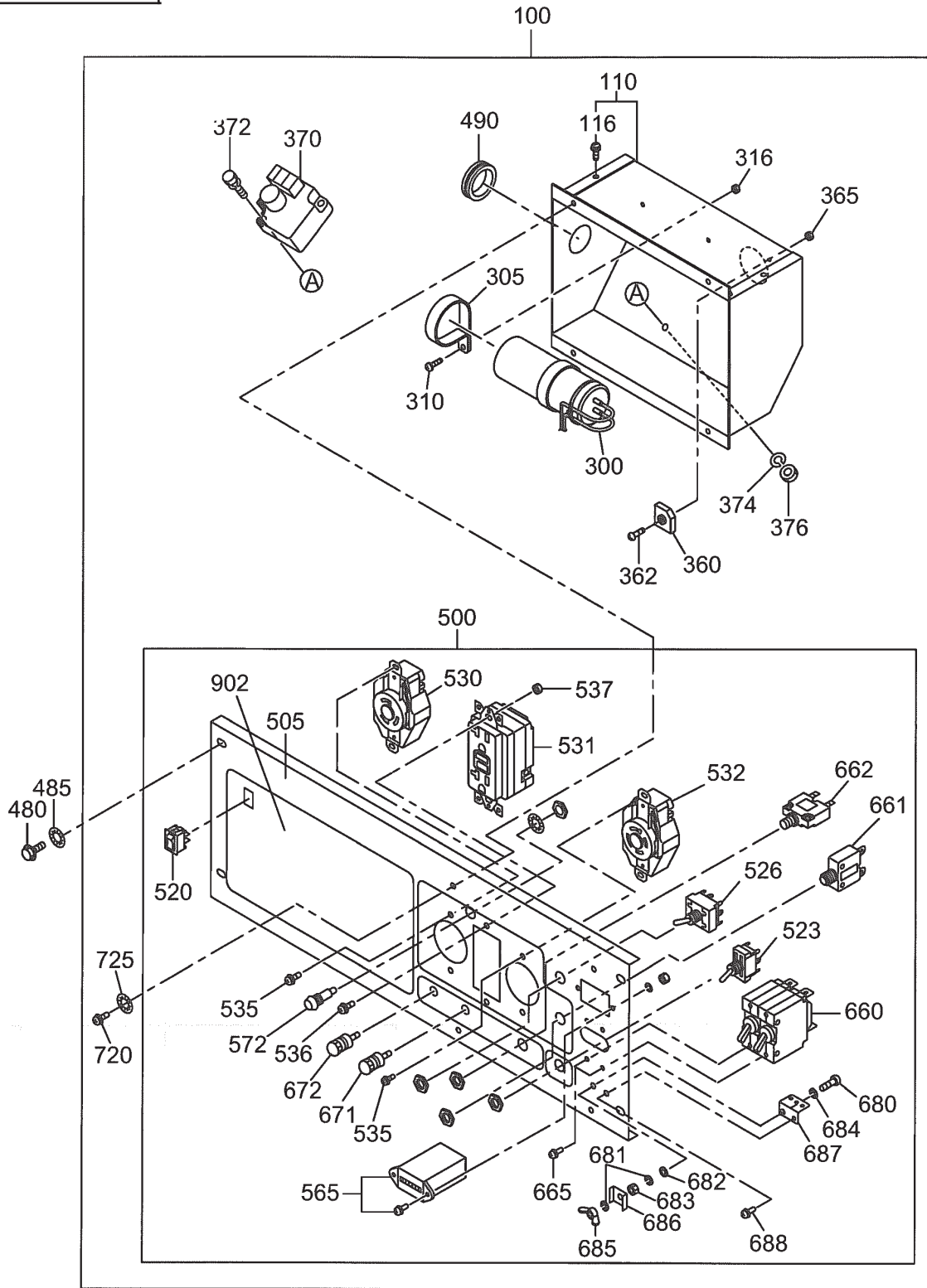


## SECTION 9 CONTROL GROUP

REF	PART NO	DESCRIPTION	QTY	REMARKS	FROM - TO	FIG
100	35B-70111-00	CONTROL BOX AY	1			2400
110	35B-71102-02	CONTROL BOX UN	1			2400
116	359-59929-08	SCREW AND WASHER AY	4			2400
300	35B-72004-03	CONDENSER CP	1			2400
305	30G-47605-08	CONDESER HOLDER	2			2400
310	390-49972-08	SCREW AND WASHER AY	2			2400
316	002-17040-00	NUT	2			2400
360	353-45804-08	DIODE STACK AY	1			2400
362	004-36042-00	SCREW AND WASHER AY	1			2400
365	002-17040-00	NUT	1			2400
370	KU3-11015-01	IDLE C/U CP	1			2400
372	004-35062-00	SCREW AND WASHER AY	2			2400
374	003-20060-00	SPRING WASHER	2			2400
376	002-17060-00	NUT	2			2400
480	35C-72014-03	FLANGE BOLT	4			2400
485	35C-72013-03	ROCK WASHER	2			2400
490	31H-75009-03	GROMMET	1			2400
500	35B-70211-00	PANEL A AY	1			2400
505	35B-71211-02	PANEL CP	1			2400
520	35A-72002-03	ROCKER SWITCH	1			2400
523	389-45671-08	SWITCH AY	1			2400
526	31D-73009-03	SWITCH AY	1			2400
530	35B-72002-03	AC CONCENT	1	AC 250V 15A		2400
531	35C-72008-03	AC RECPTACLE	1			2400
532	35B-72003-03	AC RECPTACLE	1	250V/30A		2400
535	31C-79001-03	SCREW AND WASHER AY	4			2400
536	351-49920-08	SCREW AND WASHER AY	2			2400
537	002-37040-00	FLANGE NUT	2			2400
565	393-40651-08	HOUR METER	1	60HZ		2400
572	31H-75006-03	PILOT LAMP	1	Red		2400
660	35B-72005-03	CIRCUIT BREAKER	1			2400
661	31G-75024-03	BREAKER	1			2400
662	31G-75027-03	BREAKER	1			2400
665	31B-79011-03	SCREW AND WASHER AY	4			2400
671	363-45701-08	TERMINAL BOLT	1	Red 20A		2400
672	363-45700-08	TERMINAL BOLT	1	Black 20A		2400
680	35C-72011-03	SCREW	1			2400
681	332-00050-08	SPRING WASHER	2			2400
682	353-49903-08	WASHER	1			2400
683	353-49902-08	NUT	1			2400
684	381-59950-08	LOCK WASHER	1			2400
685	353-49901-08	WING NUT	1			2400
686	31D-79002-03	CAP WASHER	1			2400
687	35C-72010-03	EARTH PLATE	1			2400
688	31B-79011-03	SCREW AND WASHER AY	1			2400
720	31B-79012-03	BOLT AND WASHER AY	4			2400

SECTION 9 CONTROL GROUP

FIG. 2400



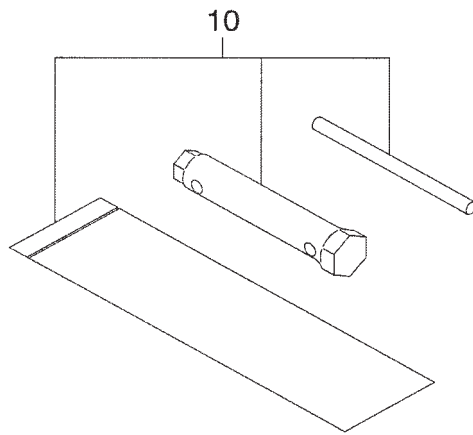


**SECTION 9          CONTROL GROUP**

REF	PART NO	DESCRIPTION	QTY	REMARKS	FROM - TO	FIG
725	35C-72012-03	ROCK WASHER	2			2400
902	35B-71209-02	LABEL, BRAND	1			2400

SECTION 12 ACCESSORIES GROUP

FIG. 2900





PRINTED IN THE USA