

PARTS MANUAL

Model

**RGX4800
Generator**

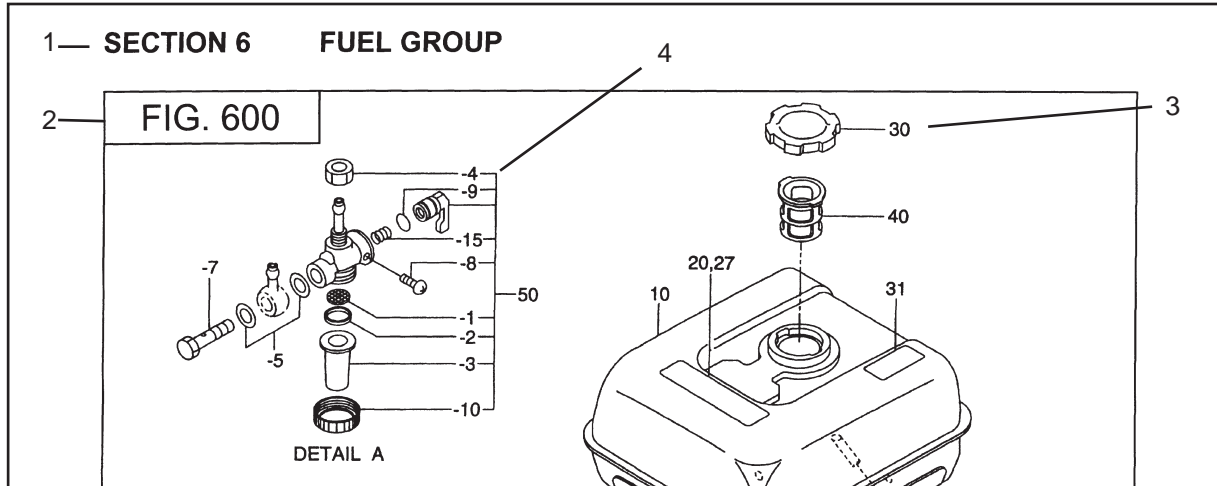
PUB-GP6276
Rev. 08/06

Robin America, Inc.

940 Lively Blvd. • Wood Dale, IL 60191 • Phone: 630-350-8200 • Fax: 630-350-8212
e-mail: sales@robinamerica.com • www.robinamerica.com

© Copyright 2006 Robin America, Inc.

MANUAL LAYOUT



REF.	PART NO.	DESCRIPTION	QTY.	REMARKS	FROM-TO	FIG.
10	267-60103-01	FUEL TANK CP	1	YD, YS TYPE, BLACK		600
	267-60101-01	FUEL TANK CP	1	YELLOW		600
27	073-20039-00	LABEL, WARNING	1	YD, YS TYPE		600
30	043-04300-15	FUEL TANK CAP CP	1			600
31	267-95201-03	LABEL, EMISSION	1	YD, YS TYPE		600
40	064-13600-10	FUEL FILTER	1			600
50	064-20021-01	FUEL STRAINER AY	1			600
-1	064-20002-20	FILTER	1			600
-2	064-20002-30	GASKET	1			600
-3	064-20019-10	CUP	1			600

1. SECTION NAME Parts are broadly classified according to their functions. Refer to the Group Index (table of contents) for respective section name.
2. FIG. No. The FIG. number indexes the reference and part numbers to the illustration. Figure numbers that vary only in the tens place (i.e.: 700 and 710) are in a group of the same section (i.e.:Electrical Device Group).
3. REF. No . The Reference number identifies the part illustration with the corresponding part number in the part list.
4. SUBASSEMBLY SUBASSEMBLY parts of part assembly are listed below the assembly part. The subassembly part reference number is indicated by the number led by "-" such as "-1", "-2".
5. PART NUMBER It is the number assigned for sales unit. Use the PART No. when making an order.
6. DESCRIPTION It is designation of the part.
7. QTY. Quantity of each part used for each product.
8. REMARKS This gives a distinctive feature and/or a supplementary comment for the type, the specification, and the part concerned. It also shows part number(s) interchangeable for the part.
9. FROM-TO This section shows the CODE No. to indicate the history of progress in which improved parts have been introduced in the product. The FROM-TO CODE No. helps to identify PART No. being employed in the product concerned. See the examples below:
 - The part is used in the product irrespective of CODE No.
 - 2101- The part is used in the products with CODE No. of 2101 and after this number.
 - 2100 The part is used in the products with CODE No. of 2100 and before this number.

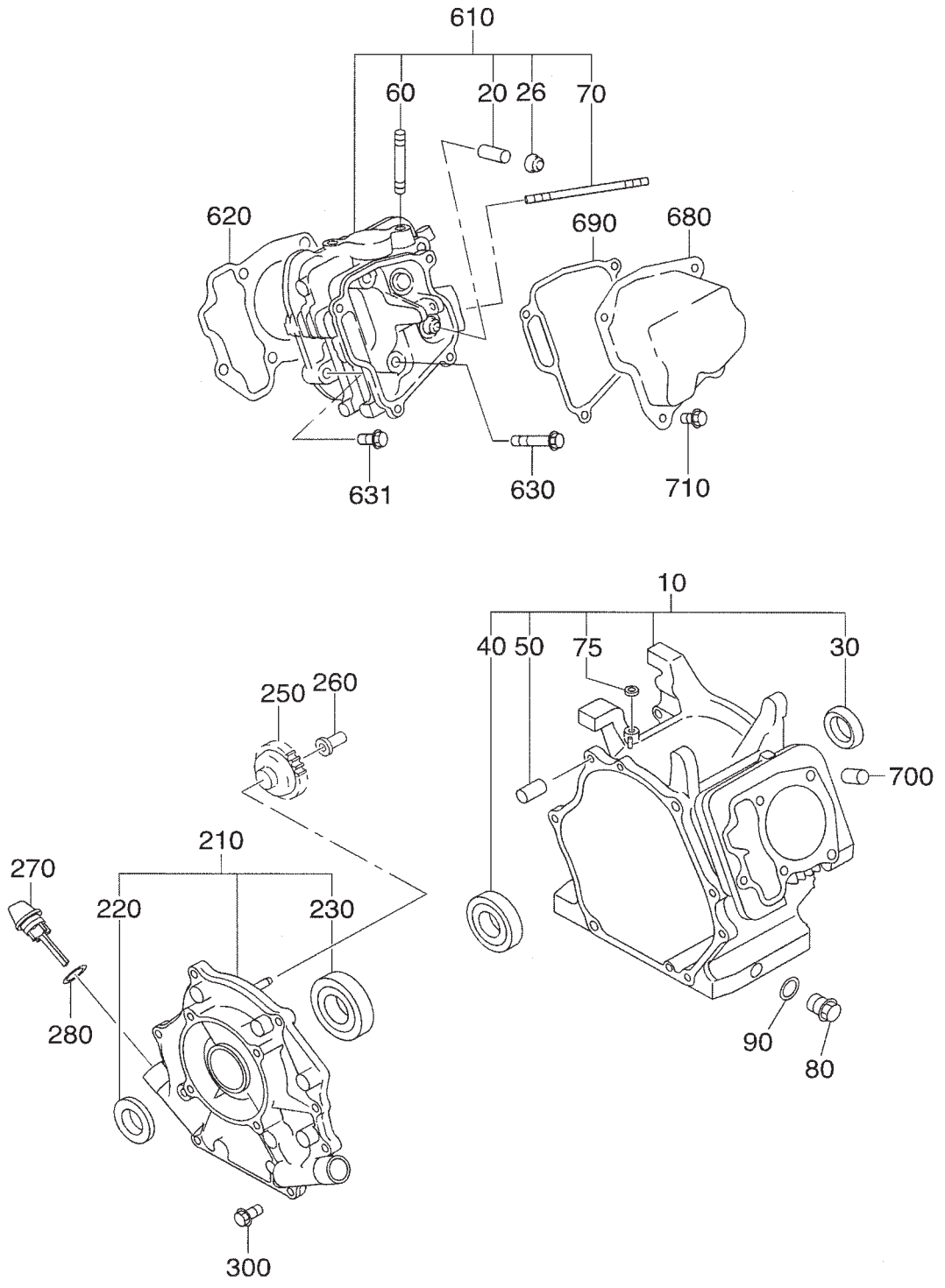
GROUP INDEX

Group Name	Page
CRANKCASE	6
CRANKSHAFT, PISTON	8
INTAKE, EXHAUST	10
GOVERNOR, OPERATION.....	12
COOLING, STARTING	14
ELECTRIC DEVICE	16
ENGINE.....	18
GENERATOR	20
BASE, FRAME	22
CONTROL.....	26
COVER.....	28
FUEL TANK	30
ACCESSORY GROUP	32

INDEX OF DESCRIPTION SYMBOLS			
SYMBOL	DESCRIPTION	SYMBOL	DESCRIPTION
AY	ASSEMBLY	P=	PITCH (in mm)
CP.....	COMPLETE	P.T.O. (PTO)	POWER TAKE OFF
EX.....	EXPORT (from Japan)	REF.....	REFERENCE
FIG.....	FIGURE	R.H. (RH).....	RIGHT HAND SIDE
FR.....	FRONT	RR.	REAR
"	INCH	STD.	STANDARD
INCL.	INCLUDE	SW.....	SWITCH
-L.....	LITER	T=	THICKNESS (in mm)
L=	LENGTH (in. mm)	UN	UNIT
L.H. (LH).....	LEFT-HAND SIDE	U.S.....	UNDER SIZE
MECH.....	MECHANICAL	~V	VOLTAGE
NO (NON).....	NONE	~W	WATT
OPT.....	OPTIONAL	W/	WITH
O.S.	OVER SIZE	W/O	WITHOUT

SECTION 1 CRANKCASE GROUP

FIG. 100

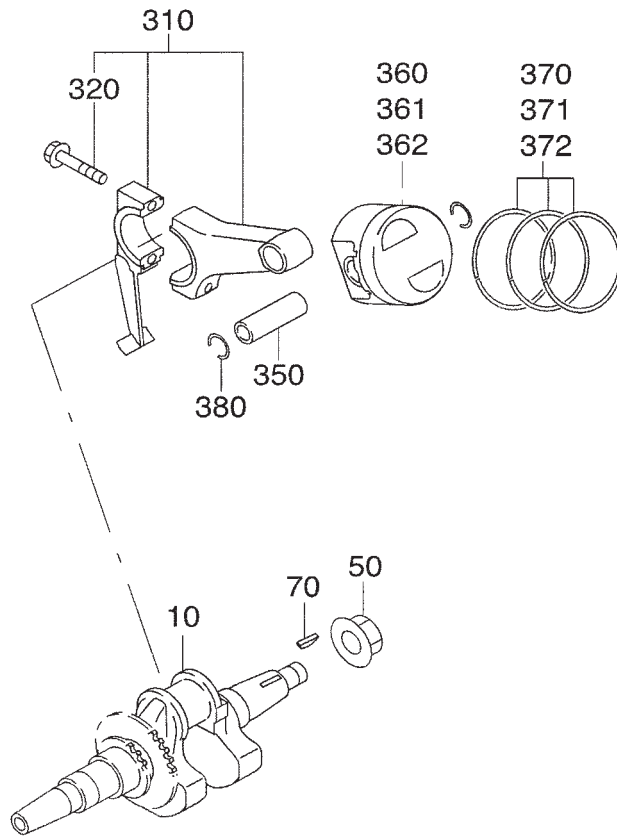


SECTION 1 CRANKCASE GROUP

REF	PART NO	DESCRIPTION	QTY	REMARKS	FROM - TO	FIG
10	279-10102-81	CRANKCASE CP	1			100
20	237-14202-03	VALVE GUIDE	2			100
26	277-16010-01	STEM SEAL	1			100
30	044-03001-60	OIL SEAL	1			100
40	060-03003-41	BALL BEARING	1			100
50	277-15011-03	PIPE KNOCK	2			100
60	010-50802-90	STUD	2			100
70	010-50604-10	STUD	2			100
75	044-00600-20	OIL SEAL	1			100
80	040-11400-30	PLUG	2			100
90	021-11400-20	GASKET	2			100
210	279-11101-21	MAIN BEARING COVER	1	Metric		100
220	044-03001-60	OIL SEAL	1			100
230	060-03003-70	BALL BEARING	1			100
250	277-45004-J1	GOVERNOR GEAR	1			100
260	277-41901-03	GOVERNOR SLEEVE	1			100
270	279-63601-13	OIL GAUGE	2			100
280	021-32000-50	GASKET	2			100
300	001-04083-50	FLANGE BOLT	7			100
610	279-13002-31	CYLINDER HEAD	1			100
620	279-15001-33	GASKET, cylinder head	1			100
630	011-00802-40	FLANGE BOLT	4			100
631	011-00803-10	FLANGE BOLT	1			100
680	277-15503-01	ROCKER COVER	1			100
690	277-16001-13	GASKET, rocker cover	1			100
700	277-15011-03	PIPE KNOCK	2			100
710	011-00600-20	FLANGE BOLT	4			100
960	279-99001-27	GASKET SET	1			100

SECTION 2 CRANKSHAFT, PISTON GROUP

FIG. 200

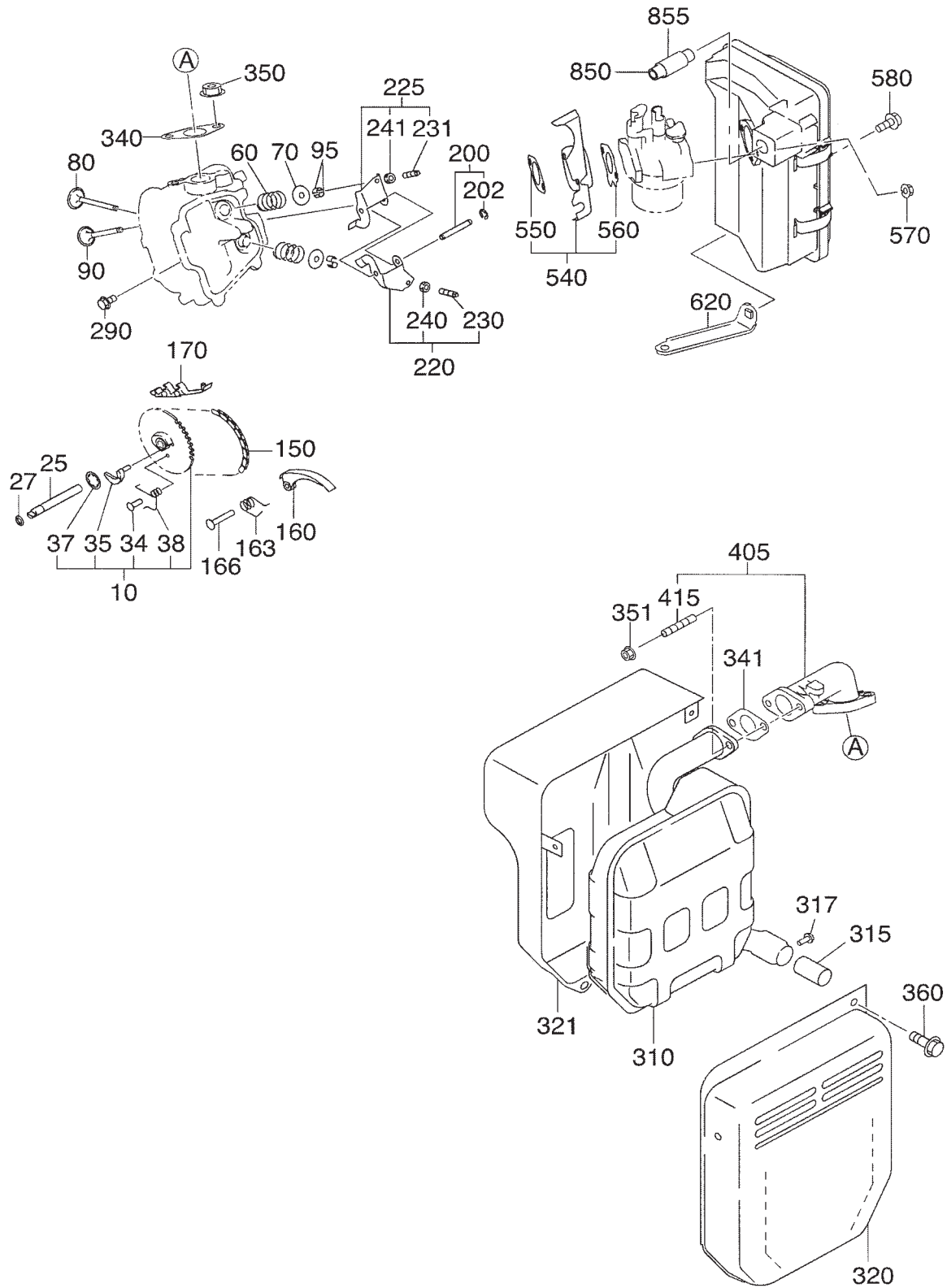


SECTION 2 CRANKSHAFT, PISTON GROUP

REF	PART NO	DESCRIPTION	QTY	REMARKS	FROM - TO	FIG
10	279-20701-41	CRANKSHAFT	1			200
50	018-01800-10	FLANGE NUT	1			200
70	032-30300-10	WOODRUFF KEY	1			200
310	279-22501-30	CONNECTING ROD AY	1			200
320	279-23001-03	CONNECTING ROD BOLT	2			200
350	279-23301-13	PISTON PIN	1			200
360	279-23401-H3	PISTON	1			200
361	279-23403-H3	PISTON	1			200
362	279-23404-H3	PISTON	1			200
370	279-23511-17	PISTON RING SET	1			200
371	279-23512-17	PISTON RING SET	1			200
372	279-23513-17	PISTON RING SET	1			200
380	056-51800-10	CLIP	2			200
						200

SECTION 3 INTAKE, EXHAUST GROUP

FIG. 300

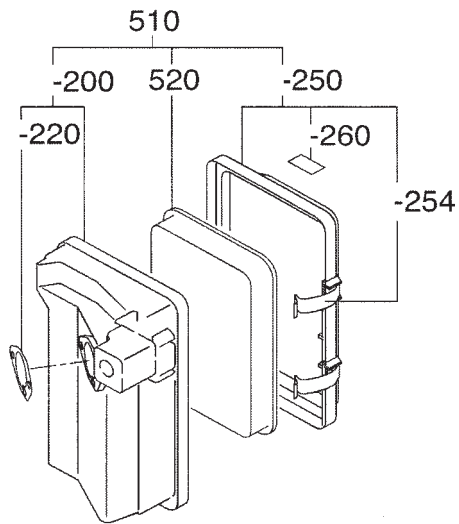


SECTION 3 INTAKE, EXHAUST GROUP

REF	PART NO	DESCRIPTION	QTY	REMARKS	FROM - TO	FIG
10	279-31602-11	CAMSHAFT	1			300
25	277-35101-03	PIN, camshaft	1			300
27	024-00600-10	O RING	1			300
34	277-38601-03	PIN, spring	1			300
35	279-36401-03	RELEASE LEVER	1			300
37	277-36501-03	CLIP	1			300
38	279-38701-13	RETURN SPRING	1			300
60	279-33601-03	VALVE SPRING	2			300
70	269-33701-03	SPRING RETAINER	2			300
80	279-33401-H3	INTAKE VALVE	1			300
90	279-33501-H3	EXHAUST VALVE	1			300
95	132-10KA0-31	COLLET VALVE	4			300
150	279-35601-11	TIMING CHAIN	1			300
160	277-36911-03	TENTIONER	1			300
163	277-37101-03	SPRING, tentioner	1			300
166	277-36902-03	PIN, tentioner	1			300
170	277-36913-13	CHAIN GUIDE	1			300
200	277-35002-01	PIN, rocker	1			300
202	003-13050-00	CLIP	1			300
220	277-36201-00	ROCKER ARM, intake	1			300
225	277-36202-00	ROCKER ARM, exhaust	1			300
230	014-90500-20	ADJUST SCREW	1			300
231	014-90500-20	ADJUST SCREW	1			300
240	017-00500-30	NUT	1			300
241	017-00500-30	NUT	1			300
290	011-00600-20	FLANGE BOLT	1			300
310	279-30202-01	MUFFLER	1			300
315	279-37602-01	SPARK ARRESTOR	1			300
317	015-00400-60	TAPPING SCREW	1			300
320	279-34501-11	MUFFLER COVER 1	1			300
321	279-34601-11	MUFFLER COVER 2	1			300
340	277-35201-13	GASKET, muffler	1			300
341	277-35201-01	GASKET, exhaust	1			300
350	980-20082-80	FLANGE NUT	2			300
351	980-20082-80	FLANGE NUT	2			300
360	011-00600-20	FLANGE BOLT	3			300
405	277-34001-01	EXHAUST PIPE	1			300
415	010-50802-90	STUD	2			300
540	279-32902-J1	INSULATOR	1			300
550	279-35903-J3	GASKET 2, insulator	1			300
560	279-35902-J3	GASKET 1, insulator	1			300
570	002-38060-00	FLANGE NUT	2			300
580	011-00600-50	FLANGE BOLT	1			300
620	279-39001-01	BRACKET, air cleaner	1			300
850	279-32760-08	RUBBER PIPE	1			300
855	279-69001-03	SPONGE PROTECTOR	1			300

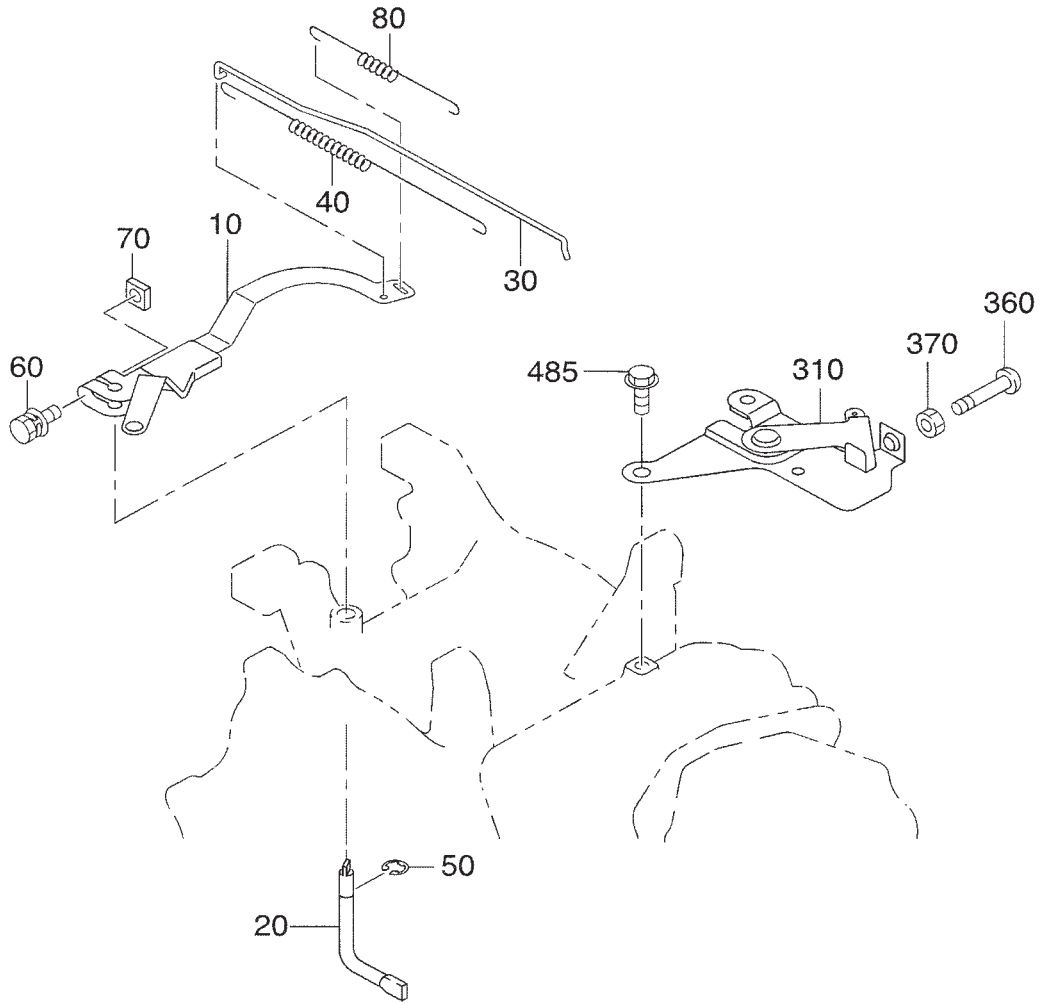
SECTION 3 INTAKE, EXHAUST GROUP

FIG. 310



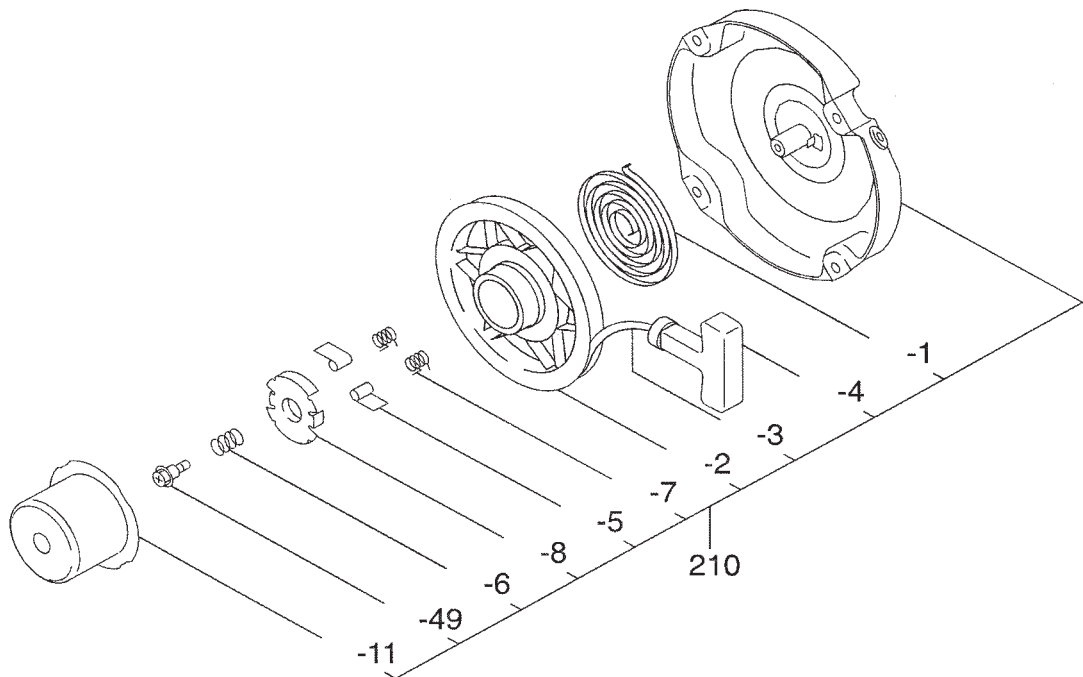
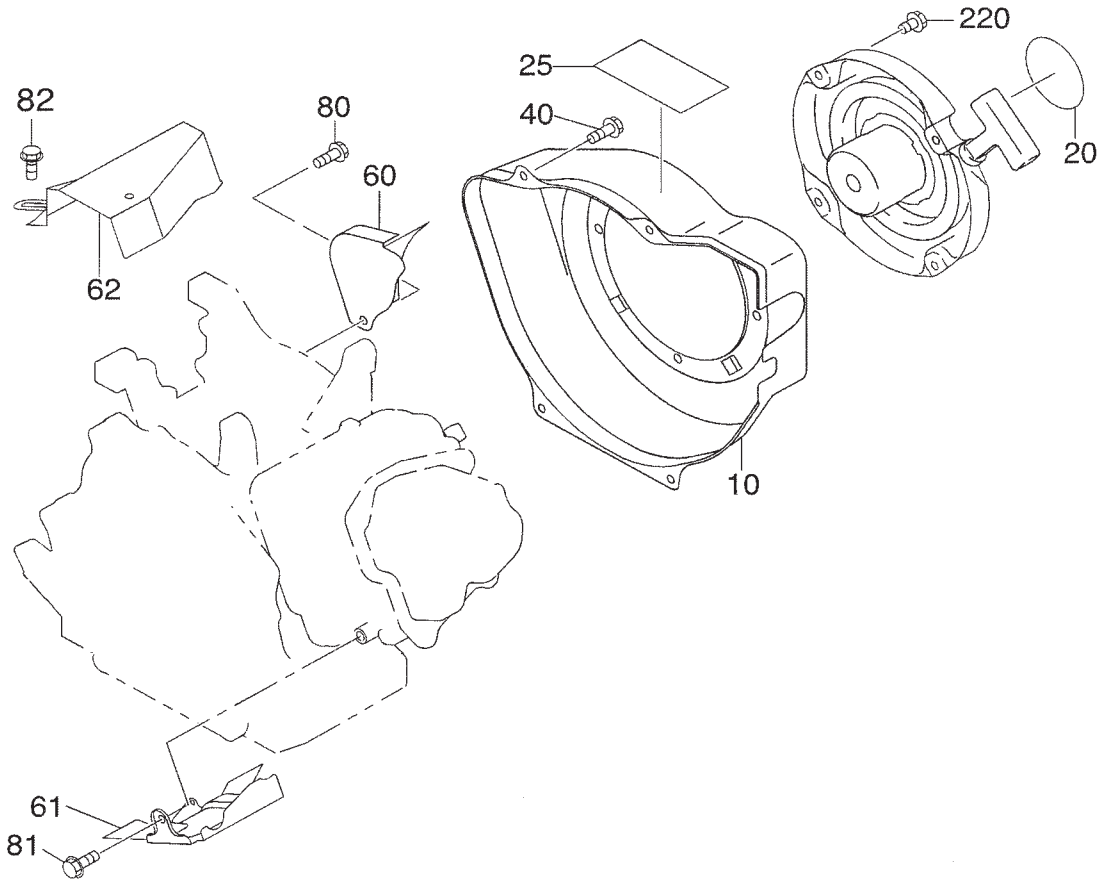
SECTION 4 GOVERNOR, OPERATION GROUP

FIG. 400



SECTION 5 COOLING, STARTING GROUP

FIG. 500

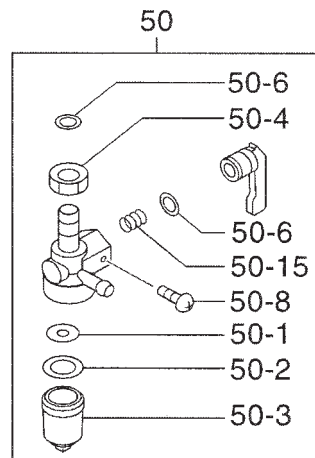
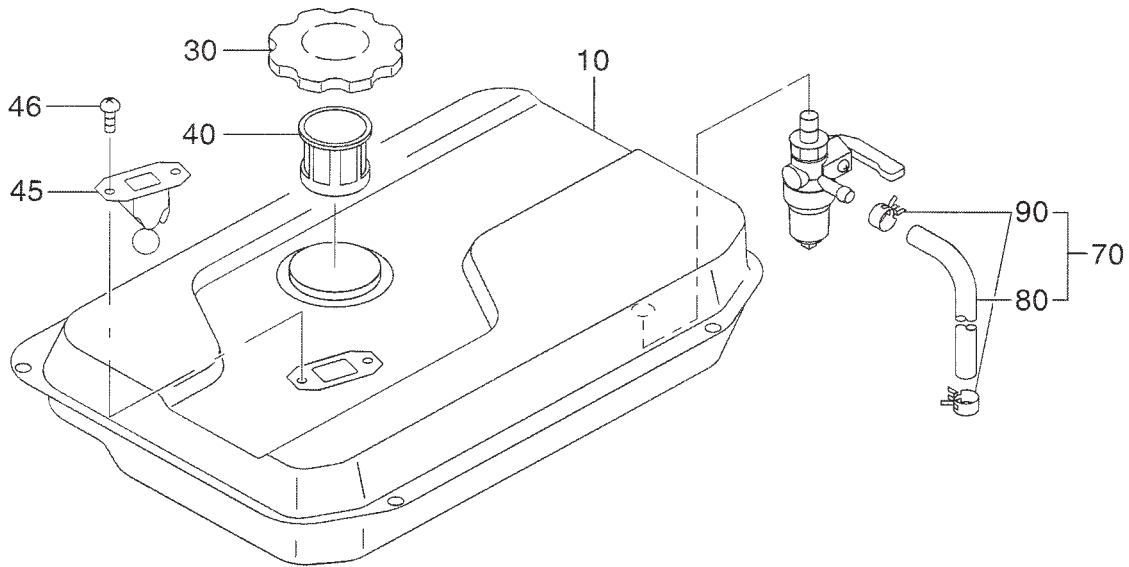


SECTION 5 COOLING, STARTING GROUP

REF	PART NO	DESCRIPTION	QTY	REMARKS	FROM - TO	FIG
10	279-51226-01	BLOWER HOUSING	1			500
20	073-20054-07	LABEL, trademark	1			500
25	073-20051-81	LABEL, warning	1			500
40	011-00600-30	FLANGE BOLT	4			500
60	279-52711-11	BAFFLE 1, case	1	Recoil Start Only		500
61	279-52702-13	BAFFLE 2, head	1			500
62	277-55001-11	DUCT, case	1			500
80	001-65081-20	BOLT	1	Recoil Start Only		500
81	011-00600-20	FLANGE BOLT	1			500
82	011-00600-20	FLANGE BOLT	3			500
210	279-50202-00	RECOIL STARTER AY	1			500
-1	226-50716-08	SPIRAL SPRING	1			500
-2	279-50120-08	REEL	1			500
-3	279-50110-08	STARTER ROPE	1			500
-4	226-50701-08	STARTER KNOB	1			500
-5	279-50125-08	RATCHET	2			500
-6	226-50731-08	FRICTION SPRING	1			500
-7	226-50752-08	RATCHET SPRING	2			500
-8	226-50741-08	FRICTION PLATE	1			500
-11	279-50145-08	STARTER PULLEY	1			500
-49	226-50753-18	CENTER SCREW	1			500
220	011-00600-10	FLANGE BOLT	4			500
						500

SECTION 6 FUEL, LUBRICANT GROUP

FIG. 600

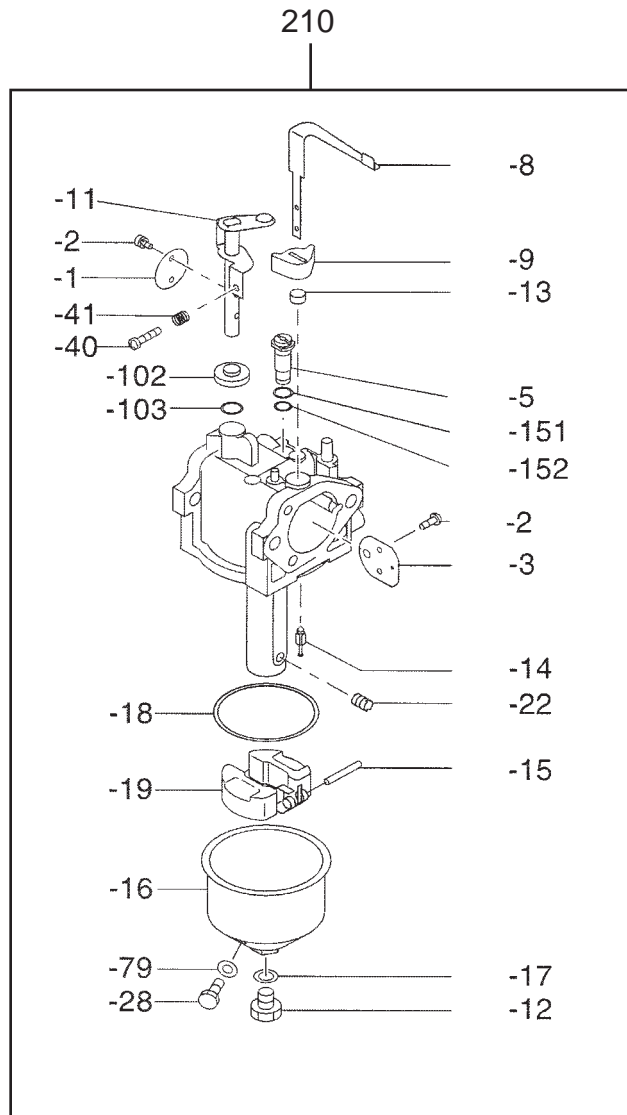


SECTION 6 FUEL, LUBRICANT GROUP

REF	PART NO	DESCRIPTION	QTY	REMARKS	FROM - TO	FIG
10	270-61718-01	FUEL TANK	1			600
30	043-05900-11	FUEL TANK CAP	1			600
40	064-15400-11	FUEL FILTER	1			600
45	064-80018-00	FUEL GAUGE	1			600
46	014-50500-40	SCREW	2			600
50	064-20100-01	FUEL STRAINER	1			600
-1	064-20041-10	FILTER	1			600
-2	064-20014-30	RUBBER PACKING	1			600
-3	064-20014-10	CUP	1			600
-4	064-20100-20	LOCK NUT	1			600
-6	064-20003-30	O RING	2			600
-8	064-20027-90	BOLT	1			600
-15	064-20032-30	SPRING	1			600
70	227-62644-01	FUEL PIPE CP	1			600
80	085-10603-50	RUBBER PIPE	1			600
90	056-11100-20	HOSE CLAMP	1			600

SECTION 6 FUEL, LUBRICANT GROUP GROUP

FIG. 610

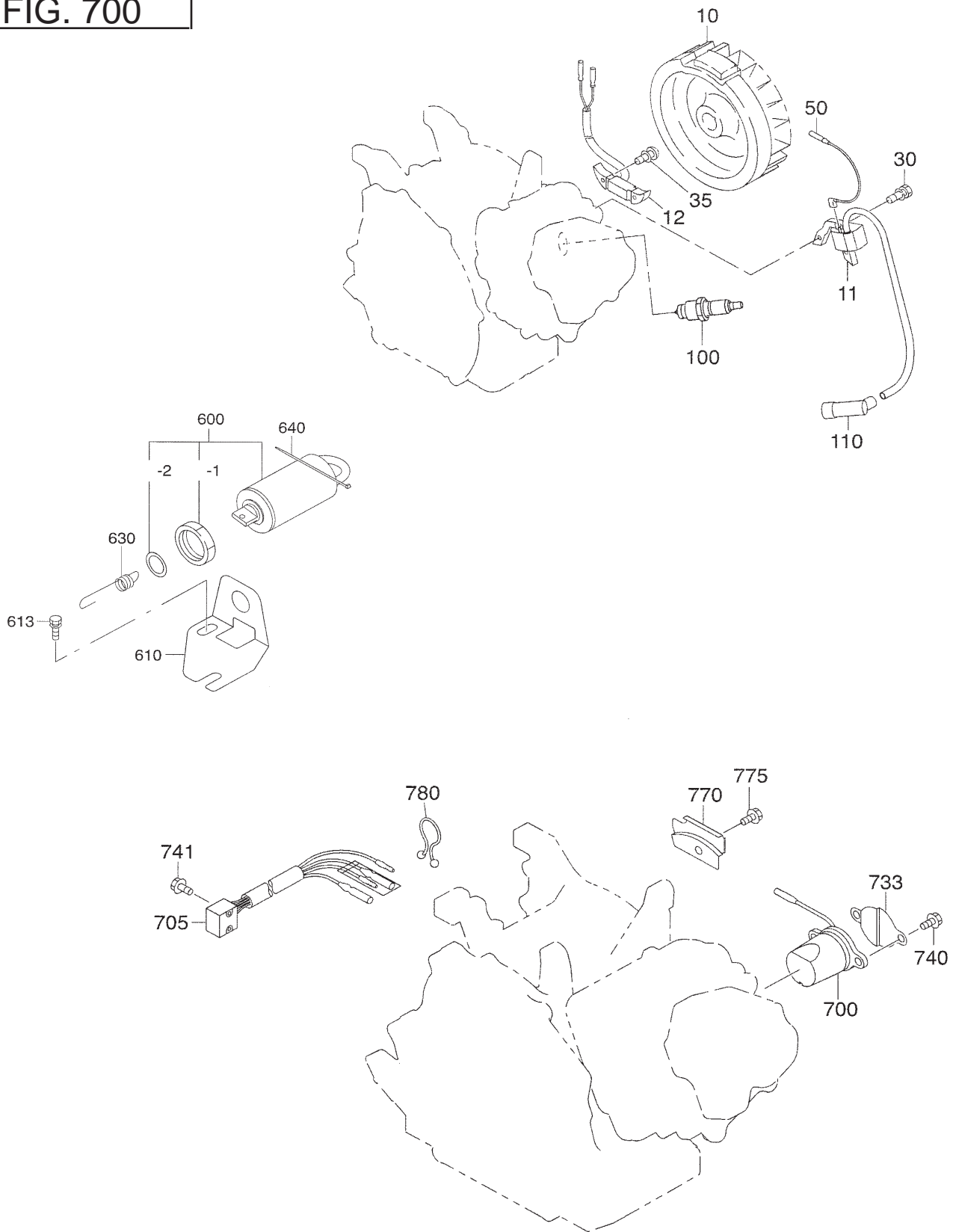


SECTION 6 FUEL, LUBRICANT GROUP GROUP

REF	PART NO	DESCRIPTION	QTY	REMARKS	FROM - TO	FIG
210	279-62304-40	CARBURETOR	1			610
-1	279-62535-08	THROTTLE VALVE	1			610
-2	251-62450-08	SCREW	4			610
-3	279-62526-08	CHOKE VALVE	1			610
-5	279-62420-08	SLOW JET	1			610
-7	279-62570-18	CHOKE LEVER	1			610
-9	279-62563-18	COLLAR SHAFT 1	1			610
-11	279-62530-08	SHAFT, sub ay	1			610
-12	251-62453-08	SCREW	1			610
-13	279-62564-08	COLLAR SHAFT 2	1			610
-14	279-62500-08	NEEDLE VALVE	1			610
-15	279-62515-08	FLOAT PIN AY	1			610
-16	285-62550-08	FLOAT CHAMBER SUB AY	1			610
-17	251-62350-08	GASKET	1			610
-18	279-62540-08	GASKET, chamber	1			610
-19	279-62505-08	FLOAT, sub ay	1			610
-22	279-62400-08	MAIN JET	1			610
-28	285-62551-08	DRAIN SCREW	1			610
-40	279-62353-18	ADJUSTING SCREW	1			610
-41	279-62445-08	SPRING	1			610
-79	285-62552-08	GASKET	1			610
-102	279-62561-08	BUSH	1			610
-103	279-62562-08	COLLAR	1			610
-151	279-62451-08	O RING	1			610
-152	279-62452-08	O RING	1			610

SECTION 7 ELECTRIC GROUP

FIG. 700

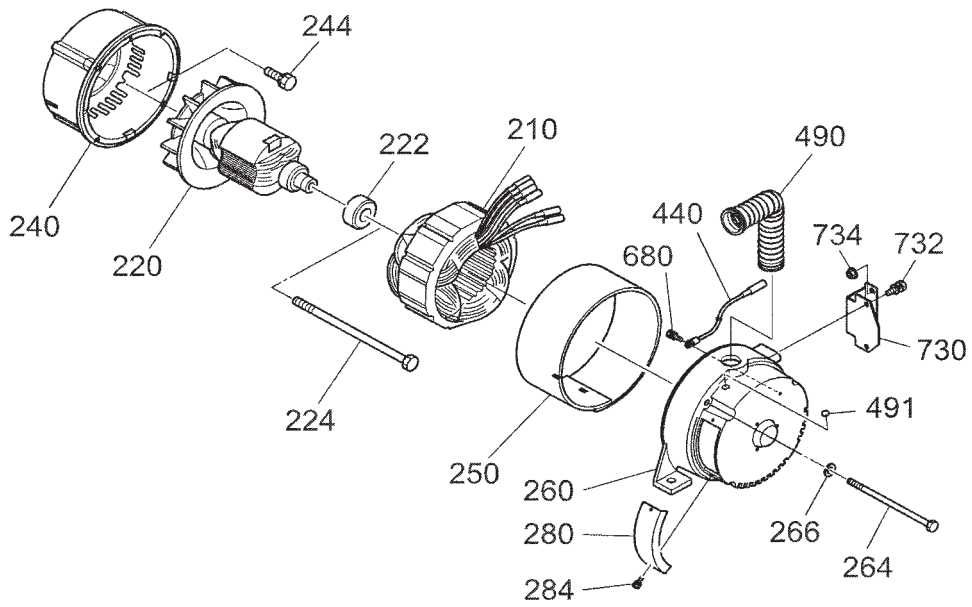


SECTION 7 ELECTRIC GROUP

REF	PART NO	DESCRIPTION	QTY	REMARKS	FROM - TO	FIG
10	279-79241-01	FLYWHEEL	1	Recoil		700
10	279-79251-01	FLYWHEEL	1	Electric		700
11	279-79430-01	IGNITION COIL	1	Recoil		700
11	279-79431-01	IGNITION COIL	1	Electric		700
12	279-79301-01	LAMP COIL	1			700
20	267-71002-03	RING GEAR	1	Electric		700
30	001-14062-50	BOLT and WASHER	2			700
35	001-13062-00	BOLT and WASHER	2			700
50	277-73102-H1	WIRE 2	1	Recoil		700
50	279-73105-H1	WIRE 5	1	Electric		700
100	065-01401-50	SPARK PLUG	1			700
110	065-50002-70	SPARK PLUG CAP	1			700
120	279-70502-00	STARTING MOTOR CP	1	Electric		700
125	279-76511-11	BRACKET	1	Electric		700
130	214-79007-01	BOLT CP, starter	2	Electric		700
135	011-00600-20	FLANGE BOLT	3	Electric		700
150	003-10080-00	WASHER	2	Electric		700
600	246-77303-01	SOLENOID	1			700
-1	224-76506-08	NUT	1			700
-2	224-76507-08	WASHER	1			700
610	279-76501-11	BRACKET, solenoid	1			700
613	001-14062-00	BOLT and WASHER	2			700
630	279-78201-13	SPRING, solenoid	1			700
640	056-30000-10	WIRE BAND	1			700
700	279-76301-41	OIL SENSOR	1			700
705	KU3-11070-01	FLOAT C/U CP 4	1			700
733	277-75801-03	SHIELD PLATE	1			700
740	013-00602-60	BOLT and WASHER	2			700
741	015-00400-90	TAPPING SCREW	2			700
770	279-75501-13	WIRE CLAMP	1			700
775	015-20600-50	TAPPING BOLT	1			700
780	056-90000-20	PURSE LOCK	1			700

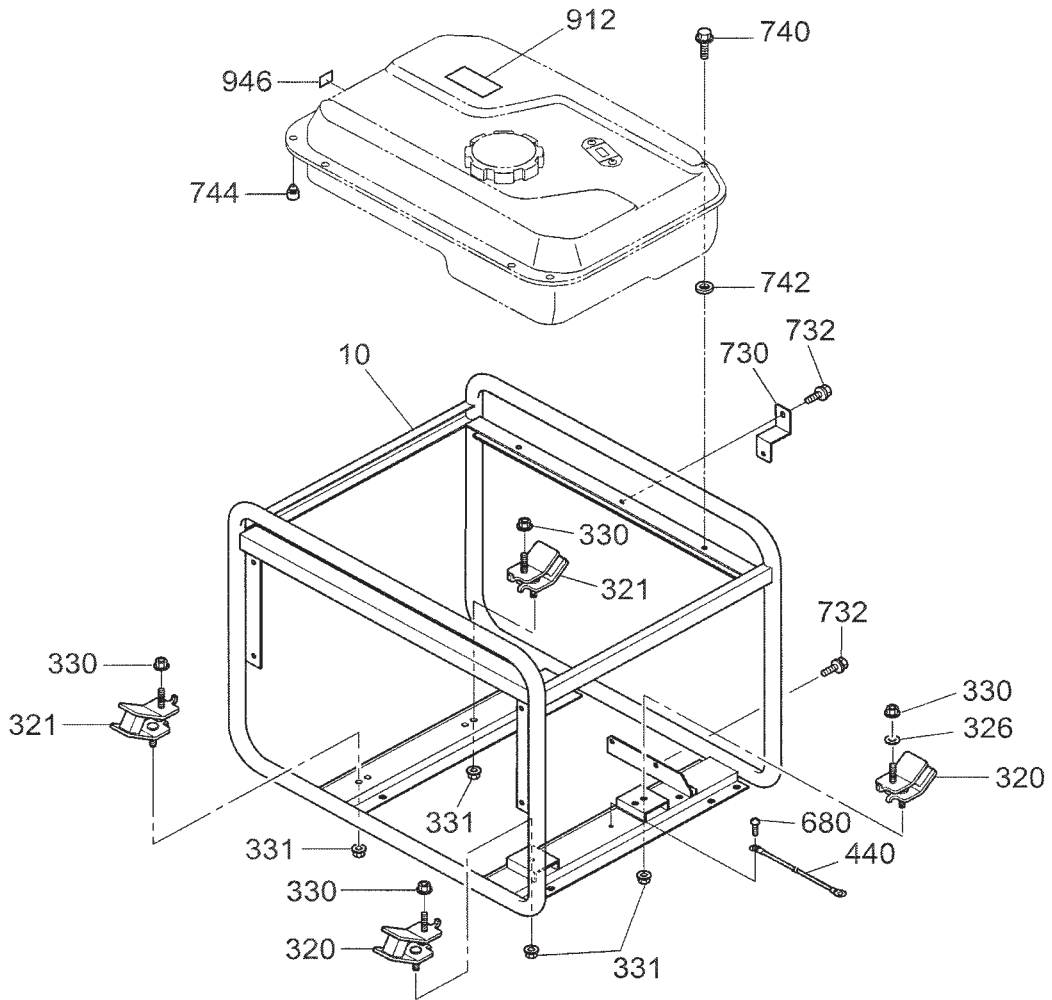
SECTION 8 GENERATOR GROUP

FIG. 2200



SECTION 9 BASE, FRAME GROUP - RECOIL

FIG. 2300

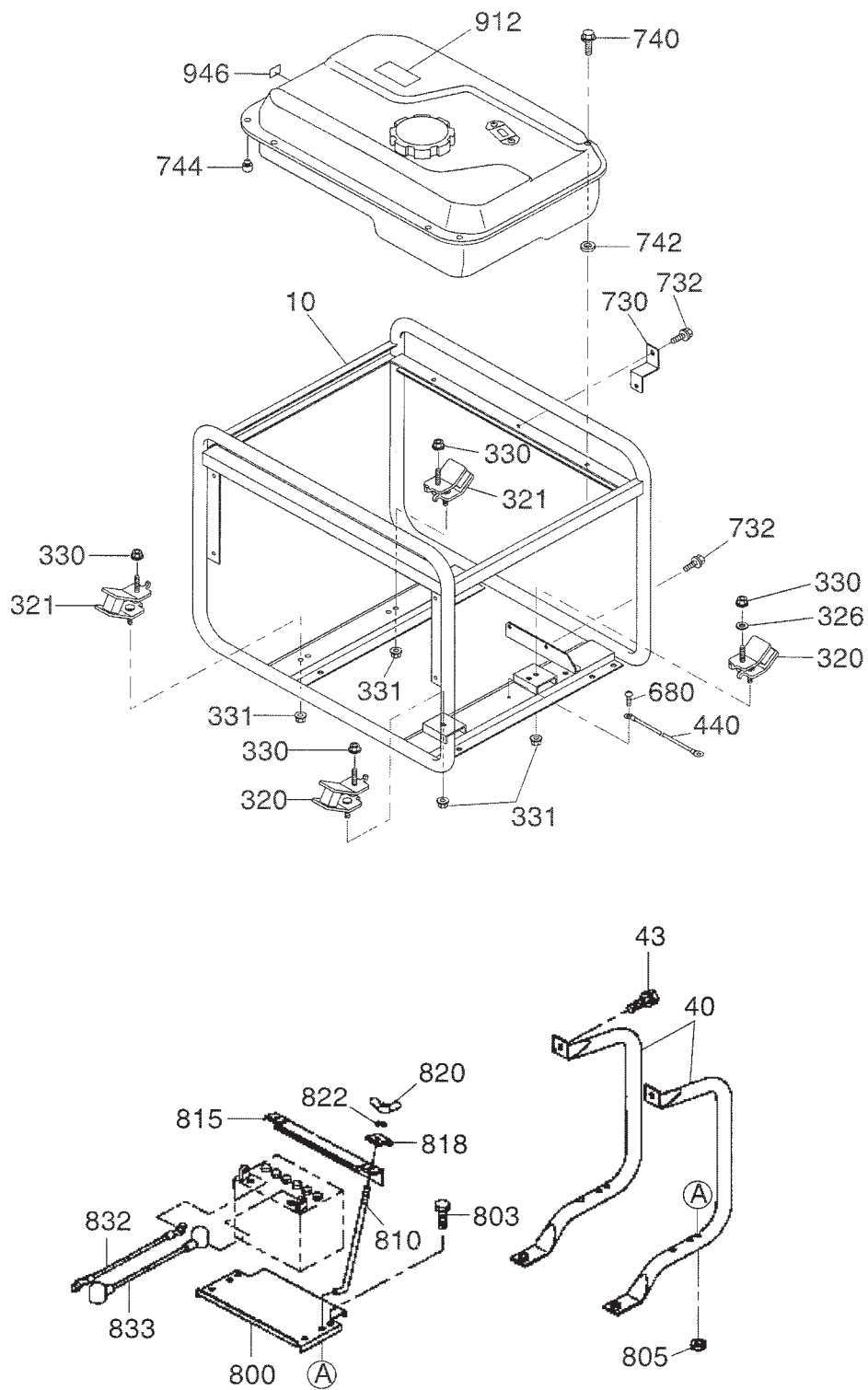


SECTION 9 BASE, FRAME GROUP - RECOIL

REF	PART NO	DESCRIPTION	QTY	REMARKS	FROM - TO	FIG
10	35C-61001-01	PIPE FRAME	1			2300
320	35C-62001-01	RUBBER MOUNT	2			2300
321	35C-62002-01	RUBBER MOUNT	2			2300
326	003-10100-00	WASHER	1			2300
330	002-38100-00	FLANGE NUT	4			2300
331	002-38080-00	FLANGE NUT	4			2300
440	35C-64001-01	EARTH CORD	1			2300
680	376-39100-01	SCREW and WASHER	1			2300
730	35C-63003-01	BRACKET, muffler cover	1			2300
732	35A-64001-01	FLANGE BOLT	6			2300
740	011-00602-20	FLANGE BOLT	2			2300
742	391-39000-13	RUBBER WASHER	2			2300
744	35C-62003-01	RUBBER MOUNT	2			2300
912	388-93003-03	LABEL, caution	1			2300
946	073-20050-80	LABEL, fuel strainer	1			2300

SECTION 9 BASE, FRAME GROUP - ELECTRIC START

FIG. 2300

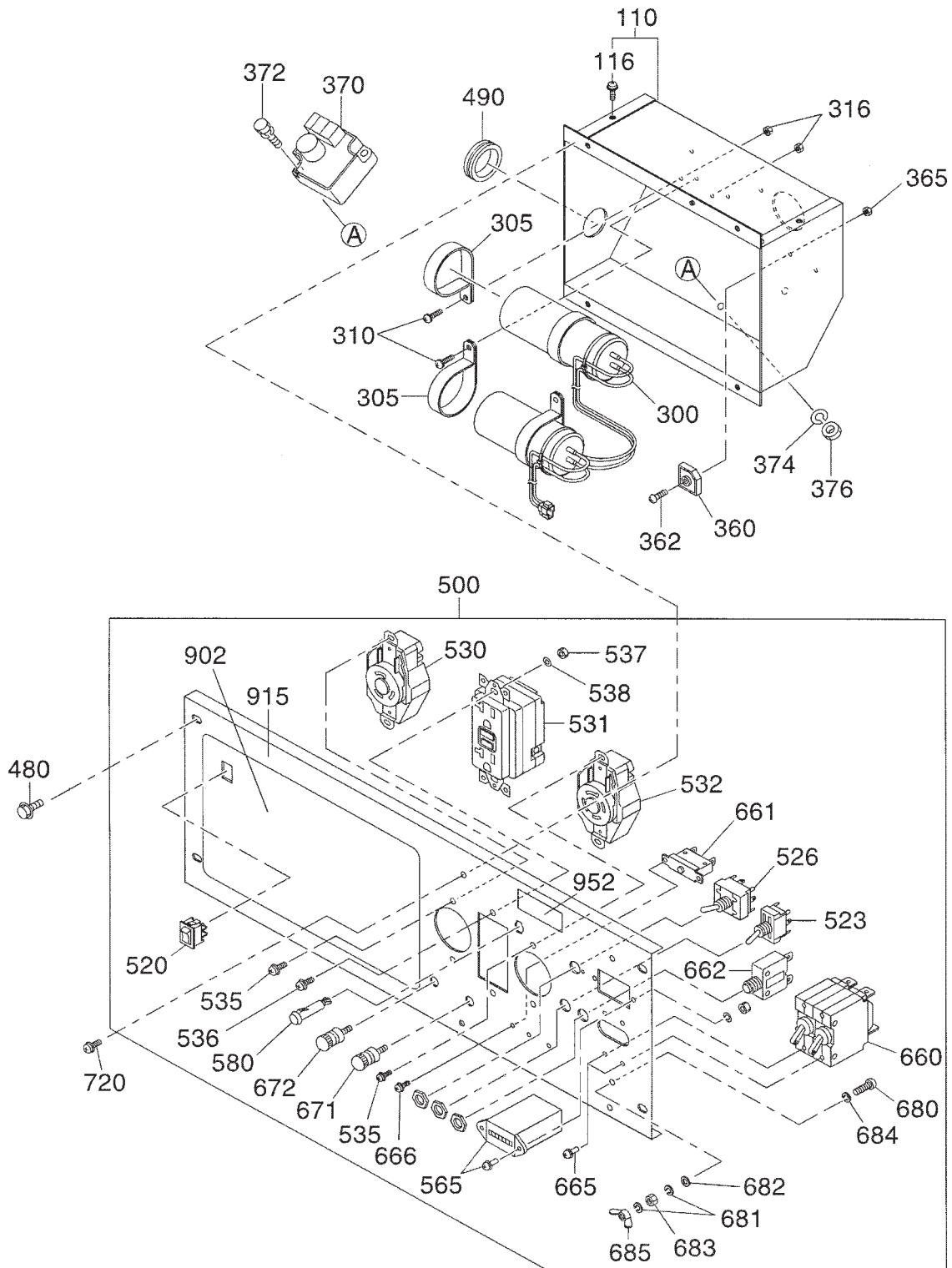


SECTION 9 BASE, FRAME GROUP - ELECTRIC START

REF	PART NO	DESCRIPTION	QTY	REMARKS	FROM - TO	FIG
10	35C-61001-01	PIPE FRAME	1			2300
40	390-56076-08	BATTERY FRAME	2			2300
43	359-59935-08	BOLT and WASHER	4			2300
320	35C-62001-01	RUBBER MOUNT	2			2300
321	35C-62002-01	RUBBER MOUNT	2			2300
326	003-10100-00	WASHER	1			2300
330	002-38100-00	FLANGE NUT	4			2300
331	002-38080-00	FLANGE NUT	4			2300
440	35C-64001-01	EARTH CORD	1			2300
680	376-39100-01	SCREW and WASHER	1			2300
730	35C-63003-01	BRACKET, muffler cover	1			2300
732	35A-64001-01	FLANGE BOLT	6			2300
740	011-00602-20	FLANGE BOLT	2			2300
742	391-39000-13	RUBBER WASHER	2			2300
744	35C-62003-01	RUBBER MOUNT	2			2300
800	389-54451-08	BATTERY BASE	1			2300
803	356-49955-08	BOLT	4			2300
805	002-38060-00	FLANGE NUT	4			2300
810	353-59921-08	BOLT	2			2300
815	385-54382-08	BATTERY ANGLE	1			2300
818	385-54416-08	BATTERY SUPPORT	2			2300
820	002-17060-00	NUT	2			2300
822	003-20060-00	SPRING WASHER	2			2300
832	35C-64003-01	BATTERY CORD	1			2300
833	35C-64002-01	BATTERY CORD	1			2300
912	388-93003-03	LABEL, caution	1			2300
946	073-20050-80	LABEL, fuel strainer	1			2300

SECTION 10 CONTROL GROUP - RECOIL

FIG. 2400

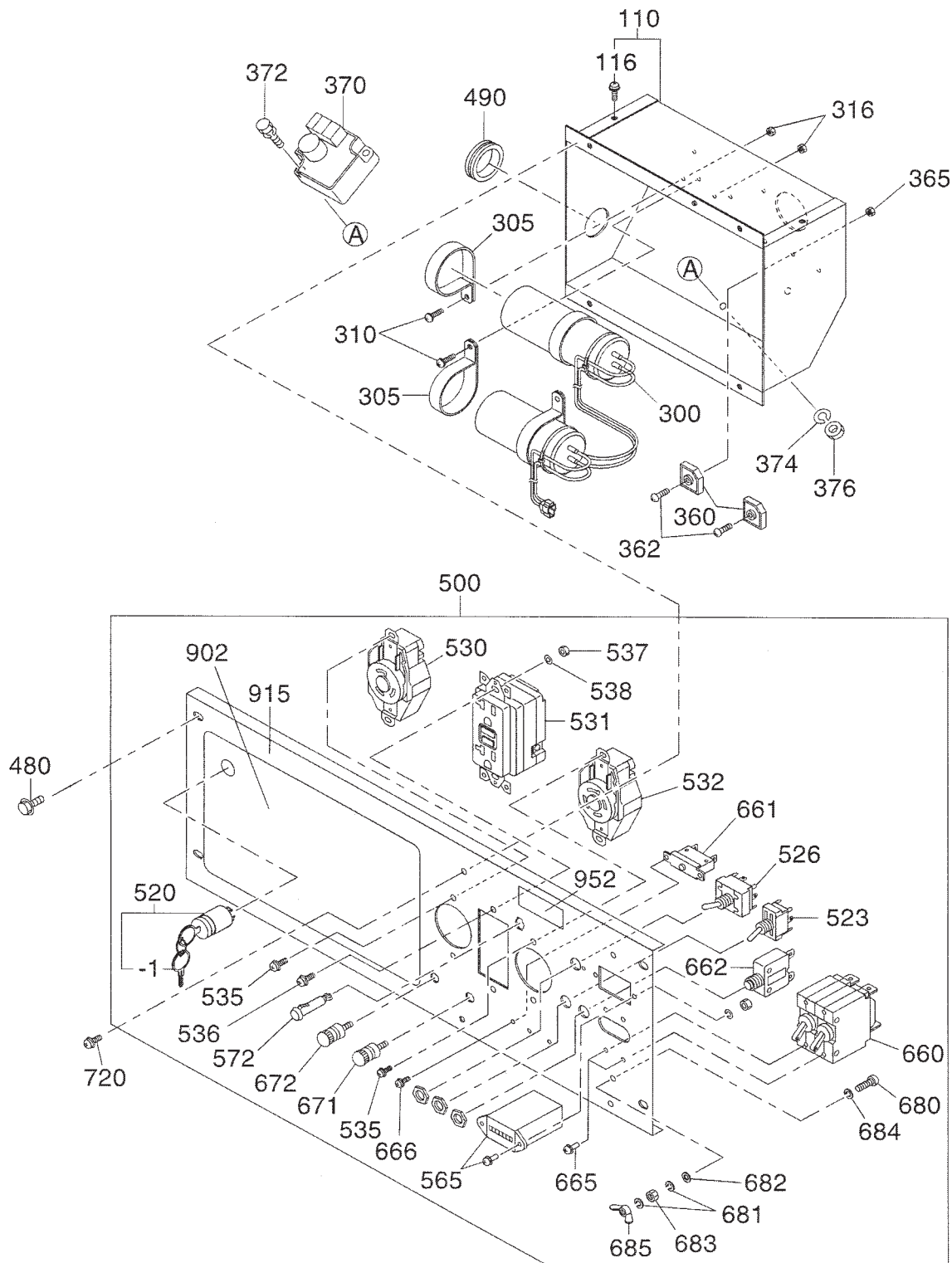


SECTION 10 CONTROL GROUP - RECOIL

REF	PART NO	DESCRIPTION	QTY	REMARKS	FROM - TO	FIG
100	35C-70107-00	CONTROL BOX AY	1			2400
110	35C-71102-02	CONTROL BOX UN	1			2400
116	359-59929-08	SCREW and WASHER	4			2400
300	35C-72001-03	CONDENSER	1			2400
305	30G-47605-08	CONDENSER HOLDER	4			2400
310	390-49972-08	SCREW and WASHER	4			2400
316	002-17040-00	NUT	4			2400
360	353-45804-08	DIODE STACK	1			2400
362	004-36042-00	SCREW and WASHER	1			2400
365	002-17040-00	NUT	1			2400
370	KU3-11015-01	IDLE C/U CP	1	150V		2400
372	004-35062-00	SCREW and WASHER	2			2400
374	003-20060-00	SPRING WASHER	2			2400
376	002-17060-00	NUT	2			2400
480	011-00600-80	FLANGE BOLT	4			2400
490	389-89001-03	GROMMET	1			2400
500	35C-70207-00	PANEL A AY	1			2400
520	35A-72002-03	ROCKER SWITCH	1			2400
523	344-45615-08	AUTO IDLE SWITCH	1			2400
526	355-45613-11	SWITCH AY	1			2400
530	35B-72003-03	AC RECEPTACLE	1	250V / 30A		2400
531	388-85003-01	AC RECEPTACLE	1	125V / 20A		2400
532	35C-72005-03	AC RECEPTACLE	1			2400
535	31C-79001-03	SCREW and WASHER	4			2400
536	351-49920-08	SCREW and WASHER	2			2400
537	002-17040-00	NUT	2			2400
538	003-10040-00	WASHER	4			2400
565	393-40651-08	HOUR METER	1	60Hz		2400
580	30G-45308-08	LAMP	1			2400
660	35C-72002-03	BREAKER	1			2400
661	352-45620-08	CIRCUIT BREAKER	1			2400
662	35C-72006-03	BREAKER	1			2400
665	31B-79011-03	SCREW and WASHER	4			2400
666	351-49921-08	SCREW and WASHER	2			2400
671	363-45701-08	TERMINAL BOLT	1	Red-20A		2400
672	363-45700-08	TERMINAL BOLT	1	Black-20A		2400
680	356-49956-08	SCREW	1			2400
681	332-00050-08	SPRING WASHER	2			2400
682	353-49903-08	WASHER	1			2400
683	353-49902-08	NUT	1			2400
684	372-59950-08	LOCK WASHER	1			2400
685	353-49901-08	WING NUT	1			2400
720	31B-79012-03	BOLT and WASHER	4			2400
902	35C-71209-02	LABEL, brand	1			2400
915	35C-71208-02	LABEL, panel	1			2400
952	391-93014-03	LABEL, ground	1			2400

SECTION 10 CONTROL GROUP - ELECTRIC

FIG. 2400

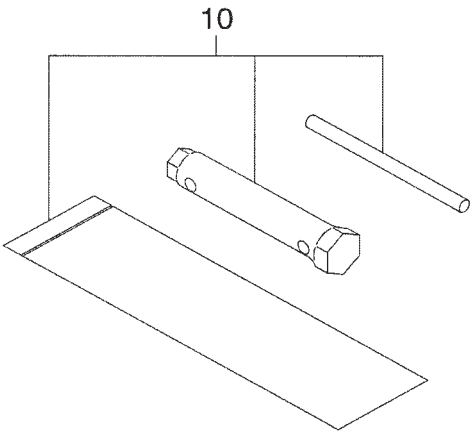


SECTION 10 CONTROL GROUP - ELECTRIC

REF	PART NO	DESCRIPTION	QTY	REMARKS	FROM - TO	FIG
100	35C-70108-00	CONTROL BOX AY	1			2400
110	35C-71102-02	CONTROL BOX UN	1			2400
116	359-59929-08	SCREW and WASHER	4			2400
300	35C-72001-03	CONDENSER	1			2400
305	30G-47605-08	CONDENSER HOLDER	4			2400
310	390-49972-08	SCREW and WASHER	4			2400
316	002-17040-00	NUT	4			2400
360	353-45804-08	DIODE STACK	1			2400
362	004-36042-00	SCREW and WASHER	1			2400
365	002-17040-00	NUT	1			2400
370	KU3-11015-01	IDLE C/U CP	1	150V		2400
372	004-35062-00	SCREW and WASHER	2			2400
374	003-20060-00	SPRING WASHER	2			2400
376	002-17060-00	NUT	2			2400
480	011-00600-80	FLANGE BOLT	4			2400
490	389-89001-03	GROMMET	1			2400
500	35C-70208-00	PANEL A AY	1			2400
520	066-00003-30	SWITCH	1			2400
-1	066-00099-80	KEY, switch	1			2400
523	344-45615-08	AUTO IDLE SWITCH	1			2400
526	355-45613-11	SWITCH AY	1			2400
530	35B-72003-03	AC RECEPTACLE	1	250V / 30A		2400
531	388-85003-01	AC RECEPTACLE	1	125V / 20A		2400
532	35C-72005-03	AC RECEPTACLE	1			2400
535	31C-79001-03	SCREW and WASHER	4			2400
536	351-49920-08	SCREW and WASHER	2			2400
537	002-17040-00	NUT	2			2400
538	003-10040-00	WASHER	4			2400
565	393-40651-08	HOUR METER	1	60Hz		2400
572	30G-45308-08	LAMP	1			2400
660	35C-72002-03	BREAKER	1			2400
661	352-45620-08	CIRCUIT BREAKER	1			2400
662	35C-72006-03	BREAKER	1			2400
665	31B-79011-03	SCREW and WASHER	4			2400
666	351-49921-08	SCREW and WASHER	2			2400
671	363-45701-08	TERMINAL BOLT	1	Red-20A		2400
672	363-45700-08	TERMINAL BOLT	1	Black-20A		2400
680	356-49956-08	SCREW	1			2400
681	332-00050-08	SPRING WASHER	2			2400
682	353-49903-08	WASHER	1			2400
683	353-49902-08	NUT	1			2400
684	372-59950-08	LOCK WASHER	1			2400
685	353-49901-08	WING NUT	1			2400
720	31B-79012-03	BOLT and WASHER	4			2400
902	35C-71211-02	LABEL, brand	1			2400
915	35C-71210-02	LABEL, panel	1			2400
952	391-93014-03	LABEL, ground	1			2400

SECTION 12 ACCESSORIES GROUP

FIG. 2900



PRINTED IN THE USA