



SUBARU

Industrial Power Products

PARTS MANUAL

Model

**SGX5000
GENERATORS**

PUB-EP
Rev. 03/11

Robin America, Inc.

905 Telser Road • Lake Zurich, IL 60047 • Phone: 847-540-7300 • Fax: 847-438-5012
e-mail: sales@robinamerica.com • www.subarupower.com

© Copyright 2011 Robin America, Inc.

GROUP INDEX

Group Name	Page
CRANKCASE GROUP	4
CRANKSHAFT GROUP	8
INTAKE and EXHAUST GROUP	10
GOVERNOR GROUP	14
COOLING and STARTING GROUP	16
FUEL, LUBRICATION GROUP	18
ELECTRIC.....	22

FIG. 1 CRANKCASE GROUP

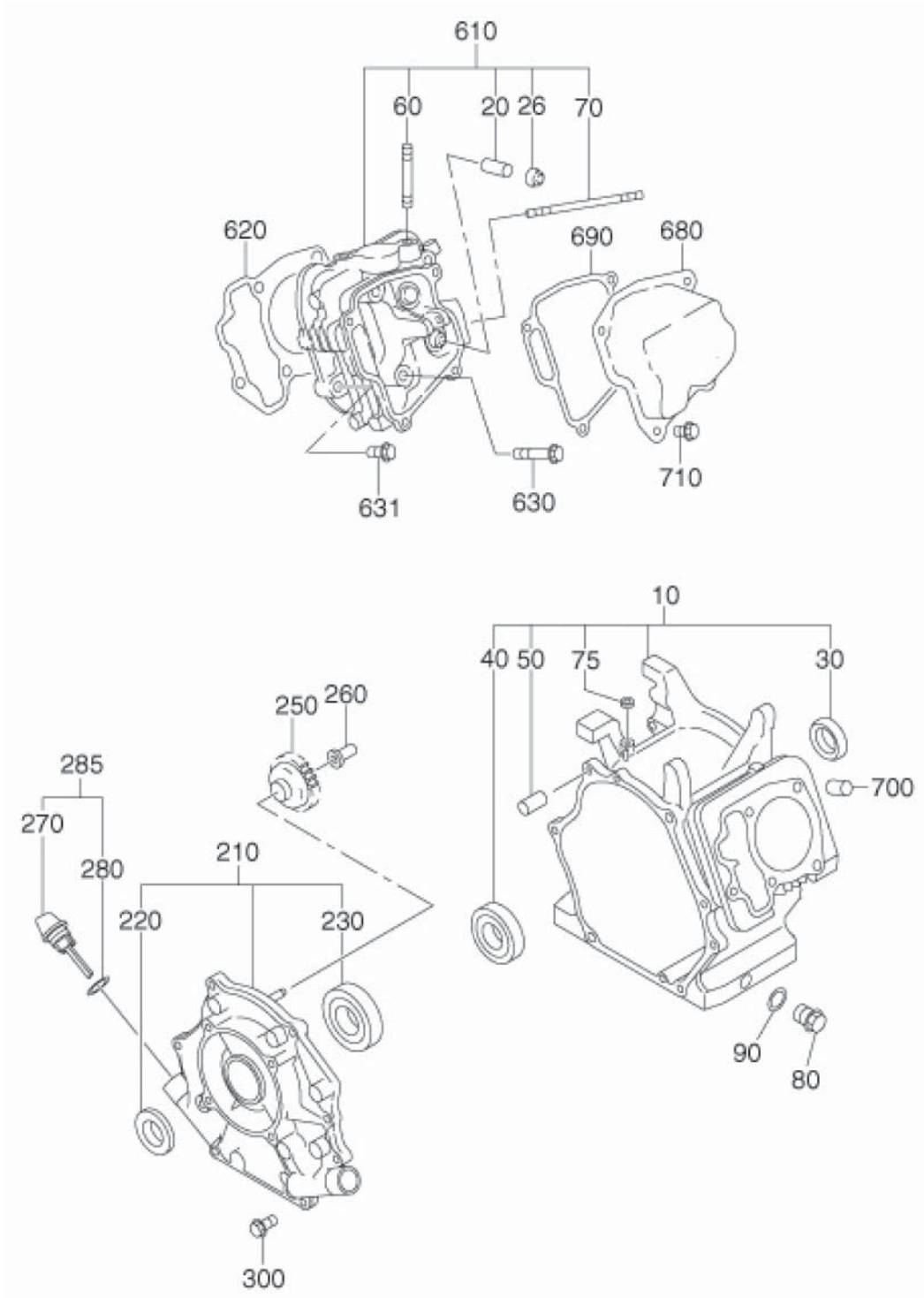


FIG. 2 CRANKSHAFT GROUP

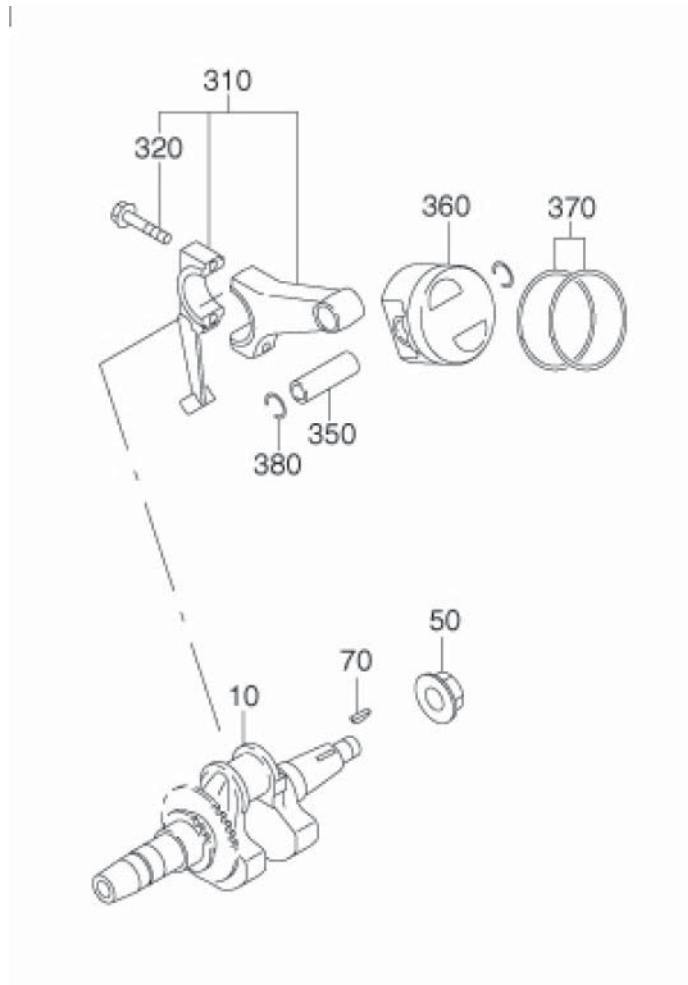


FIG. 3 INTAKE and EXHAUST GROUP

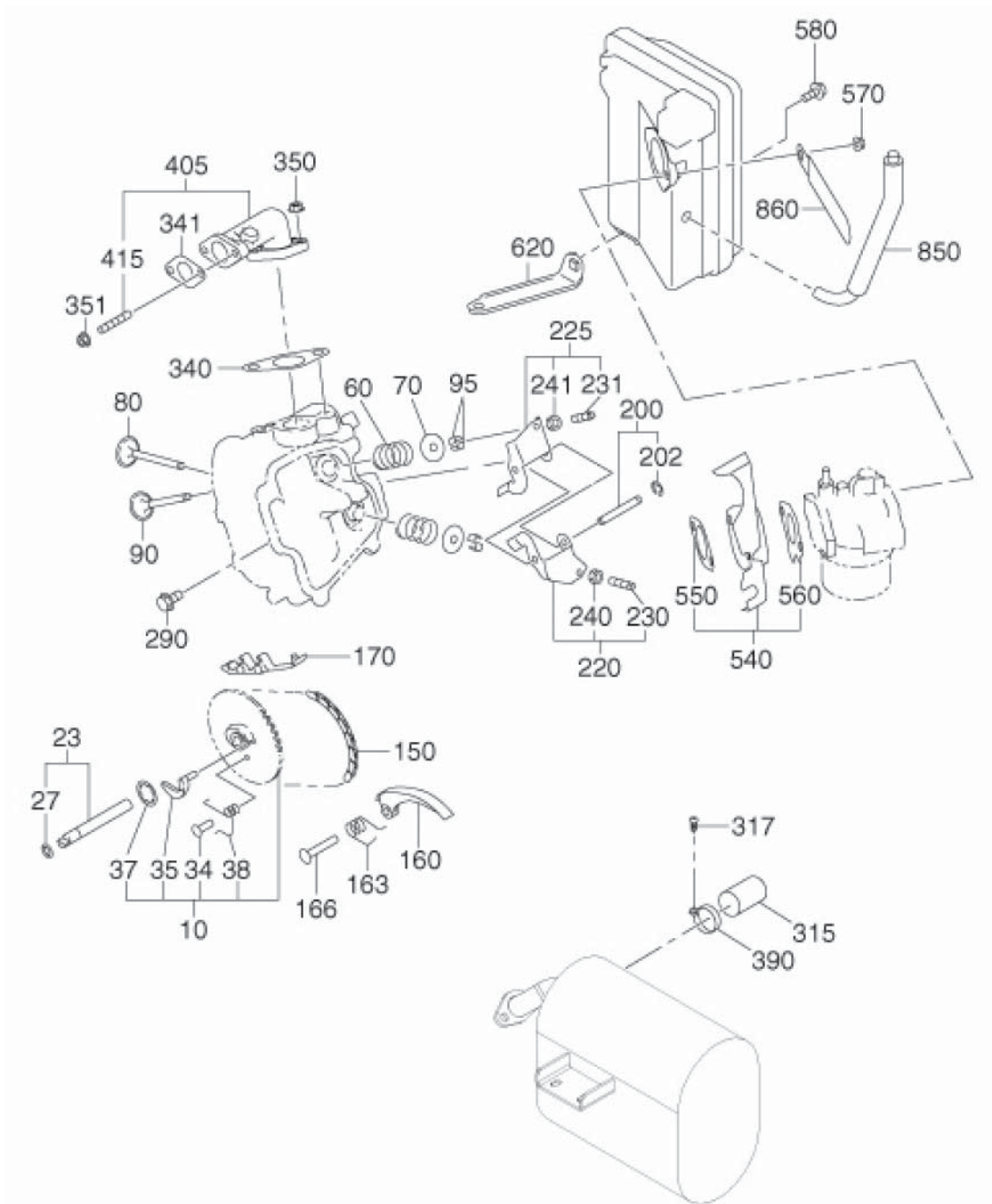


FIG. 3 INTAKE and EXHAUST GROUP

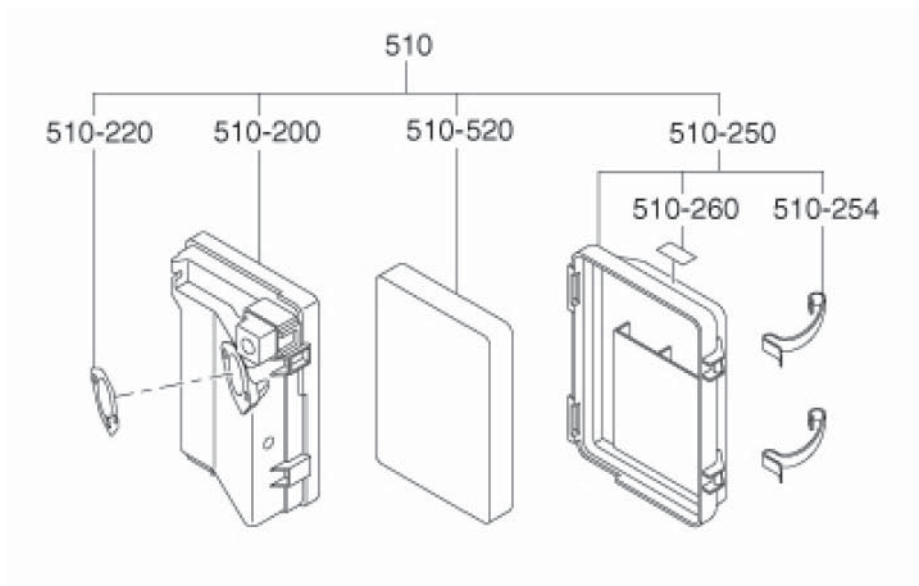


FIG. 4 **GOVERNOR GROUP**

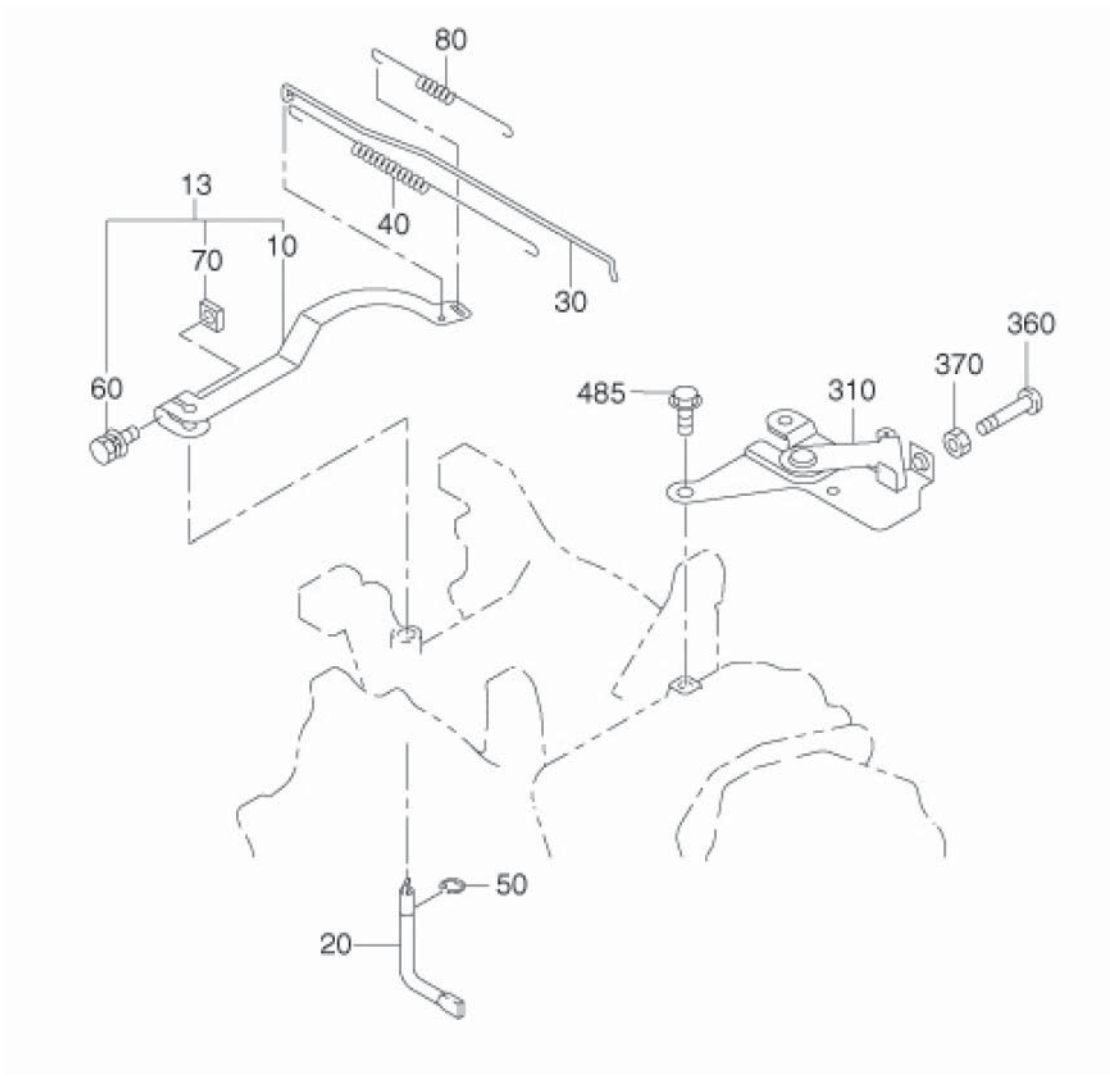


FIG. 5 COOLING and STARTING GROUP

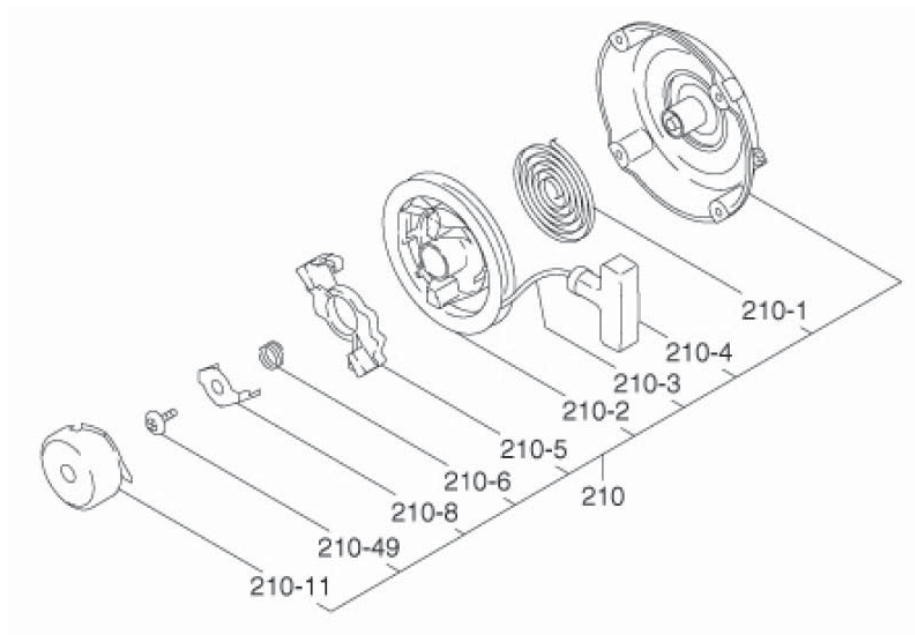
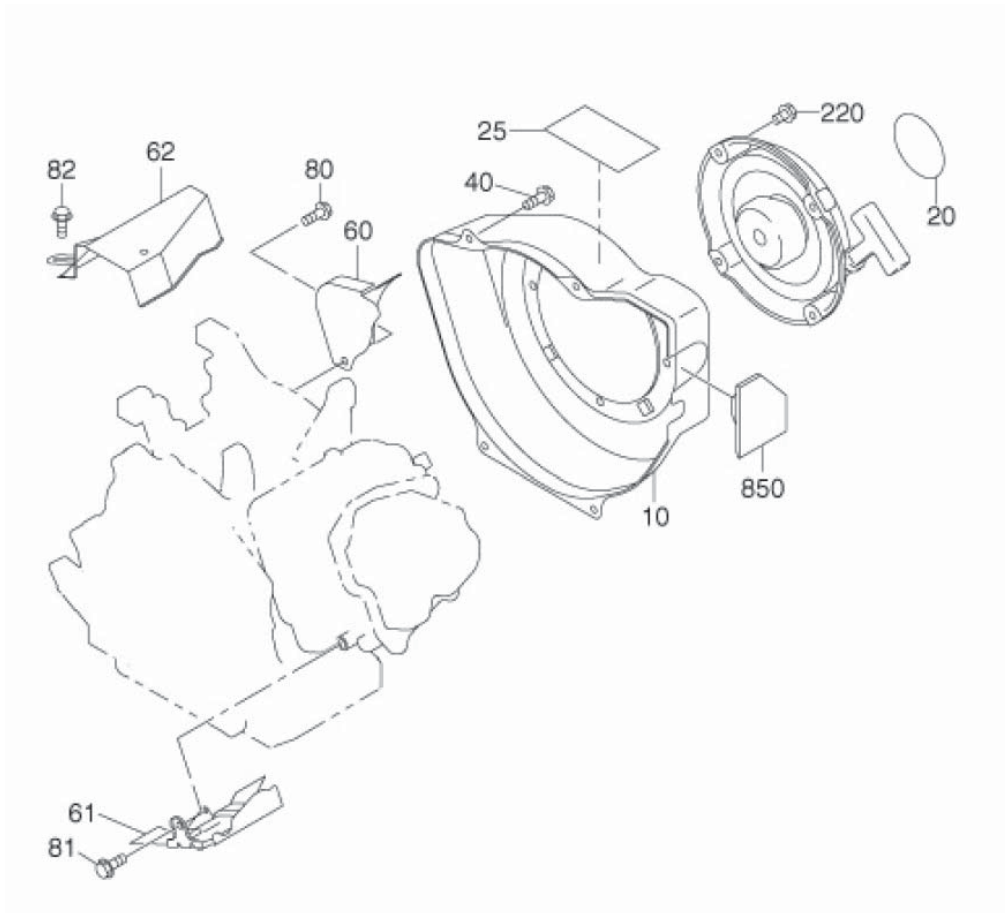


FIG. 6 FUEL LUBRICANT GROUP

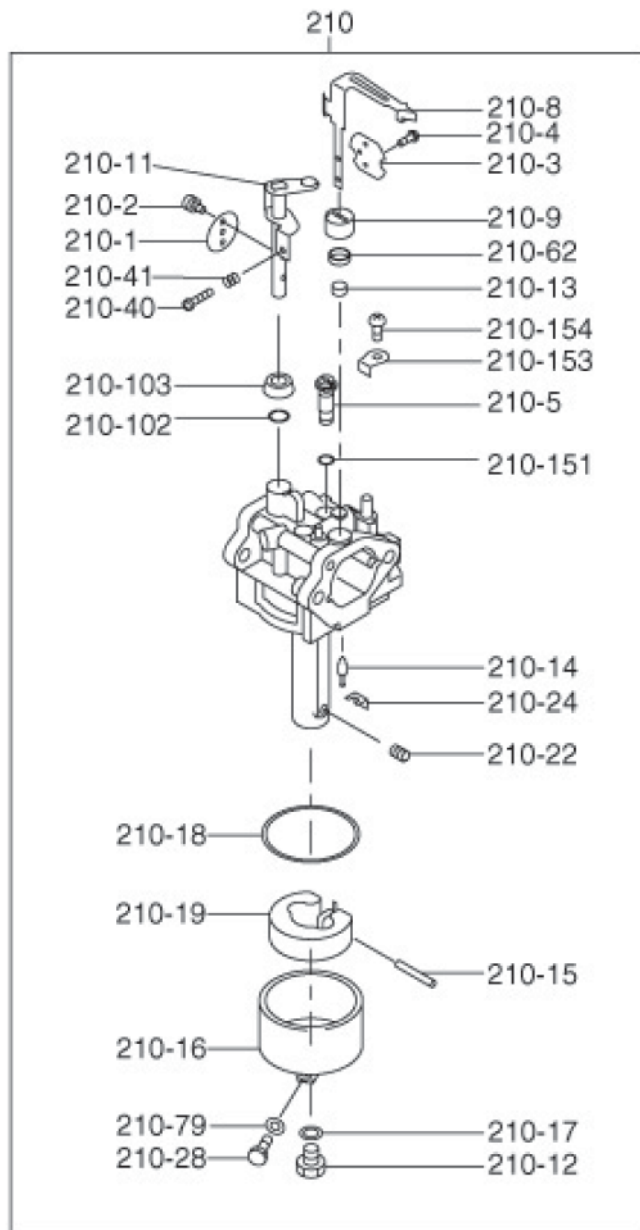


FIG. 7 ELECTRIC GROUP

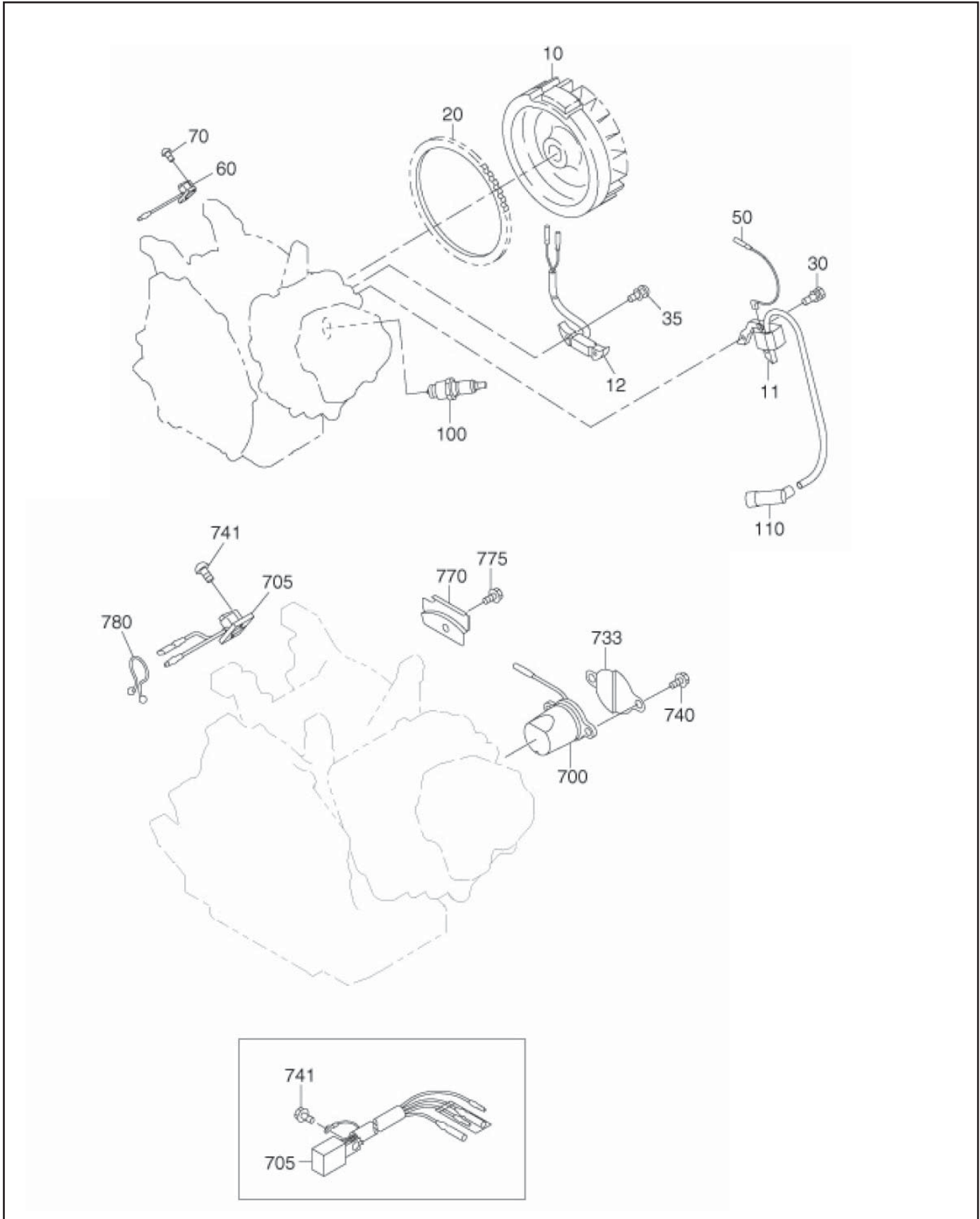


FIG. 22 GROUP

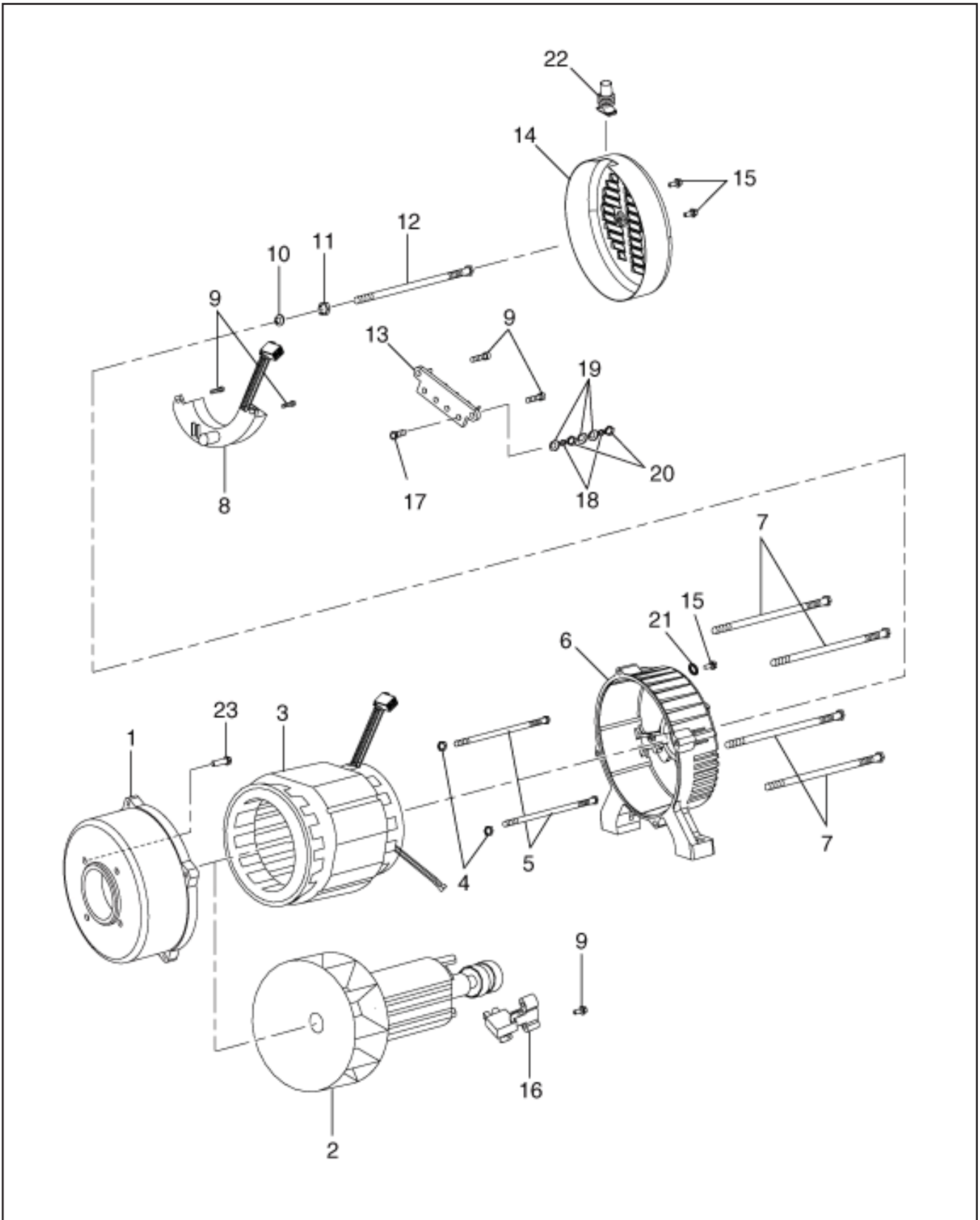


FIG. 23 GROUP

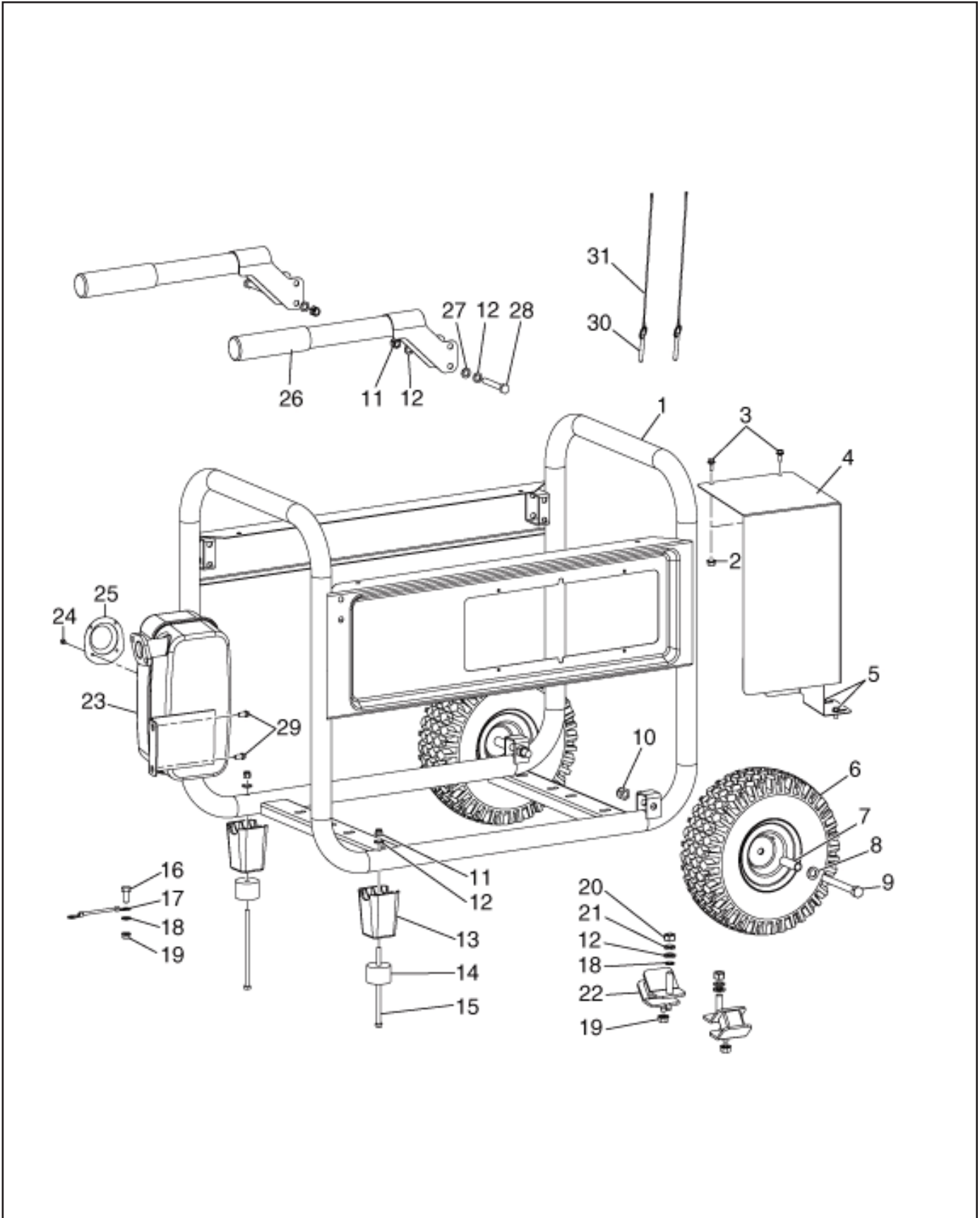


FIG. 24 GROUP

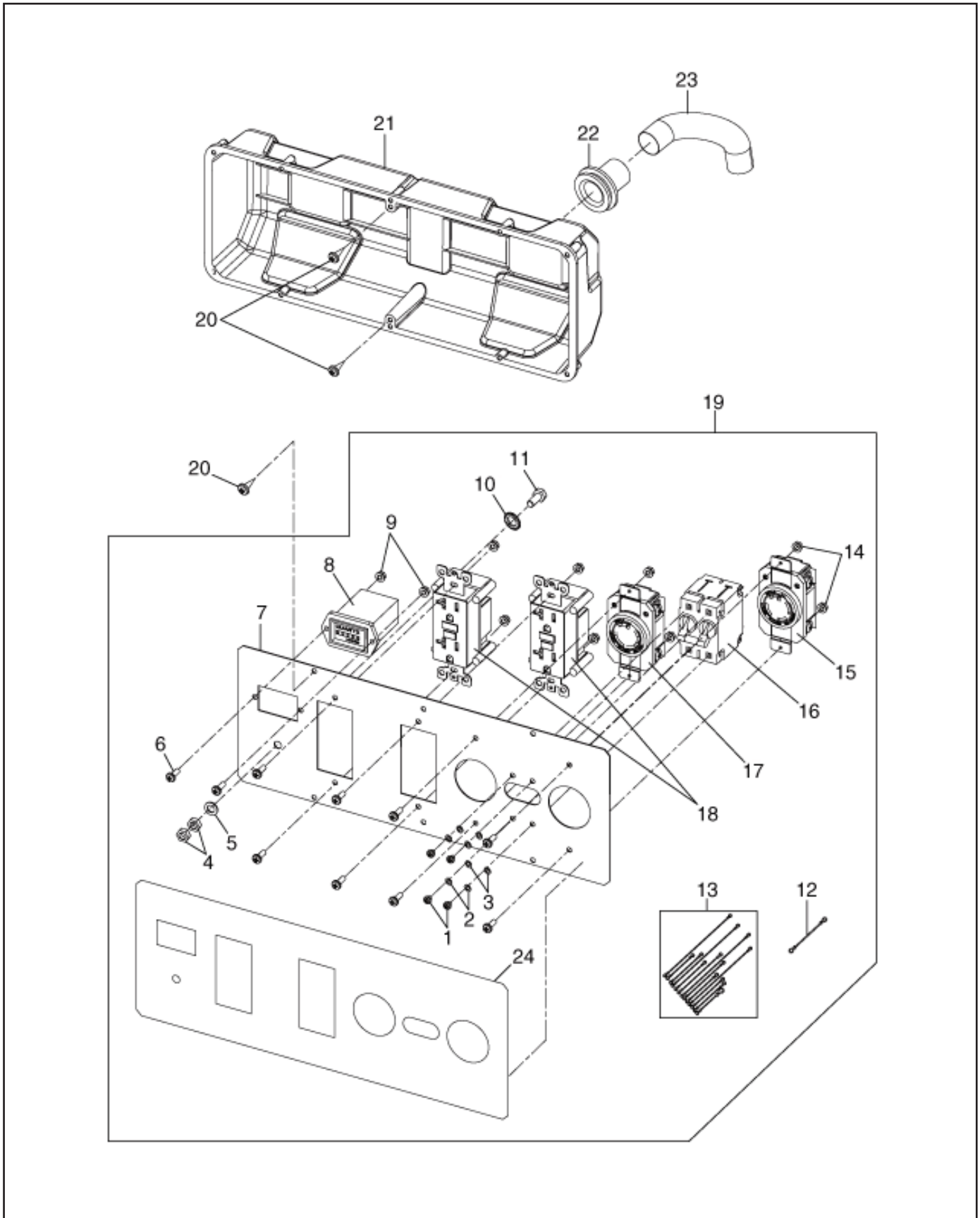


FIG. 26 GROUP

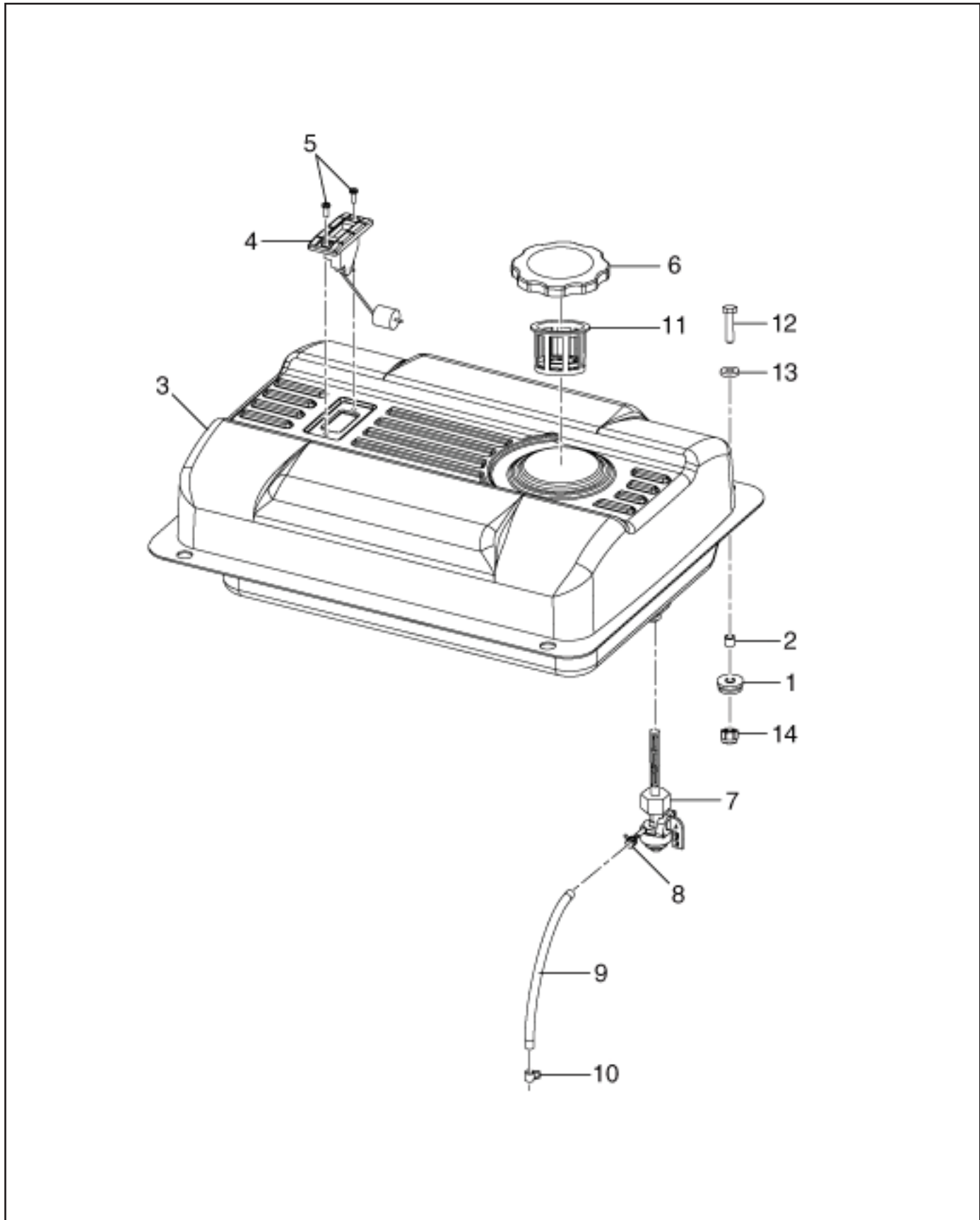
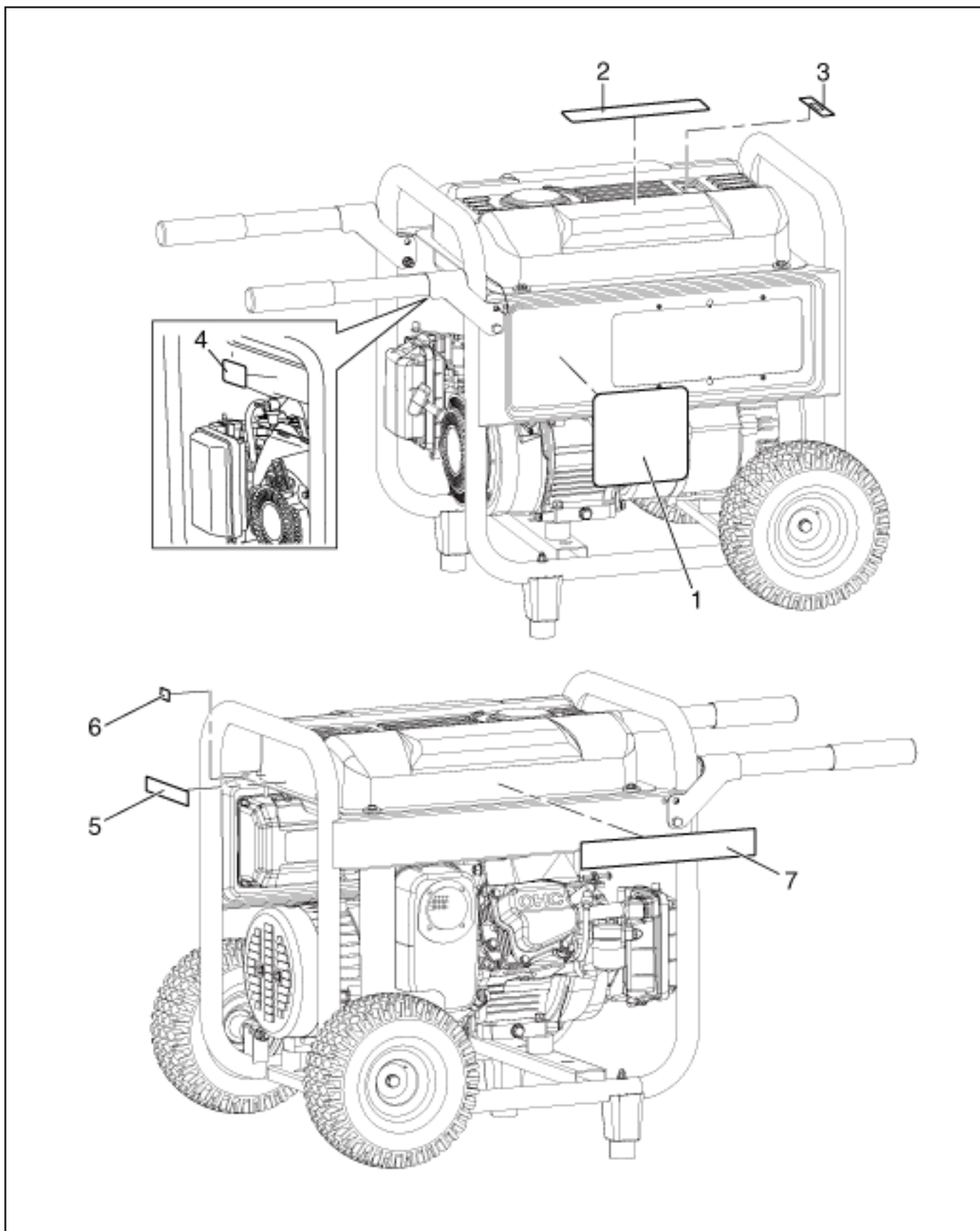


FIG. 29 GROUP



PRINTED IN THE USA

Robin America, Inc

905 Telsler Road • Lake Zurich, IL 60047
Phone: 847-540-7300 • Fax: 847-438-5012
e-mail: sales@subarupower.com • www.subarupower.com